



# Round Duct System Accessories

## Round duct accessories



SCHAKO KG  
Steigstraße 25-27  
D-78600 Kolbingen  
Telephone +49 (0) 74 63 - 980 - 0  
Fax +49 (0) 74 63 - 980 - 200  
[info@schako.de](mailto:info@schako.de)  
[schako.com](http://schako.com)

## Round Duct System Accessories RD Accessories

### Contents

<b>Description</b> .....	<b>3</b>
Construction .....	3
Accessories .....	3
Fastening methods .....	3
<b>Models and dimensions</b> .....	<b>4</b>
Dummy pipe (-BLR) .....	4
Pressed bend (-BGE) .....	4
Bent segment (-BSE) .....	4
Push-on rosette (-SRO) .....	5
Straight end cover (-EG) .....	5
Connection sleeve (-MUF) .....	5
Symmetric reduction piece (-USE) .....	6
Asymmetric reduction piece (-UAE) .....	6
T-piece 90° (-ATE) .....	7
<b>Order code BLR</b> .....	<b>8</b>
<b>Order code BGE</b> .....	<b>9</b>
<b>Order code BSE</b> .....	<b>10</b>
<b>Order code SRO</b> .....	<b>11</b>
<b>Order code EG</b> .....	<b>12</b>
<b>Order code MUF</b> .....	<b>13</b>
<b>Order code USE</b> .....	<b>14</b>
<b>Order code UAE</b> .....	<b>15</b>
<b>Order code ATE</b> .....	<b>16</b>
<b>Specification texts</b> .....	<b>17</b>

## Round Duct System Accessories RD Accessories

### Description

In modern architecture, sheet metal and spiral ducts of air-conditioning systems are often incorporated in the design of the room. Emphasis is often placed deliberately on parts of the supply system. In this visible installation of the ventilation ducts, it is a good idea to integrate the air diffusers into the ducts. Accessories such as dummy pipes, end covers and connection sleeves complete the range of our round duct diffusers DBBRR, DSARR, KGRR and WGARR.

### Construction

Dummy pipe (-BLR)

- Galvanised sheet steel (-SV-0000)
- Sheet steel painted to RAL colour 9010 (white, standard) (-SB-9010)
- Sheet steel painted to a RAL colour of your choice (-SB-xxxx)

Pressed bend (-BGE) (only available for up to NW315)

- Galvanised sheet steel (-SV-0000)
- Sheet steel painted to RAL colour 9010 (white, standard) (-SB-9010)
- Sheet steel painted to a RAL colour of your choice (-SB-xxxx)

Bent segment (-BSE) (only available from NW355)

- Galvanised sheet steel (-SV-0000)
- Sheet steel painted to RAL colour 9010 (white, standard) (-SB-9010)
- Sheet steel painted to a RAL colour of your choice (-SB-xxxx)

Push-on rosette (-SRO)

- Galvanised sheet steel (-SV-0000)
- Sheet steel painted to RAL colour 9010 (white, standard) (-SB-9010)
- Sheet steel painted to a RAL colour of your choice (-SB-xxxx)

Straight end cover (-EG)

- Galvanised sheet steel (-SV-0000)
- Sheet steel painted to RAL colour 9010 (white, standard) (-SB-9010)
- Sheet steel painted to a RAL colour of your choice (-SB-xxxx)

Connection sleeve (-MUF)

- Galvanised sheet steel (-SV-0000)
- Sheet steel painted to RAL colour 9010 (white, standard) (-SB-9010)
- Sheet steel painted to a RAL colour of your choice (-SB-xxxx)

Asymmetric reduction piece (-UAE)

- Galvanised sheet steel (-SV-0000)
- Sheet steel painted to RAL colour 9010 (white, standard) (-SB-9010)

- Sheet steel painted to a RAL colour of your choice (-SB-xxxx)

Symmetric reduction piece (-USE)

- Galvanised sheet steel (-SV-0000)
- Sheet steel painted to RAL colour 9010 (white, standard) (-SB-9010)
- Sheet steel painted to a RAL colour of your choice (-SB-xxxx)

T-piece 90° (-ATE)

- Galvanised sheet steel (-SV-0000)
- Sheet steel painted to RAL colour 9010 (white, standard) (-SB-9010)
- Sheet steel painted to a RAL colour of your choice (-SB-xxxx)

### Accessories

- Rubber lip seal (-GD0/ -GD1)
  - without rubber lip seal (-GD0) (standard)
  - with rubber lip seal (-GD1), on both sides, made of EPDM

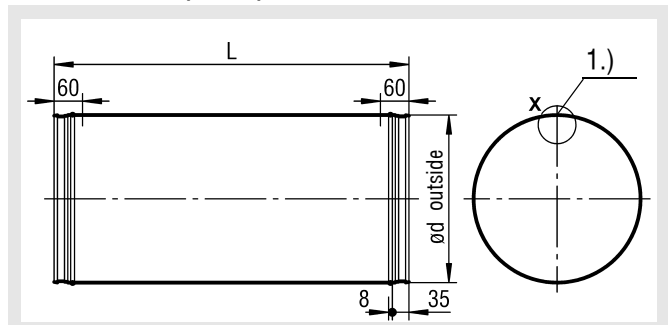
### Fastening methods

- Fastening hole (-B0/ -BB)
  - without fastening hole (-B0)
  - with fastening hole  $\varnothing 11.5$  mm (-BB, standard)
 Prepared for suspended installation by using an M8 threaded rod and an M8 nut to be provided on site.

## Round Duct System Accessories RD Accessories

### Models and dimensions

#### Dummy pipe (-BLR)



1.) Fastening hole  $\varnothing 11.5$  mm (standard)

Dummy pipe available in the same dimensions as the diffuser for round duct.

#### Available sizes

NW	$\varnothing d$
200	198
224	222
250	248
280	278
315	313
355	353
400	398
450	448
500	498
560	558
630	628

Length L
500
750
1000
1500
1750
2000

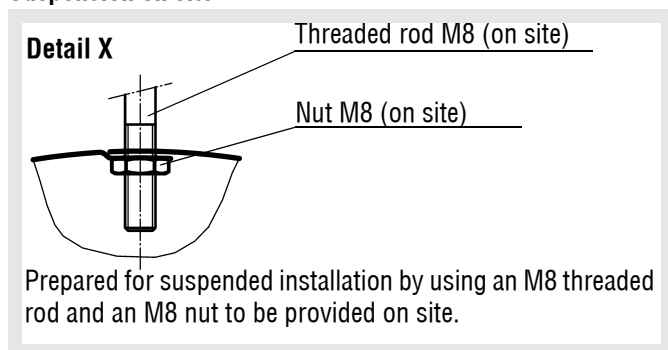
NW 560 and NW 630 not possible in combination with RR-Complete.

#### Mounting (dummy pipe)

##### Fastening hole (-B0 / -BB)

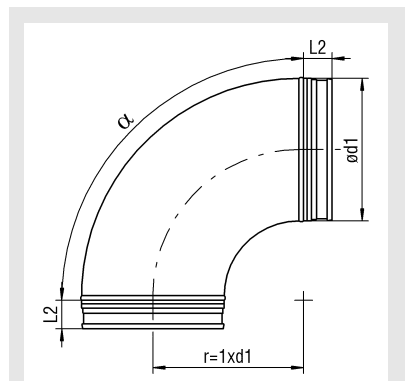
- without fastening hole (-B0)
- with fastening hole  $\varnothing 11.5$  mm (-BB, standard)

#### Suspension on site



#### Pressed bend (-BGE)

to DIN EN 1506



$a = 30^\circ / 45^\circ / 90^\circ$   
available up to  $\varnothing 315$  mm ( $\varnothing d1$ )

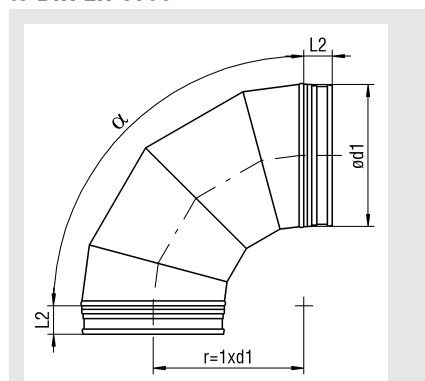
Bends with different degree figures will be supplied as bent segments.

#### Available sizes BGE

$\varnothing d1$ [mm]	L2 [mm]
200	40
224	40
250	60
280	60
315	60

#### Bent segment (-BSE)

to DIN EN 1506



$a = 15^\circ / 30^\circ / 45^\circ / 60^\circ / 90^\circ$   
available from  $\varnothing 355$  to  $\varnothing 630$  mm ( $\varnothing d1$ )

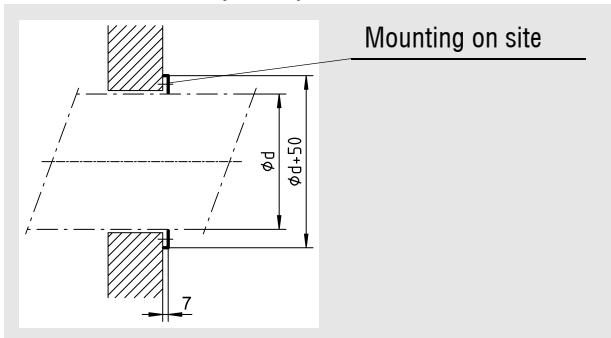
#### Available sizes BSE

$\varnothing d1$ [mm]	L2 [mm]
355	60
400	80
450	80
500	80
560	80
630	80

NW 560 and NW 630 not possible in combination with RR-Complete.

## Round Duct System Accessories RD Accessories

### Push-on rosette (-SRO)



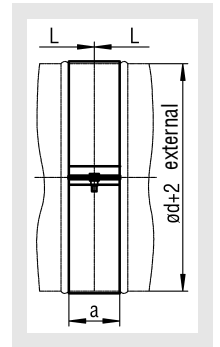
#### Available sizes

NW	$\phi d$
200	198
224	222
250	248
280	278
315	313
355	353
400	398
450	448
500	498
560	558
630	628

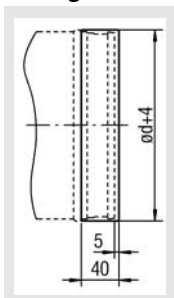
NW 560 and NW 630 not possible in combination with RR-Complete.

### Connection sleeve (-MUF)

- For connection of round pipe/dummy pipe with round pipe/dummy pipe:
  - $a = 70$  mm (standard)
- For connection of round pipe/dummy pipe with connecting piece:
  - $\phi D = 200-224$ :  $a = 75$  mm
  - $\phi D = 250-355$ :  $a = 95$  mm
  - $\phi D = 400-630$ :  $a = 115$  mm
- For connection of connecting piece with connecting piece:
  - $\phi D = 200-224$ :  $a = 80$  mm
  - $\phi D = 250-355$ :  $a = 120$  mm
  - $\phi D = 400-630$ :  $a = 160$  mm
- When ordering, the  $a$  dimension must be specified. Unless stated otherwise in the order, the connection sleeve will be delivered with the standard  $a$  dimension of 70 mm.
- The connection sleeve is not an airtight connection of the pipes. In order to achieve an airtight connection, sealing must take place on-site or a rubber lip seal (-GD1) at the round duct must be ordered at an extra charge.
- NW 560 and NW 630 not possible in combination with RR-Complete.



### Straight end cover (-EG)



End piece for mounting to round duct diffusers, dummy pipes and connecting pieces.

#### Available sizes

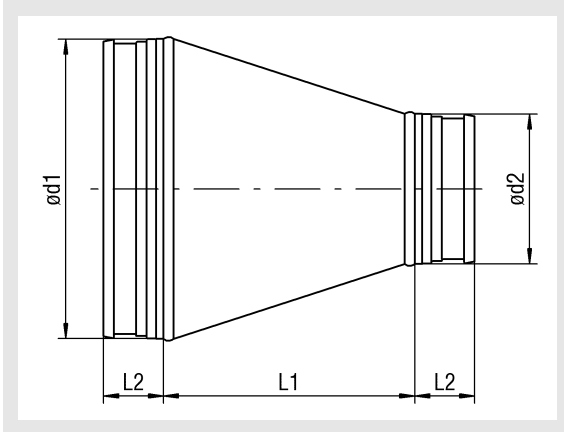
NW	$\phi d$
200	198
224	222
250	248
280	278
315	313
355	353
400	398
450	448
500	498
560	558
630	628

NW 560 and NW 630 not possible in combination with RR-Complete.

## Round Duct System Accessories RD Accessories

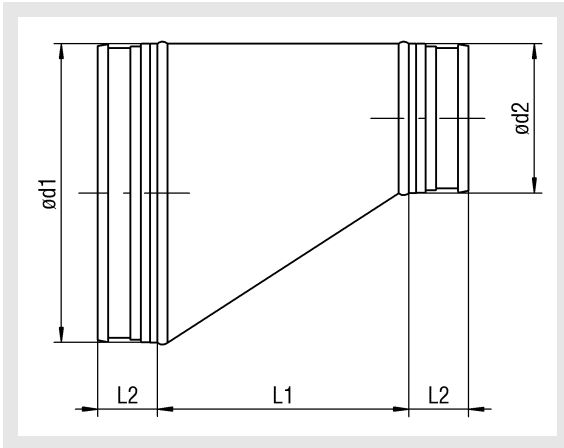
### Symmetric reduction piece (-USE)

to DIN EN 1506



### Asymmetric reduction piece (-UAE)

to DIN EN 1506



### Available sizes USE/UAE

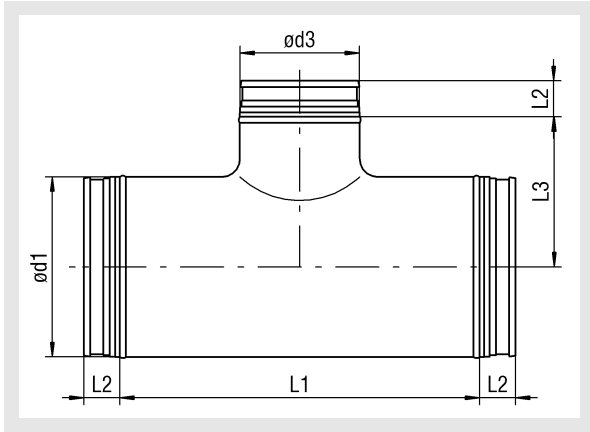
$\varnothing d1$ - $\varnothing d2$	L1 [mm]
224-200	63
250-200	99
280-200	140
315-200	188
315-250	119
355-250	174
400-250	241
400-315	152
450-280	269
450-315	220
500-315	289
500-400	177
560-400	260
560-450	191
630-450	287
630-500	219

NW 560 and NW 630 not possible in combination with RR-Complete.

Inserted length	
$\varnothing d1$ - $\varnothing d2$ [mm] or $\varnothing d1$ - $\varnothing d3$ [mm]	L2 [mm]
$\varnothing 200$ - $\varnothing 224$	40
$\varnothing 250$ - $\varnothing 355$	60
$\varnothing 400$ - $\varnothing 630$	80

## Round Duct System Accessories RD Accessories

### T-piece 90 ° (-ATE) to DIN EN 1506



ød1-ød3 [mm]	L1 [mm]	L3 [mm]
450-500	680	315
500-200	330	315
500-250	380	315
500-315	465	325
500-400	570	335
500-500	680	340
500-630	810	340
560-250	380	345
560-315	465	355
560-400	570	365
560-560	740	370
630-315	465	390
630-400	570	400
630-500	680	405
630-630	810	405

#### Available sizes

ød1-ød3 [mm]	L1 [mm]	L3 [mm]
200-200	330	165
200-250	380	165
200-315	465	175
224-224	355	180
224-250	380	180
224-315	465	190
250-200	330	190
250-250	380	190
250-315	465	200
250-400	570	210
280-200	330	205
280-280	430	215
280-400	570	225
315-200	330	225
315-250	380	225
315-315	465	235
315-400	570	245
315-500	680	250
355-200	330	245
355-250	380	245
355-315	465	255
355-355	525	255
355-500	680	270
400-200	330	265
400-250	380	265
400-315	465	275
400-400	570	285
400-500	680	290
450-250	380	290
450-315	465	300
450-450	620	310

## Round Duct System Accessories RD Accessories

### Order code BLR

01	02	03	04	05	06	07
Type	Nominal width	Length	Material	Paint	Rubber lip seal	Fastening methods
Example						
BLR	-200	-1000	-SB	-9010	-GD0	-BB

All fields must be filled when ordering.

#### Sample

#### **BLR-200-1000-SB-9010-GD0-BB**

Dummy pipe | nominal width 200 mm | length 1000 mm | sheet steel | painted to RAL colour 9010 (white) | without rubber lip seal | with fastening hole  $\varnothing$ 11.5 mm

#### Order details

##### 01 - Type

BLR = Dummy pipe

##### 02 – Nominal width

200 = NW 200 mm  
 224 = NW 224 mm  
 250 = NW 250 mm  
 280 = NW 280 mm  
 315 = NW 315 mm  
 355 = NW 355 mm  
 400 = NW 400 mm  
 450 = NW 450 mm  
 500 = NW 500 mm  
 560 = NW 560 mm  
 630 = NW 630 mm

##### 03 - Length

0500 = 500 mm (1-part)  
 0750 = 750 mm (1-part)  
 1000 = 1000 mm (1-part)  
 1500 = 1500 mm (2-part)  
 1750 = 1750 mm (2-part)  
 2000 = 2000 mm (2-part)

##### 04 - Material

SB = sheet steel (standard, only possible with paint)  
 SV = galvanised sheet steel

##### 05 - Paint

0000 = Without paint (only possible for SV)  
 9010 = RAL colour 9010 (white, standard)  
 xxxx = RAL colour can be freely selected (always with 4 digits)

##### 06 - Rubber lip seal

GD0 = without rubber lip seal (standard)  
 GD1 = with rubber lip seal

##### 07 - Fastening methods

B0 = without fastening hole  
 BB = with fastening hole  $\varnothing$ 11.5 mm (standard)



## Round Duct System Accessories RD Accessories

### Order code BGE

01	02	03	04	05	06
Type	Nominal width	Angle a	Material	Paint	Rubber lip seal
<b>Example</b>					
BGE	-200	-30	-SB	-9010	-GD0

All fields must be filled when ordering.

#### Sample

#### **BGE-200-30-SB-9010-GD0**

Pressed bend | nominal width 200 mm | 30° angle | sheet steel | painted to RAL colour 9010 (white) | without rubber lip seal

#### Order details

##### 01 - Type

BGE = Pressed bend

##### 02 - Nominal width

200 = NW 200 mm  
 224 = NW 224 mm  
 250 = NW 250 mm  
 280 = NW 280 mm  
 315 = NW 315 mm

##### 03- Angle a

30 = 30°  
 45 = 45°  
 90 = 90°

##### 04 - Material

SB = sheet steel (standard, only possible with paint)  
 SV = galvanised sheet steel

##### 05 - Paint

0000 = Without paint (only possible for SV)  
 9010 = RAL colour 9010 (white, standard)  
 xxxx = RAL colour can be freely selected (always with 4 digits)

##### 06 - Rubber lip seal

GD0 = without rubber lip seal (standard)  
 GD1 = with rubber lip seal

## Round Duct System Accessories RD Accessories

### Order code BSE

01	02	03	04	05	06
Type	Nominal width	Angle a	Material	Paint	Rubber lip seal
<b>Example</b>					
BSE	-400	-30	-SB	-9010	-GD0

All fields must be filled when ordering.

#### Sample

#### **BSE-400-30-SB-9010-GD0**

Segmented bend | nominal width 400 mm | 30° angle | sheet steel | painted to RAL colour 9010 (white) | without rubber lip seal

#### Order details

##### 01 - Type

BSE = Segmented bend

##### 02 – Nominal width

355 = NW 355 mm  
 400 = NW 400 mm  
 450 = NW 450 mm  
 500 = NW 500 mm  
 560 = NW 560 mm  
 630 = NW 630 mm

##### 03- Angle a

15 = 15°  
 30 = 30°  
 45 = 45°  
 60 = 60°  
 90 = 90°

##### 04 - Material

SB = sheet steel (standard, only possible with paint)  
 SV = galvanised sheet steel

##### 05 - Paint

0000 = Without paint (only possible for SV)  
 9010 = RAL colour 9010 (white, standard)  
 xxxx = RAL colour can be freely selected (always with 4 digits)

##### 06 - Rubber lip seal

GD0 = without rubber lip seal (standard)  
 GD1 = with rubber lip seal

## Round Duct System Accessories RD Accessories

### Order code SRO

01	02	03	04
Type	Nominal width	Material	Paint
<b>Example</b>			
SRO	-200	-SB	-9010

All fields must be filled when ordering.

#### Sample

#### **SRO-200-SB-9010**

Push-on rosette | nominal width 200 mm | sheet steel | painted to RAL colour 9010 (white)

#### Order details

##### 01 - Type

SRO = Push-on rosette

##### 02 - Nominal width

200 = NW 200 mm  
 224 = NW 224 mm  
 250 = NW 250 mm  
 280 = NW 280 mm  
 315 = NW 315 mm  
 355 = NW 355 mm  
 400 = NW 400 mm  
 450 = NW 450 mm  
 500 = NW 500 mm  
 560 = NW 560 mm  
 630 = NW 630 mm

##### 03 - Material

SB = sheet steel (standard, only possible with paint)  
 SV = galvanised sheet steel

##### 04 - Paint

0000 = Without paint (only possible for SV)  
 9010 = RAL colour 9010 (white, standard)  
 xxxx = RAL colour can be freely selected (always with 4 digits)

## Round Duct System Accessories RD Accessories

### Order code EG

01	02	03	04
Type	Nominal width	Material	Paint
<b>Example</b>			
EG	-200	-SB	-9010

All fields must be filled when ordering.

#### Sample

##### EG-200-SB-9010

Straight end cover | nominal width 200 mm | sheet steel | painted to RAL colour 9010 (white)

#### Order details

##### 01 - Type

EG = Straight end cover

##### 02 - Nominal width

200 = NW 200 mm  
 224 = NW 224 mm  
 250 = NW 250 mm  
 280 = NW 280 mm  
 315 = NW 315 mm  
 355 = NW 355 mm  
 400 = NW 400 mm  
 450 = NW 450 mm  
 500 = NW 500 mm  
 560 = NW 560 mm  
 630 = NW 630 mm

##### 03 - Material

SB = sheet steel (standard, only possible with paint)  
 SV = galvanised sheet steel

##### 04 - Paint

0000 = Without paint (only possible for SV)  
 9010 = RAL colour 9010 (white, standard)  
 xxxx = RAL colour can be freely selected (always with 4 digits)

## Round Duct System Accessories RD Accessories

### Order code MUF

01	02	03	04	05
Type	Nominal width	Width	Material	Paint
<b>Example</b>				
MUF	-200	-070	-SB	-9010

All fields must be filled when ordering.

#### Sample

#### **MUF-200-70-SB-9010**

Connection sleeve | nominal width 200 mm | width 70 mm | sheet steel | painted to RAL colour 9010 (white)

#### Order details

##### 01 - Type

MUF = Connection sleeve

##### 02 - Nominal width

200 = NW 200 mm  
 224 = NW 224 mm  
 250 = NW 250 mm  
 280 = NW 280 mm  
 315 = NW 315 mm  
 355 = NW 355 mm  
 400 = NW 400 mm  
 450 = NW 450 mm  
 500 = NW 500 mm  
 560 = NW 560 mm  
 630 = NW 630 mm

##### 03 - Width

070 = 70 mm (connecting round pipe/round pipe, dummy pipe/dummy pipe)  
 075 = 75 mm (connecting round pipe/dummy pipe with connecting piece d200-d224)  
 080 = 80 mm (connecting connecting piece/connecting piece d200-d224)  
 095 = 95 mm (connecting round pipe/dummy pipe with connecting piece d250-d355)  
 115 = 115 mm (connecting round pipe/dummy pipe with connecting piece d400-d500)  
 120 = 120 mm (connecting connecting piece/connecting piece d250-d355)  
 160 = 160 mm (connecting connecting piece/connecting piece d400-d500)

##### 04 - Material

SB = sheet steel (standard, only possible with paint)  
 SV = galvanised sheet steel

##### 05 - Paint

0000 = Without paint (only possible for SV)  
 9010 = RAL colour 9010 (white, standard)  
 xxxx = RAL colour can be freely selected (always with 4 digits)

## Round Duct System Accessories RD Accessories

### Order code USE

01	02	03	04	05
Type	Nominal width	Material	Paint	Rubber lip seal
<b>Example</b>				
USE	-250-200	-SB	-9010	-GDO

All fields must be filled when ordering.

#### Sample

#### **USE-250-200-SB-9010-GDO**

Symmetric reduction piece | nominal width 250-200 mm | sheet steel | painted to RAL colour 9010 (white) | without rubber lip seal

#### Order details

##### 01 - Type

USE = Symmetric reduction piece

##### 02 - Nominal width

224-200 = NW 224-200 mm  
 250-200 = NW 250-200 mm  
 280-200 = NW 280-200 mm  
 315-200 = NW 315-200 mm  
 315-250 = NW 315-250 mm  
 355-250 = NW 355-250 mm  
 400-250 = NW 400-250 mm  
 400-315 = NW 400-315 mm  
 450-280 = NW 450-280 mm  
 450-315 = NW 450-315 mm  
 500-315 = NW 500-315 mm  
 500-400 = NW 500-400 mm  
 560-400 = NW 560-400 mm  
 560-450 = NW 560-450 mm  
 630-450 = NW 630-450 mm  
 630-500 = NW 630-500 mm

##### 03 - Material

SB = sheet steel (standard, only possible with paint)  
 SV = galvanised sheet steel

##### 04 - Paint

0000 = Without paint (only possible for SV)  
 9010 = RAL colour 9010 (white, standard)  
 xxxx = RAL colour can be freely selected (always with 4 digits)

##### 05 - Rubber lip seal

GDO = without rubber lip seal (standard)  
 GD1 = with rubber lip seal

## Round Duct System Accessories RD Accessories

### Order code UAE

01	02	03	04	05
Type	Nominal width	Material	Paint	Rubber lip seal
<b>Example</b>				
UAE	-250-200	-SB	-9010	-GDO

All fields must be filled when ordering.

#### Sample

#### UAE-250-200-SB-9010-GDO

Asymmetric reduction piece | nominal width 250-200 mm | sheet steel | painted to RAL colour 9010 (white) | without rubber lip seal

### Order details

#### 01 - Type

UAE = Asymmetric reduction piece

#### 02 - Nominal width

224-200 = NW 224-200 mm  
 250-200 = NW 250-200 mm  
 280-200 = NW 280-200 mm  
 315-200 = NW 315-200 mm  
 315-250 = NW 315-250 mm  
 355-250 = NW 355-250 mm  
 400-250 = NW 400-250 mm  
 400-315 = NW 400-315 mm  
 450-280 = NW 450-280 mm  
 450-315 = NW 450-315 mm  
 500-315 = NW 500-315 mm  
 500-400 = NW 500-400 mm  
 560-400 = NW 560-400 mm  
 560-450 = NW 560-450 mm  
 630-450 = NW 630-450 mm  
 630-500 = NW 630-500 mm

#### 03 - Material

SB = sheet steel (standard, only possible with paint)  
 SV = galvanised sheet steel

#### 04 - Paint

0000 = Without paint (only possible for SV)  
 9010 = RAL colour 9010 (white, standard)  
 xxxx = RAL colour can be freely selected (always with 4 digits)

#### 05 - Rubber lip seal

GDO = without rubber lip seal (standard)  
 GD1 = with rubber lip seal

## Round Duct System Accessories RD Accessories

### Order code ATE

01	02	03	04	05
Type	Nominal width	Material	Paint	Rubber lip seal
<b>Example</b>				
ATE	-250-200	-SB	-9010	-GD0

All fields must be filled when ordering.

#### Sample

#### ATE-250-200-SB-9010-GD0

T-piece | nominal width 250-200 mm | sheet steel | painted to RAL colour 9010 (white) | without rubber lip seal

#### Order details

##### 01 - Type

ATE = T-piece

##### 02 - Nominal width

200-200 = NW 200-200 mm  
 200-250 = NW 200-250 mm  
 200-315 = NW 200-315 mm  
 224-224 = NW 224-224 mm  
 224-250 = NW 224-250 mm  
 224-315 = NW 224-315 mm  
 250-200 = NW 250-200 mm  
 250-250 = NW 250-250 mm  
 250-315 = NW 250-315 mm  
 250-400 = NW 250-400 mm  
 280-200 = NW 280-200 mm  
 280-280 = NW 280-280 mm  
 280-400 = NW 280-400 mm  
 315-200 = NW 315-200 mm  
 315-250 = NW 315-250 mm  
 315-315 = NW 315-315 mm  
 315-400 = NW 315-400 mm  
 315-500 = NW 315-500 mm  
 355-200 = NW 355-200 mm  
 355-250 = NW 355-250 mm  
 355-315 = NW 355-315 mm  
 355-355 = NW 355-355 mm  
 355-500 = NW 355-500 mm  
 400-200 = NW 400-200 mm  
 400-250 = NW 400-250 mm  
 400-315 = NW 400-315 mm  
 400-400 = NW 400-400 mm  
 400-500 = NW 400-500 mm  
 450-250 = NW 450-250 mm  
 450-315 = NW 450-315 mm  
 450-450 = NW 450-450 mm  
 450-500 = NW 450-500 mm

500-200 = NW 500-200 mm  
 500-250 = NW 500-250 mm  
 500-315 = NW 500-315 mm  
 500-400 = NW 500-400 mm  
 500-500 = NW 500-500 mm  
 500-630 = NW 500-630 mm  
 560-250 = NW 560-250 mm  
 560-315 = NW 560-315 mm  
 560-400 = NW 560-400 mm  
 560-560 = NW 560-560 mm  
 630-315 = NW 630-315 mm  
 630-400 = NW 630-400 mm  
 630-500 = NW 630-500 mm  
 630-630 = NW 630-630 mm

##### 03 - Material

SB = sheet steel (standard, only possible with paint)  
 SV = galvanised sheet steel

##### 04 - Paint

0000 = Without paint (only possible for SV)  
 9010 = RAL colour 9010 (white, standard)  
 xxxx = RAL colour can be freely selected (always with 4 digits)

##### 05 - Rubber lip seal

GD0 = without rubber lip seal (standard)  
 GD1 = with rubber lip seal



## Round Duct System Accessories RD Accessories

### Specification texts

- Dummy pipe (-BLR)
- Pressed bend (-BGE)
- Bent segment (-BSE)
- Symmetric reduction piece (-USE)
- Asymmetric reduction piece (-UAE)
- T-piece 90° (-ATE)
- Push-on rosette (SRO)
- Straight end cover (-EG)
- Connection sleeve (-MUF)

Dummy pipe BLR according to DIN EN1506, suitable for connection to DIN ducts.

Product: SCHAKO **type BLR-...**

- **Nominal width:**
  - NW 200 (-200)
  - NW 224 (-224)
  - NW 250 (-250)
  - NW 280 (-280)
  - NW 315 (-315)
  - NW 355 (-355)
  - NW 400 (-400)
  - NW 450 (-450)
  - NW 500 (-500)
- **Length:**
  - 1-part:  
500 mm / 750 mm / 1000 mm (-0500 / -0750 / -1000).
  - 2-part:  
1500 mm / 1750 mm / 2000 mm (-1500 / -1750 / -2000).
- **Material and paint:**
  - Galvanised sheet steel (-SV-000) (at an extra charge).
  - Sheet steel (-SB-...):
    - painted to the RAL colour 9010 (white, standard) (-9010).
    - painted to a freely selectable RAL colour (-xxxx, always with 4 digits).
- **Fastening methods:**
  - without fastening hole (-B0).
  - with fastening hole  $\varnothing 11.5$  (-BB, standard). (Prepared for suspended installation by using an M8 threaded rod and an M8 nut to be provided on site.)

**Accessories** (at an extra charge):

- Rubber lip seal:
  - without rubber lip seal (-GD0) (standard).
  - with rubber lip seal (-GD1), on both sides, made of EPDM.

Pressed bend BGE, according to DIN EN1506, suitable for connection to DIN ducts.

Product: SCHAKO **type BGE-...**

- **Nominal width:**
  - NW 200 (-200)
  - NW 224 (-224)
  - NW 250 (-250)
  - NW 280 (-280)
  - NW 315 (-315)
- **Angle:**
  - Angle 30° (-30).
  - Angle 45° (-45).
  - Angle 90° (-90).

Bends with different degree figures ( $\alpha$ ) are not available.
- **Material and paint:**
  - Galvanised sheet steel (-SV-000) (at an extra charge).
  - Sheet steel (-SB-...):
    - painted to the RAL colour 9010 (white, standard) (-9010).
    - painted to a freely selectable RAL colour (-xxxx, always with 4 digits).

**Accessories** (at an extra charge):

- Rubber lip seal:
  - without rubber lip seal (-GD0) (standard).
  - with rubber lip seal (-GD1), on both sides, made of EPDM.

## Round Duct System Accessories RD Accessories

Segment bend BSE, according to DIN EN1506, suitable for connection to DIN ducts.

Product: SCHAKO **type BSE**-...

- **Nominal width:**

- NW 355 (-355)
- NW 400 (-400)
- NW 450 (-450)
- NW 500 (-500)

- **Angle:**

- Angle 15° (-15).
- Angle 30° (-30).
- Angle 45° (-45).
- Angle 60° (-60).
- Angle 90° (-90).

Bends with different degree figures ( $\alpha$ ) are not available.

- **Material and paint:**

- Galvanised sheet steel (-SV-000) (at an extra charge).
- Sheet steel (-SB-...):
  - painted to the RAL colour 9010 (white, standard) (-9010).
  - painted to a freely selectable RAL colour (-xxxx, always with 4 digits).

**Accessories** (at an extra charge):

- Rubber lip seal:
  - without rubber lip seal (-GD0) (standard).
  - with rubber lip seal (-GD1), on both sides, made of EPDM.

Symmetric reduction piece USE, according to DIN EN1506, suitable for connection to DIN ducts.

Product: SCHAKO **type USE**-...

- **Nominal width:**

- NW 224-200 (-224-200)
- NW 250-200 (-250-200)
- NW 280-200 (-280-200)
- NW 315-200 (-315-200)
- NW 315-250 (-315-250)
- NW 355-250 (-355-250)
- NW 400-250 (-400-250)
- NW 400-315 (-400-315)
- NW 450-280 (-450-280)
- NW 450-315 (-450-315)
- NW 500-315 (-500-315)
- NW 500-400 (-500-400)

- **Material and paint:**

- Galvanised sheet steel (-SV-000) (at an extra charge).
- Sheet steel (-SB-...):
  - painted to the RAL colour 9010 (white, standard) (-9010).
  - painted to a freely selectable RAL colour (-xxxx, always with 4 digits).

**Accessories** (at an extra charge):

- Rubber lip seal:
  - without rubber lip seal (-GD0) (standard).
  - with rubber lip seal (-GD1), on both sides, made of EPDM.

## Round Duct System Accessories RD Accessories

Asymmetric reduction piece UAE, according to DIN EN1506, suitable for connection to DIN ducts.

Product: SCHAKO **type UAE-...**

### - Nominal width:

- NW 224-200 (-224-200)
- NW 250-200 (-250-200)
- NW 280-200 (-280-200)
- NW 315-200 (-315-200)
- NW 315-250 (-315-250)
- NW 355-250 (-355-250)
- NW 400-250 (-400-250)
- NW 400-315 (-400-315)
- NW 450-280 (-450-280)
- NW 450-315 (-450-315)
- NW 500-315 (-500-315)
- NW 500-400 (-500-400)

### - Material and paint:

- Galvanised sheet steel (-SV-000) (at an extra charge).
- Sheet steel (-SB-...):
  - painted to the RAL colour 9010 (white, standard) (-9010).
  - painted to a freely selectable RAL colour (-xxxx, always with 4 digits).

### Accessories (at an extra charge):

- Rubber lip seal:
  - without rubber lip seal (-GD0) (standard).
  - with rubber lip seal (-GD1), on both sides, made of EPDM.

T-piece ATE, according to DIN EN1506, suitable for connection to DIN ducts.

Product: SCHAKO **type ATE-...**

### - Nominal width:

- |                         |                         |
|-------------------------|-------------------------|
| - NW 200-200 (-200-200) | - NW 355-250 (-355-250) |
| - NW 200-250 (-200-250) | - NW 355-315 (-355-315) |
| - NW 200-315 (-200-315) | - NW 355-355 (-355-355) |
| - NW 224-224 (-224-224) | - NW 355-500 (-355-500) |
| - NW 224-250 (-224-250) | - NW 400-200 (-400-200) |
| - NW 224-315 (-224-315) | - NW 400-250 (-400-250) |
| - NW 250-200 (-250-200) | - NW 400-315 (-400-315) |
| - NW 250-250 (-250-250) | - NW 400-400 (-400-400) |
| - NW 250-315 (-250-315) | - NW 400-500 (-400-500) |
| - NW 250-400 (-250-400) | - NW 450-250 (-450-250) |
| - NW 280-200 (-280-200) | - NW 450-315 (-450-315) |
| - NW 280-280 (-280-280) | - NW 450-450 (-450-450) |
| - NW 280-400 (-280-400) | - NW 450-500 (-450-500) |
| - NW 315-200 (-315-200) | - NW 500-200 (-500-200) |
| - NW 315-250 (-315-250) | - NW 500-250 (-500-250) |
| - NW 315-315 (-315-315) | - NW 500-315 (-500-315) |
| - NW 315-400 (-315-400) | - NW 500-400 (-500-400) |
| - NW 315-500 (-315-500) | - NW 500-500 (-500-500) |
| - NW 355-200 (-355-200) |                         |

### - Material and paint:

- Galvanised sheet steel (-SV-000) (at an extra charge).
- Sheet steel (-SB-...):
  - painted to the RAL colour 9010 (white, standard) (-9010).
  - painted to a freely selectable RAL colour (-xxxx, always with 4 digits).

### Accessories (at an extra charge):

- Rubber lip seal:
  - without rubber lip seal (-GD0) (standard).
  - with rubber lip seal (-GD1), on both sides, made of EPDM.

## Round Duct System Accessories RD Accessories

Push-on rosette SRO, suitable for connection to DIN ducts.  
Product: SCHAKO **type SRO-...**

- **Nominal width:**

- NW 200 (-200)
- NW 224 (-224)
- NW 250 (-250)
- NW 280 (-280)
- NW 315 (-315)
- NW 355 (-355)
- NW 400 (-400)
- NW 450 (-450)
- NW 500 (-500)

- **Material and paint:**

- Galvanised sheet steel (-SV-000) (at an extra charge).
- Sheet steel (-SB-...):
  - painted to the RAL colour 9010 (white, standard) (-9010).
  - painted to a freely selectable RAL colour (-xxxx, always with 4 digits).

Straight end cover EG, suitable for connection to DIN ducts.  
Product: SCHAKO **type EG-...**

- **Nominal width:**

- NW 200 (-200)
- NW 224 (-224)
- NW 250 (-250)
- NW 280 (-280)
- NW 315 (-315)
- NW 355 (-355)
- NW 400 (-400)
- NW 450 (-450)
- NW 500 (-500)

- **Material and paint:**

- Galvanised sheet steel (-SV-000) (at an extra charge).
- Sheet steel (-SB-...):
  - painted to the RAL colour 9010 (white, standard) (-9010).
  - painted to a freely selectable RAL colour (-xxxx, always with 4 digits).

Connection sleeve MUF, suitable for connection to DIN ducts.  
Product: SCHAKO **type MUF-...**

- **Nominal width:**

- NW 200 (-200)
- NW 224 (-224)
- NW 250 (-250)
- NW 280 (-280)
- NW 315 (-315)
- NW 355 (-355)
- NW 400 (-400)
- NW 450 (-450)
- NW 500 (-500)

- **Width:**

- 70 mm (-070) (connecting round pipe/round pipe, dummy pipe/dummy pipe).
- 75 mm (-075) (connecting round pipe/dummy pipe with connecting piece d200-d224).
- 80 mm (-080) (connecting connecting piece/connecting piece d200-d224).
- 95 mm (-095) (connecting round pipe/dummy pipe with connecting piece d250-d355).
- 115 mm (-115) (connecting round pipe/dummy pipe with connecting piece d400-d500).
- 120 mm (-120) (connecting connecting piece/connecting piece d250-d355).
- 160 mm (-160) (connecting connecting piece/connecting piece d400-d500).

- **Material and paint:**

- Galvanised sheet steel (-SV-000) (at an extra charge).
- Sheet steel (-SB-...):
  - painted to the RAL colour 9010 (white, standard) (-9010).
  - painted to a freely selectable RAL colour (-xxxx, always with 4 digits).