



## Excess pressure flap UEK



SCHAKO KG  
Steigstraße 25-27  
D-78600 Kolbingen  
Telephone +49 (0) 74 63 - 980 - 0  
Fax +49 (0) 74 63 - 980 - 200  
[info@schako.de](mailto:info@schako.de)  
[schako.com](http://schako.com)

## excess pressure flap UEK

### Contents

<b>Description</b> .....	<b>3</b>
Construction .....	3
Model .....	3
Accessories .....	3
<b>Models and dimensions</b> .....	<b>3</b>
Dimensions .....	3
Dimensions of accessories .....	4
Installation .....	4
<b>Technical data</b> .....	<b>4</b>
Pressure loss and noise level .....	4
<b>Legend</b> .....	<b>4</b>
<b>UEK order code</b> .....	<b>5</b>
<b>Specification texts</b> .....	<b>6</b>

## excess pressure flap UEK

### Description

**Self-opening and -closing** excess pressure flap type UEK with **aluminium blades** (natural aluminium).

For maintenance, service, retrofitting, etc., inspection openings in sufficient number and size must be provided on site.

### Construction

Blades

- aluminium profile (natural aluminium) (-AL).

Frame

- galvanised sheet steel

### Model

- UEK-...-1 - intake-operated
- UEK-...-2 - pressure-operated (standard)

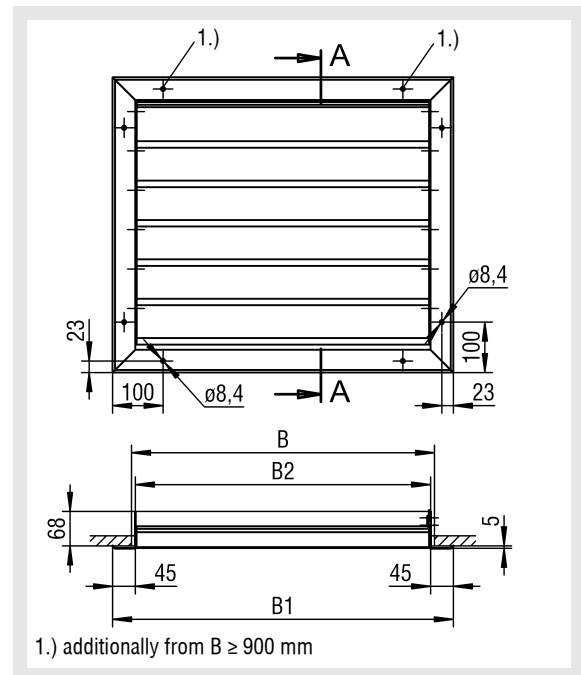
### Accessories

Installation frame (-ER0 / -ER1 / -ER2)

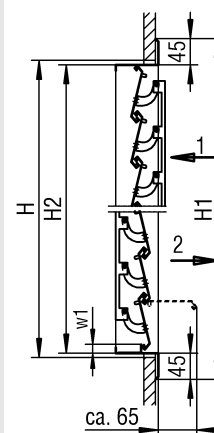
- without installation frame (-ER0) (standard).
- with installation frame made of galvanised sheet steel:
  - without wall anchors (-ER1).
  - with wall anchors (-ER2).

### Models and dimensions

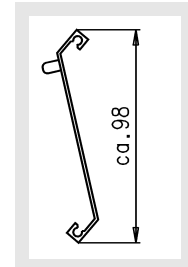
#### Dimensions UEK



#### Section A-A



#### Blade profile



- 1 = suction design
- 2 = pressure design

#### Available sizes

B	B1	B2
0400	475	388
0500	575	488
0600	675	588
0800	875	788
0900	975	888
1000	1075	988

H	H1	H2	w1	w2
0260	335	248	75	60
0345	420	333	85	55
0425	500	413	85	45
0510	585	498	15	40
0675	750	663	25	25
0760	835	748	30	20
0840	915	828	30	10
1005	1080	993	40	40

All combined lengths and widths available!

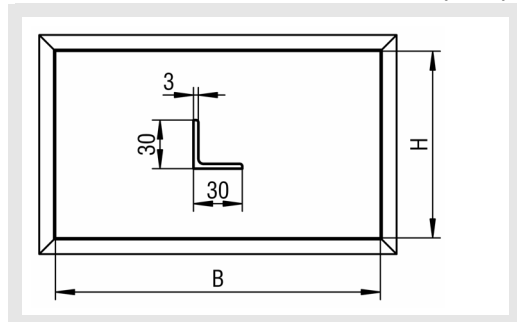
## UEK excess pressure flap

### Accessories - dimensions

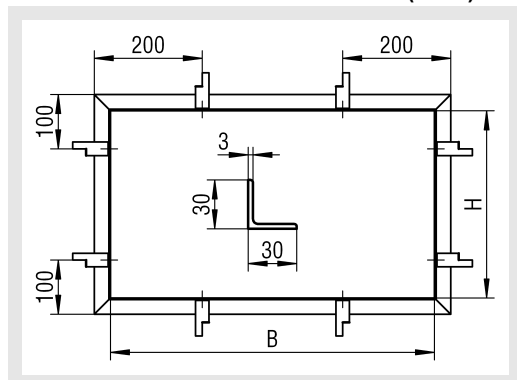
#### Installation frame (-ER0 / -ER1 / -ER2)

- without installation frame (-ER0) (standard).
- with installation frame made of galvanised sheet steel:
  - without wall anchors (-ER1).
  - with wall anchors (-ER2).

#### Installation frame without wall anchors (-ER1)

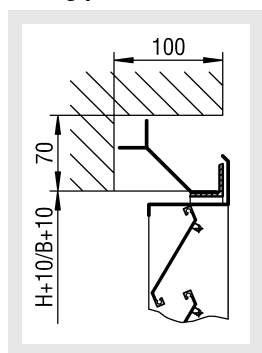


#### Installation frame with wall anchors (-ER2)



### Installation

#### Fitting position with mounting frame (-ER2)



#### Number of wall anchors

Height:

260 - 1005 mm → 2 wall anchors per side

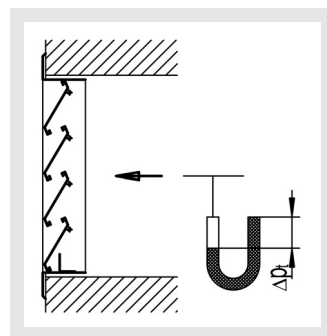
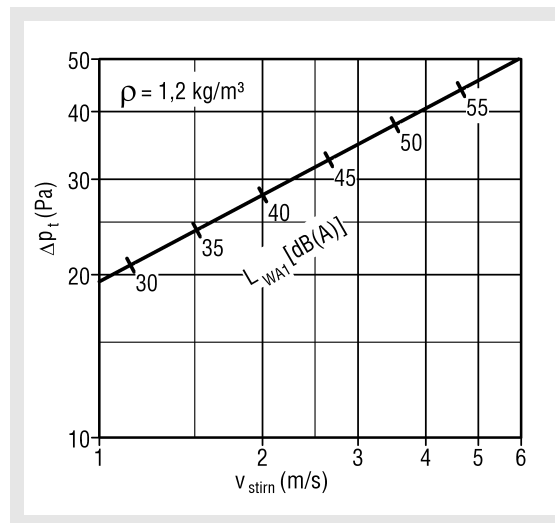
Width:

400 - 500 mm → no wall anchors

≥ 600-1000 mm → 2 wall anchors per side

### Technical data

#### Pressure loss and noise level



#### Correction factor

A <sub>stirn</sub> (m <sup>2</sup> )	0,1	0,2	0,4	0,6	0,8	1,0
KF (-)	-6	-3	0	+1,8	+3	+4

$$L_{WA} = L_{WA1} + KF$$

### Legend

- Δp<sub>t</sub> (Pa) = Pressure loss
- v<sub>stirn</sub> (m/s) = Intake velocity, blower stream velocity, out-flow velocity, relative to A<sub>stirn</sub> = 0.4 m<sup>2</sup>
- A<sub>stirn</sub> (m<sup>2</sup>) = Face area
- L<sub>WA</sub> [dB(A)] = A-weighted sound power level (L<sub>WA</sub> = L<sub>WA1</sub> + KF)
- L<sub>WA1</sub> [dB(A)] = A-weighted sound power level, relative to A<sub>stirn</sub> = 0.4 m<sup>2</sup>
- ρ (kg/m<sup>3</sup>) = Density
- KF (-) = Correction factor
- B (mm) = Width
- H (mm) = Height

## excess pressure flap UEK

### UEK order code

01	02	03	04	05	06
Type	Blade	Model	Width	Height	Installation frame
<b>Example</b>					
UEK	-AL	-1	-0400	-0345	-ER0

All fields must be filled when ordering.

#### Sample

**UEK-AL-1-0400-0345-ER0**

Excess pressure flap type UEK | Blades made of aluminium profile (natural aluminium) | Suction design | Width 400 mm | Height 260 mm | Without installation frame

#### Order details

##### 01 - Type

UEK = UEK excess pressure flap

##### 02 - Blade

AL = made of aluminium profile (natural aluminium).

##### 03 - Model

1 = intake-operated.

2 = pressure-operated (standard).

##### 04 - Width

0400 = Width 400 mm

0500 = Width 500 mm

0600 = Width 600 mm

0800 = Width 800 mm

0900 = Width 900 mm

1000 = Width 1000 mm

xxxx = Width in mm, freely selectable ( $400 \leq \text{height} \leq 1000$ )  
(always with 4 digits).

##### 05 - Height

0260 = Height 260 mm

0345 = Height 345 mm

0425 = Height 425 mm

0510 = Height 510 mm

0675 = Height 675 mm

0760 = Height 760 mm

0840 = Height 840 mm

1005 = Height 1005 mm

xxxx = Height in mm, freely selectable ( $260 \leq \text{height} \leq 1005$ )  
(always with 4 digits).

##### 06 - Installation frame

ER0 = without installation frame (standard).

ER1 = with installation frame without wall anchors.

ER2 = with installation frame with wall anchors.

## UEK excess pressure flap

### Specification texts

Excess pressure flap type UEK consisting of a stable frame made of galvanised steel, with blades made of aluminium profile (natural aluminium), self-opening and -closing.

Product: SCHAKO type UEK-AL-...

#### Model:

- intake operated (-1).
- pressure-operated (-2) (standard).

#### Width:

- 400 mm (-0400)
- 500 mm (-0500)
- 600 mm (-0600)
- 800 mm (-0800)
- 900 mm (-0900)
- 1000 mm (-1000)
- Width in mm, freely selectable (-xxxx) ( $400 \leq \text{width} \leq 1000$ ) (always with 4 digits).

#### Height:

- 260 mm (-0260)
- 345 mm (-0345)
- 425 mm (-0425)
- 510 mm (-0510)
- 675 mm (-0675)
- 760 mm (-0760)
- 840 mm (-0840)
- 1005 mm (-1005)
- Height in mm, freely selectable (-xxxx) ( $260 \leq \text{height} \leq 1005$ ) (always with 4 digits).

#### Accessories:

- Installation frame
  - without installation frame (-ER0) (standard).
  - with installation frame made of galvanised sheet steel:
    - without wall anchors (-ER1).
    - with wall anchors (-ER2).