



Excess pressure flap UEKU



SCHAKO KG
Steigstraße 25-27
D-78600 Kolbingen
Telephone +49 (0) 74 63 - 980 - 0
Fax +49 (0) 74 63 - 980 - 200
info@schako.de
schako.com

excess pressure flap UEKU

Contents

Description	3
Construction	3
Model	3
Models and dimensions	3
Dimensions	3
Technical data	4
Pressure loss and noise level	4
Legend	4
UEKU order code	5
Specification texts	6

excess pressure flap UEKU

Description

Self-opening and -closing excess pressure flap type UEKU with **aluminium blades** (-AL, natural aluminium). Frame designed as **stable U-frame** made of galvanised sheet steel for **easy duct connection**.

For maintenance, service, retrofitting, etc., inspection openings in sufficient number and size must be provided on site.

Construction

Blades

- Aluminium profile (natural aluminium) (-AL).

U-frame

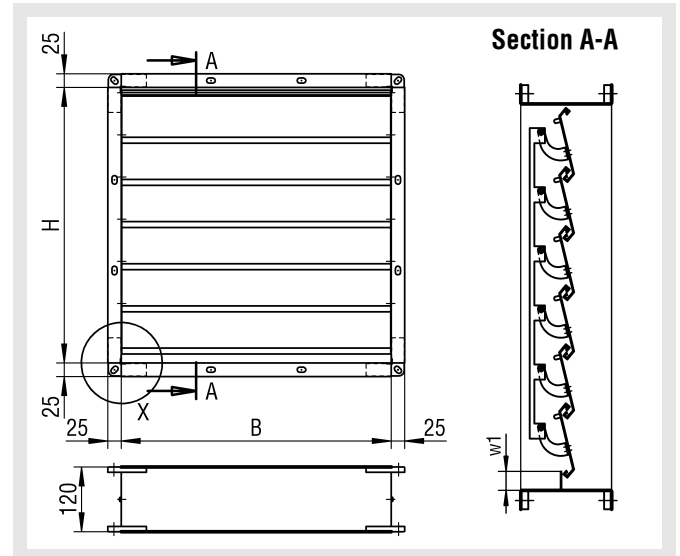
- Galvanised sheet steel

Model

- UEKU-...-RB0 - without mounting holes
- UEKU-...-RB2 - with mounting holes on both sides

Models and dimensions

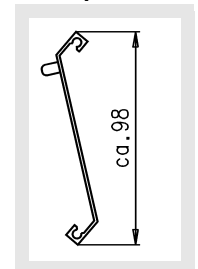
Dimensions UEKU



Available sizes

B	H	w1	w2
0400	0260	10	30
0500	0345	25	25
0600	0425	25	15
0800	0510	25	10
0900	0675	35	40
1000	0760	45	40
	0840	45	25
	1005	45	50

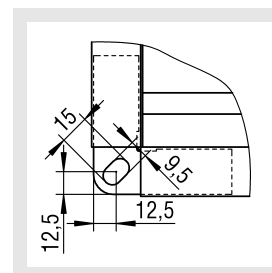
Blade profile



All combined lengths and widths available!

Corner angles

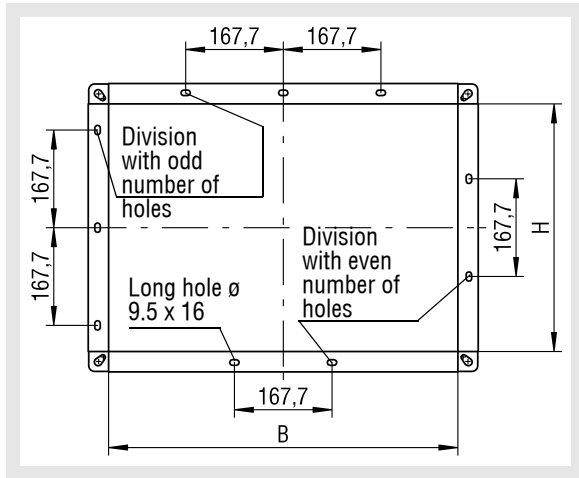
Detail X



The pressure-operated shutter are delivered with corner angles as standard. The special shape of the corner holes allows them to be connected to connection systems available on the market (e.g. Metu system M 2 / M 3)

UEKU excess pressure flap

Frame bore



The excess pressure flap can be delivered either

- Without frame bore (-RBO)
 - With frame bores on both sides (-RB2)
- be supplied

Available sizes

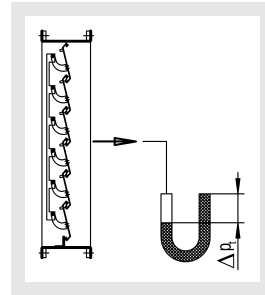
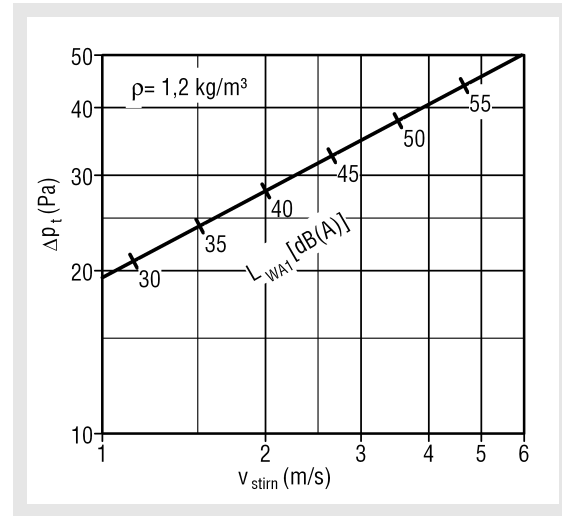
B	Number of mounting holes without corner holes
0400	1
0500	1
0600	2
0800	3
0900	4
1000	4

H	Number of mounting holes without corner holes
0260	-
0345	1
0425	1
0510	2
0675	3
0760	3
0840	4
1005	5

All combined lengths and widths available!

Technical data

Pressure loss and noise level



Correction factor:

A_{stirn} (m ²)	0,1	0,2	0,4	0,6	0,8	1,0
KF (-)	-6	-3	0	+1,8	+3	+4

$$L_{WA} = L_{WA1} + KF$$

Legend

- Δp_t (Pa) = Pressure loss
- v_{stirn} (m/s) = Intake velocity, blower stream velocity, out-flow velocity, relative to A_{stirn}
- A_{stirn} (m²) = Face area
- L_{WA} [dB(A)] = A-weighted sound power level [$L_{WA} = L_{WA1} + KF$]
- L_{WA1} [dB(A)] = A-weighted sound power level, relative to $A_{stirn} = 0,38 \text{ m}^2$
- ρ (kg/m³) = Density
- KF (-) = Correction factor
- B (mm) = Width
- H (mm) = Height

excess pressure flap UEKU

UEKU order code

01	02	03	04	05
Type	Blade	Width	Height	Frame bore
Example				
UEKU	-AL	-0400	-0345	-R0

All fields must be filled when ordering.

Sample

UEKU-AL-0400-0345-RB0

Excess pressure flap UEKU | Blade made of aluminium profile (natural aluminium) | Width 400 mm | Height 345 mm | Without frame bore

Order details

01 - Type

UEKU = UEKU excess pressure flap

02 - Blade

AL = made of aluminium profile (natural aluminium).

03 - Width

0400 = Width 400 mm

0500 = Width 500 mm

0600 = Width 600 mm

0800 = Width 800 mm

0900 = Width 900 mm

1000 = Width 1000 mm

xxxx = Width freely selectable, in mm ($400 \leq \text{width} \leq 1000$)
(always with 4 digits).

04 - Height

0260 = Height 260 mm

0345 = Height 345 mm

0425 = Height 425 mm

0510 = Height 510 mm

0675 = Height 675 mm

0760 = Height 760 mm

0840 = Height 840 mm

1005 = Height 1005 mm

xxxx = Height freely selectable, in mm ($260 \leq \text{height} \leq 1005$)
(always with 4 digits).

05 - Frame bore

RB0 = without frame bore (standard).

RB2 = with mounting holes on both sides.

Number of holes according to table!!!

UEKU excess pressure flap

Specification texts

Excess pressure flap type UEKU consisting of a stable U frame made of galvanised steel, with blades made of aluminium profile (natural aluminium), self-opening and -closing.

Product: SCHAKO type UEKU-AL-...

Width:

- 400 mm (-0400)
- 500 mm (-0500)
- 600 mm (-0600)
- 800 mm (-0800)
- 900 mm (-0900)
- 1000 mm (-1000)
- Width in mm, freely selectable (-xxxx) ($400 \leq \text{width} \leq 1000$) (always with 4 digits).

Height:

- 260 mm (-0260)
- 345 mm (-0345)
- 425 mm (-0425)
- 510 mm (-0510)
- 675 mm (-0675)
- 760 mm (-0760)
- 840 mm (-0840)
- 1005 mm (-1005)
- Height in mm, freely selectable (-xxxx) ($260 \leq \text{height} \leq 1005$) (always with 4 digits).

Frame bore:

- without frame bore (-RB0)
- With frame bores on both sides (-RB2).