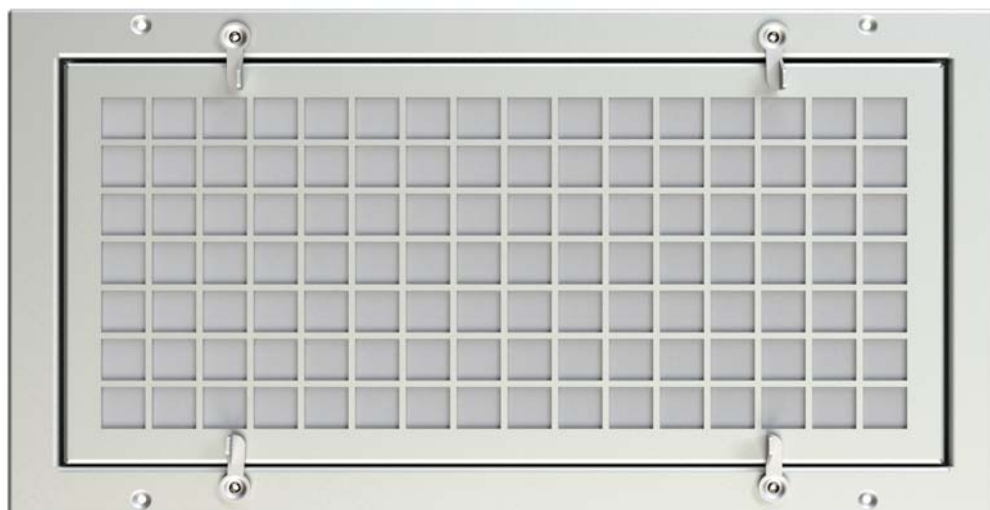




Return air filter grille

Model RF



Ferdinand Schad KG
Steigstraße 25-27
D-78600 Kolbingen
Telephone +49 (0) 74 63 - 980 - 0
Fax +49 (0) 74 63 - 980 - 200
info@schako.de
www.schako.de



Return air filter grille RF

Contents

- Description 3**
 - Construction 3
 - Model 3
 - Accessories 3
 - Fastening 3
 - Models and dimensions 3
 - Dimensions 3
 - Dimensions of accessories 4
- Technical data 5**
 - Pressure loss and noise level 5
- Legend 5**
- Order code RF 6**
- Specification texts 7**

Return air filter grille RF

Description

Return air grille with inserted, changeable filter insert. The filter insert can be easily removed for cleaning by turning the sash locks.

Construction

Cover frame, filter insert grille, frame, sash lock

- Sheet steel painted to RAL 9010 (white)
- Stainless steel (V2A) painted in sand silver

Filter insert

- Dry filter mat ISO Coarse > 45%

Model

Model RF - Return air grille with filter insert

Accessories

Installation frame (-ER1)

- Electrolytically galvanised sheet steel

Installation frame with wall anchors (-ER2)

- Electrolytically galvanised sheet steel

Fastening

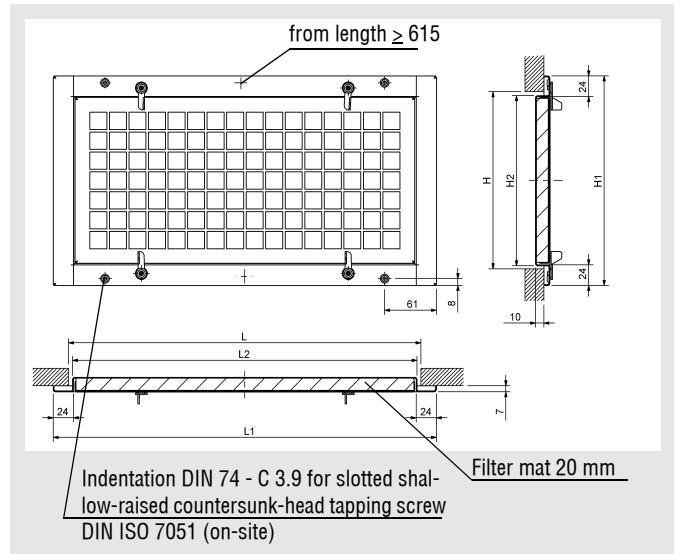
Screw mounting (-SM)

- Standard, screws must be provided on site

Models and dimensions

Dimensions

RF



Available sizes RF

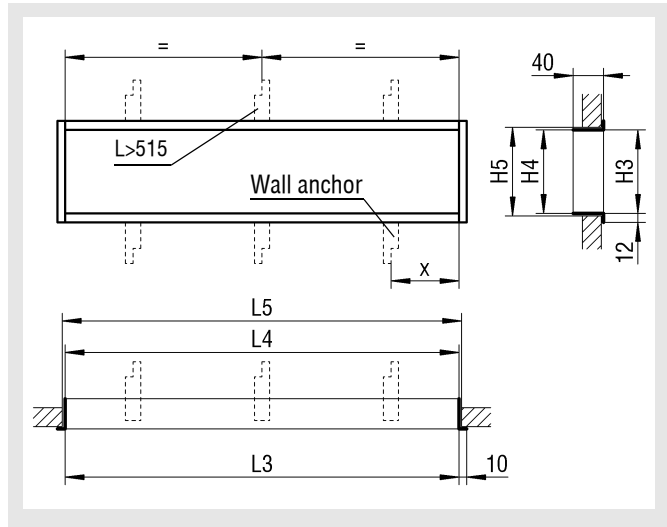
L	L1	L2	H	H1	H2
0315	350	304	105	142	97
0415	450	404	205	242	197
0515	550	504	305	342	297
0615	650	604			
0815	850	804			
1015	1050	1004			

All combined lengths and heights available!

Return air filter grille RF

Dimensions of accessories

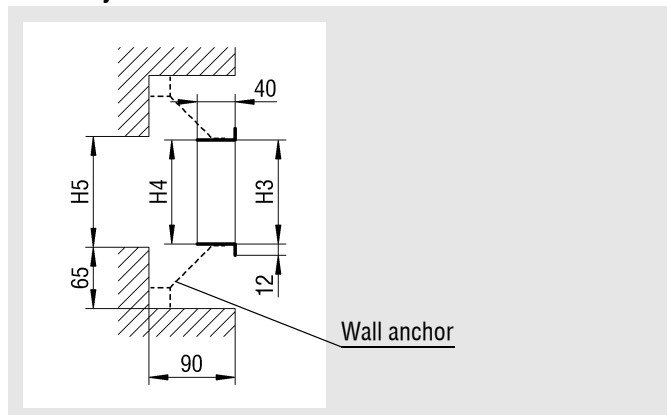
Mounting frame (-ER1/-ER2)



Number of wall anchors (-ER2)

Height: no wall anchors
 Length: $L \leq 515$ 2 wall anchors per side
 $L > 515$ 3 wall anchors per side

Assembly detail



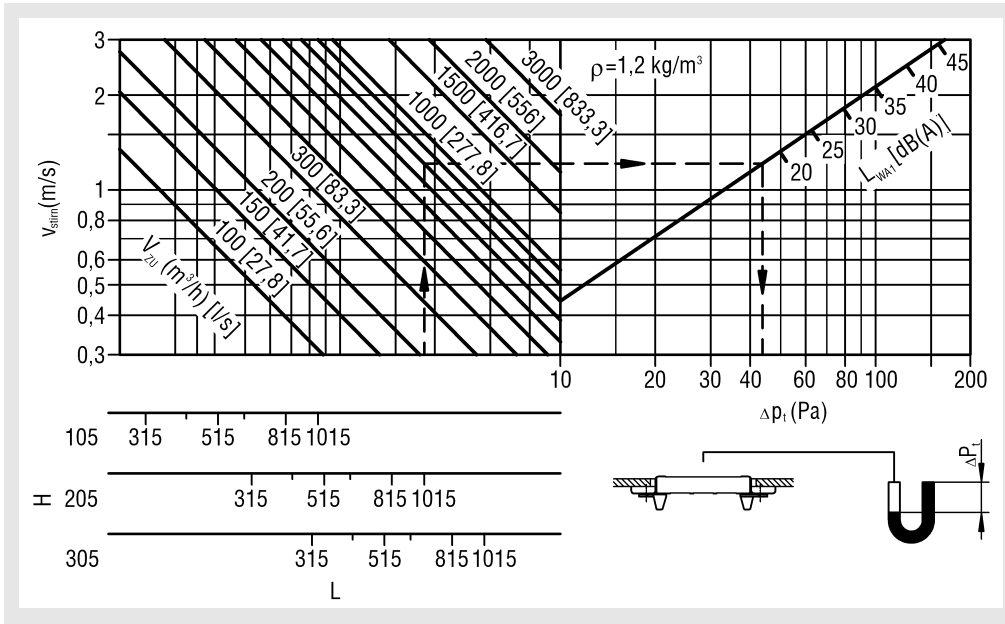
Available sizes of the mounting frame (-ER1/-ER2)

L	L3	L4	L5	x	H	H3	H4	H5
0315	321	323	325	50	105	110	115	117
0415	421	423	425	50	205	210	215	217
0515	521	523	525	100	305	310	315	317
0615	621	623	625	100				
0815	821	823	825	100				
1015	1021	1023	1025	100				

Return air filter grille RF

Technical data

Pressure loss and noise level



Face area [A_{stirn} (m²)]

H (mm)	L (mm)					
	315	415	515	615	815	1015
105	0,028	0,038	0,047	0,057	0,075	0,094
205	0,059	0,078	0,097	0,117	0,156	0,194
305	0,089	0,118	0,148	0,177	0,236	0,295

Correction factor

A_{stirn} (m ²)	0,017	0,033	0,066	0,132	0,265	0,529
KF (-)	-3	0	+3	+6	+9	+12

$$L_{WA} = L_{WA1} + KF$$

Legend

V_{ZU}	(m ³ /h)	= Supply air volume
V_{ZU}	[l/s]	= Supply air volume
V_{stirn}	(m/s)	= Intake velocity, blower stream velocity, outflow velocity, relative to A_{stirn}
A_{stirn}	(m ²)	= Face area
ρ	(kg/m ³)	= Density
Δp_t	(Pa)	= Pressure loss
L_{WA1}	[dB(A)]	= A-weighted sound power level, relative to face area = 0.33 m ²
L_{WA}	[dB(A)]	= A-weighted sound power level ($L_{WA} = L_{WA1} + KF$)
KF	[dB(A)]	= Correction factor
H	(mm)	= Height
L	(mm)	= Length

Return air filter grille RF

Order code RF

01	02	03	04
Type	Length	Height	Material
Example			
Model RF	-0315	-105	-SB

05	06	07
Paint	Mounting	Installation frame
-9010	-SM	-ERO

All fields must be filled when ordering

Sample

RF-0315-105-SB-9010-SM-ERO

Return air filter grille type RF | grille length 315 mm | grille height 105 mm | sheet steel | painted to RAL 9010 | with screw mounting | without mounting frame

Order details

01 - Type

Model RF = Return air filter grille type RF

02 - Length

0315 = Grille length 315 mm
 0415 = Grille length 415 mm
 0515 = Grille length 515 mm
 0615 = Grille length 615 mm
 0815 = Grille length 815 mm
 1015 = Grille length 1015 mm

03 - Height

105 = Grille height 105 mm
 205 = Grille height 205 mm
 305 = Grille height 305 mm

04 - Material

SB = Sheet steel (standard, only available with paint)
 V2 = Stainless steel 1.4301 (V2A) (additionally painted in the colour sand silver)

05 - Paint

9010 = RAL 9010 (white, standard)
 SAND = painted in the colour sand silver (always with -V2)
 xxxx = RAL colour can be freely selected (always with 4 digits)

06 - Mounting

SM = Screw mounting (standard)

07 - Mounting frame

ERO = Without installation frame (standard)
 ER1 = With installation frame without wall anchors
 ER2 = With installation frame with wall anchors

Return air filter grille RF

Specification texts

Return air filter grille consisting of a frame, dry filter mat (ISO Coarse >45%) and fitted, replaceable filter grille insert made of sheet steel painted in RAL 9010 (white) (-SB-9010).

Fastening by means of screw mounting (-SM).

Product: SCHAKO **type RF**

- made of stainless steel 1.4301 (V2A) painted in the colour sand silver (-V2-SAND)

Accessories:

- Installation frame (-ER1), made of electrolytically galvanised sheet steel, without wall anchors
- Mounting frame (-ER2), made of electrolytically galvanised sheet steel, with wall anchors