

MINOPAB

Floor displacement diffuser for small air volumes

Table of Contents

Function and use	2
Models	2
Processing	2
Dimensions	3
Accessories	3
Fastening	4
Technical data	4
Legend	4
Order code	5
Specification text	6

Function and use

The diffusers of the MINO series are diffusers for small air volumes which are suitable for supplying the hygienically required minimum fresh air volume per person in a controlled and reliable manner, for example for living space ventilation, hotels, treatment rooms, hospital rooms and single-axis offices.

SCHAKO floor displacement diffuser MINOPAB is a rectangular floor displacement diffuser. The air flows horizontally out of the floor displacement diffuser. This flow enables a quick temperature and velocity drop near the diffuser.

The rectangular floor displacement diffuser consists of a faceplate and a support frame. The floor displacement diffuser is fitted with a plenum box for optimum air distribution over the entire diffuser. The plenum box can be additionally fitted with a damper. It serves for air volume regulation and can be easily adjusted. To adjust the damper, the diffuser must be removed.

Load-carrying capacity of the faceplate

The floor displacement diffusers can be subjected to loads for structural class "light" according to DIN-EN 13264.

Models



Stable and discreet

Supply air diffuser for floor installation for small volumetric flow rates, displacement ventilation feature for offices, hotels, bedrooms, living space ventilation

PERFORMANCE DATA

	MINOPAB-1	MINOPAB-2
V_{ZU} [m³/h]	79	131
L_{WA} [dB(A)]	25	25
Dimensions L1 x H1 [mm]	548 x 102	848 x 102

AIR THROW PATTERN



FLOOR

floor-level, multiway displacement ventilation

Processing

FACEPLATE: – Sheet steel painted to RAL 9005 (black, F9005) or RAL 9010 (white, F9010) or aluminium natural colour anodised (E6/EV1, FELOX, standard) or freely selectable RAL colour (Fxxxx)

SUPPORT FRAME - Extruded aluminium profile, natural colour anodised (E6/EV1, AELOX, standard), freely selectable RAL colour (Axxxx)

PLENUM BOX - Galvanised sheet steel, with lateral connection piece and legs

FASTENING - By concealed mounting (magnetic fastening)

Accessories

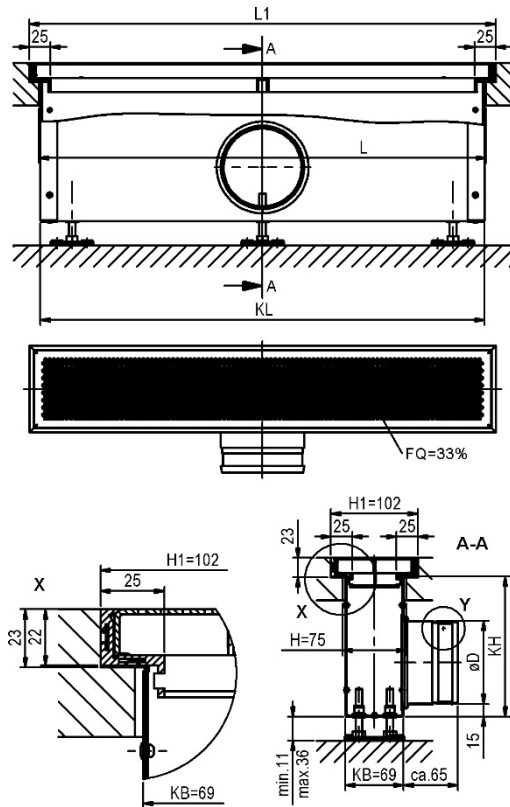
RUBBER LIP SEAL (-GD1)

DAMPER (-DK1)

Dimensions

MINOPAB - DIMENSIONS

MINOPAB



MINOPAB – Available sizes

	MINOPAB-1	MINOPAB-2
L	525	825
L1	548	848
KL	522	822
KH	165	190
øD	ø 98	ø 123

all dimensions in mm

Accessories

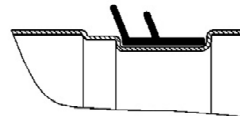
MINOPAB - ACCESSORIES

- Rubber lip seal (-GD1)
- Damper (-DK1)

ACCESSORIES - DIMENSIONS

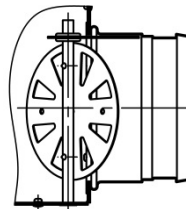
Rubber lip seal (-GD1)

Detail Y



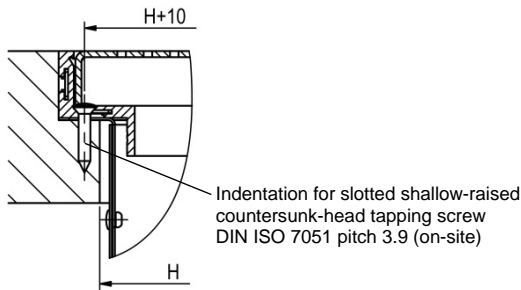
Damper (-DK1)

To adjust the damper, the diffuser must be removed (without tools).

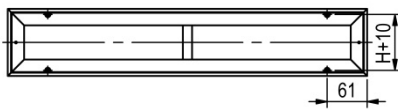


Fastening

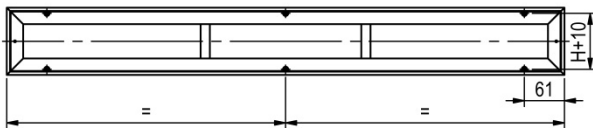
MINOPAB - FRAME FASTENING



MINOPAB-1



MINOPAB-2



Technical data

MINOPAB - size 1

V_{ZU} [m ³ /h]	L_{WA} [dB(A)]	Δp_t [Pa]	V_{stirn} [m/s]	x [m] at v_{mittel} 0.15 m/s
25	< 25	1	0.19	0.8
79	25	7	0.60	1.1
96	30	10	0.73	1.2

MINOPAB - size 2

V_{ZU} [m ³ /h]	L_{WA} [dB(A)]	Δp_t [Pa]	V_{stirn} [m/s]	x [m] at v_{mittel} 0.15 m/s
50	< 25	1	0.24	1.0
131	25	9	0.63	2.0
152	30	12	0.74	2.3

Legend

- L1 [mm] = Diffuser length
- H1 [mm] = Diffuser width
- L [mm] = Floor recess length
- H [mm] = Floor recess width
- KB [mm] = Width of box
- KH [mm] = Height of box
- D [mm] = Connection diameter
- KL [mm] = Length of box

- Δp_t [Pa] = Pressure loss
- L_{WA} [dB(A)] = A-weighted sound power level
- x [m] = throw
- V_{ZU} [m³/h] = Supply air volumetric flow
- V_{eff} [m/s] = velocity of jet

Order code

01	02	03	04	05	06
Type	Size	Faceplate	Support frame	Duct connection	Accessories
Example					
MINOPAB	-1	-F9005	-AELOX	-GD1	-DK0

Sample

MINOPAB-1-F9005-AELOX-GD1-DK1

Floor displacement diffuser type MINOPAB | size 1 | faceplate painted to RAL9005 black | support frame natural colour anodised aluminium | with rubber lip seal | without damper

ORDER DETAILS

01 - Type

MINOPAB

02 - Size

1 = Size 1

2 = Size 2

03 - Faceplate

F9005 = RAL 9005 (black)

F9010 = RAL 9010 (white)

FELOX = Natural colour anodised aluminium (E6/EV1, standard)

Fxxxx = Freely selectable RAL colour

04 – Support frame

A9005 = Painted to RAL 9005 (black)

A9010 = Painted to RAL 9010 (white)

AELOX = Natural colour anodised aluminium (E6/EV1, standard)

Axxxx = Freely selectable RAL colour

05 - Duct connection

GD0 = without rubber lip seal (standard)

GD1 = with rubber lip seal

06 - Accessories

DK0 = without damper (standard)

DK1 = damper, galvanised sheet steel

Specification text

SCHAKO floor displacement diffuser MINOPAB is a rectangular floor displacement diffuser particularly suitable for installation in double floors. The air flows horizontally out of the floor displacement diffuser. This flow enables a quick temperature and velocity drop near the diffuser. The rectangular floor displacement diffuser consists of a faceplate and a support frame with plenum box made of galvanised sheet steel with lateral connection piece and fixing lugs. The plenum box can be additionally fitted with a damper. It serves for air volume regulation and can be adjusted easily.

Product: SCHAKO **type MINOPAB-1**
SCHAKO **type MINOPAB-2**

Accessories:

- With rubber lip seal (-GD1) at the connection spigot
- With damper (-DK1)