



MINODSA
Nozzle jet diffuser for small air volumes

Contents

Function and use	2
Models	2
Processing	2
Dimensions	3
Accessories	3
Fastening	4
Technical data	4
Legend	4
Order code	5
Specification text	6

Function and use

The diffusers of the MINO series are diffusers for small air volumes which are suitable for supplying the hygienically required minimum fresh air volume per person in a controlled and reliable manner, for example for living space ventilation, hotels, treatment rooms, hospital rooms and single-axis offices.

The nozzle jet diffuser MINODSA by SCHAKO is an air supply element made of galvanised sheet steel with high penetration depths despite small air volumes. The favourable acoustic characteristics also allow versatile use. The nozzle jet diffuser MINODSA can be preferably mounted into a wall for unilateral air intake.

The models with adjustable nozzles allow virtually unlimited settings, as the nozzles can be adjusted individually to the desired throw direction. The nozzle jet diffuser MINODSA is available in two sizes.

Models

Size 1
Spigot from behind



Size 2
Spigot from behind



Size 1
Lateral spigot



Size 2
Lateral spigot



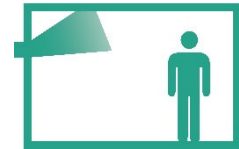
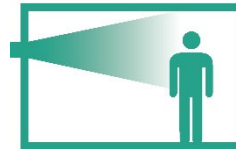
Discreet and reliable in function

Supply air diffuser for wall mounting for small volumetric flow rates, stable horizontal air pattern and good room flushing. With magnetic fastening for dismantling without tools.

PERFORMANCE DATA

	MINODSA-1	MINODSA-2
V _{ZU} [m ³ /h]	57	88
L _{WA} [dB(A)]	35	35

AIR THROW PATTERN



WALL

horizontal - for centred nozzle position

WALL

lateral - for rotated nozzle position (multiway 30° spread possible)

Processing

NOZZLES - Plastic, similar to RAL colour 9010 white (-D9010, standard) or RAL 9005 black (-D9005)

FACEPLATE - Sheet steel painted to RAL 9010 white (-F9010, standard) or to a different RAL colour (-Fxxxx)

PLENUM BOX - galvanised sheet steel,
- with spigot from behind (A0, standard)
- with lateral spigot (A1)

FASTENING FACEPLATE – using concealed mounting (-VM magnet)

Accessories

RUBBER LIP SEAL (-GD1)

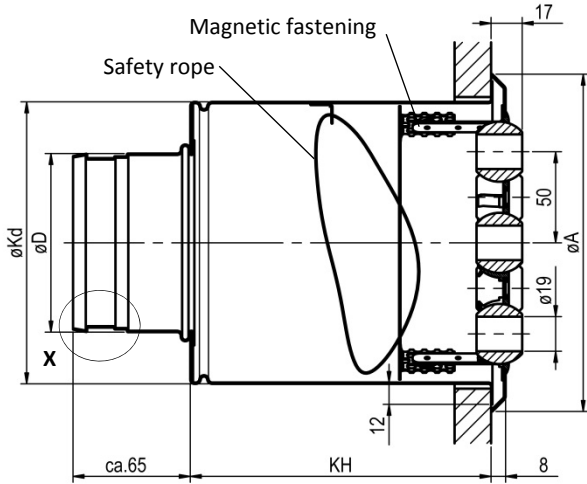
DAMPER (-DK1)

UNIVERSAL FASTENING (-BU)

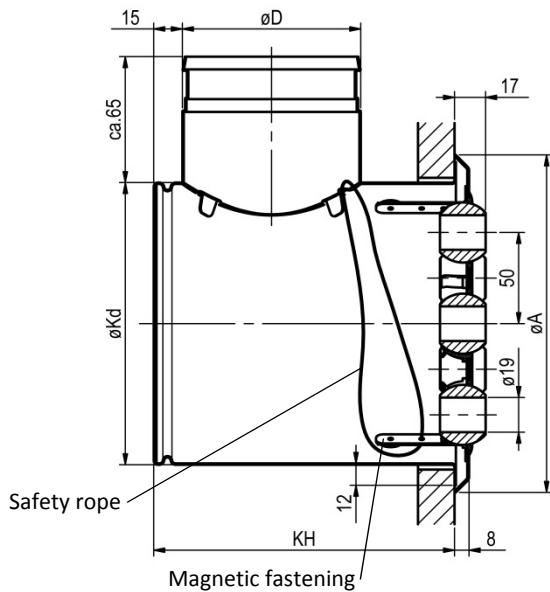
Dimensions

MINODSA - DIMENSIONS

MINODSA-A0 (spigot from behind, standard)



MINODSA-A1 (lateral spigot)



MINODSA – Available sizes

	MINODSA-1	MINODSA-2
ØA	Ø 185	Ø 240
ØKd	Ø 155	Ø 210
KH	165	190
ØD	Ø 98	Ø 123

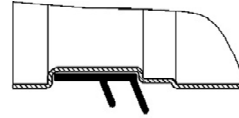
all dimensions in mm

Accessories

ACCESSORIES - DIMENSIONS

Rubber lip seal (-GD1)

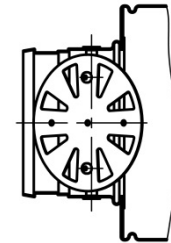
Detail X



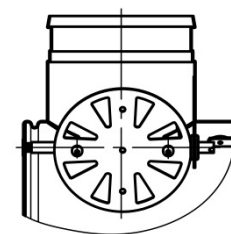
Damper (-DK1)

To adjust the damper, the diffuser must be removed (without tools).

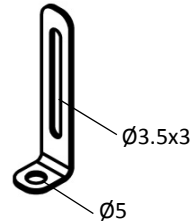
MINODSA-...-A0-...-DK1
(Spigot from behind)



MINODSA-...-A1-...-DK1
(Lateral spigot)



Universal fastening (-BU)



Fastening

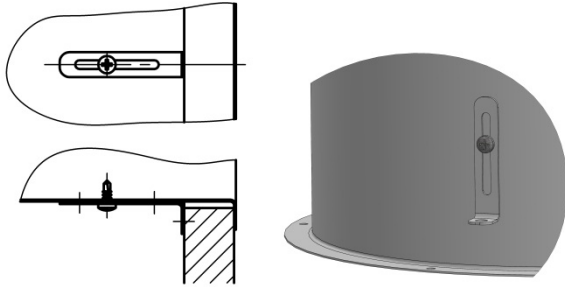
Universal fastening on plenum box (-BU)

(drawn without MINODSA)

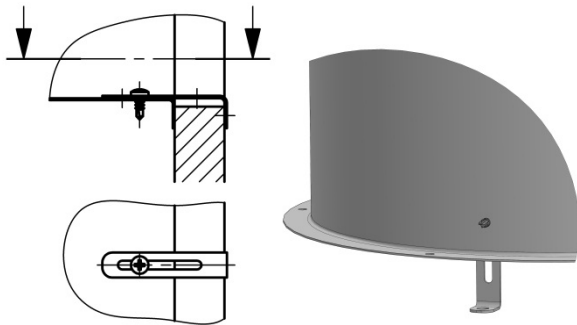
Mounting bracket and mounting screws (3 x DIN EN ISO 15481 – ST3.5x9.5) are supplied loose – attached on site, M4 threaded rods on site

Installation proposals:

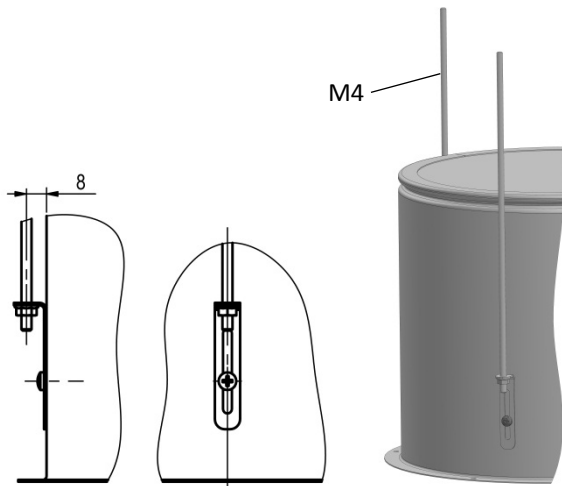
from behind



from the front



for suspension



Technical data

MINODSA - size 1

V_{ZU} [m ³ /h]	L_{WA} [dB(A)]	Δp_t [Pa]	$x+y$ [m] (with v_{mittel} 0.15 m/s)
37	25	17	2.4
46	30	27	3.2
57	35	41	4.2
70	40	62	5.5

MINODSA - size 2

V_{ZU} [m ³ /h]	L_{WA} [dB(A)]	Δp_t [Pa]	$x+y$ [m] (with v_{mittel} 0.15 m/s)
56	25	10	3.2
70	30	16	4.2
88	35	25	5.4
111	40	40	7.1

Legend

A	[mm]	=	Diameter of faceplate
D	[mm]	=	Diameter of connection spigot
Kd	[mm]	=	Diameter of box
KH	[mm]	=	Height of box
Δp_t	[Pa]	=	Pressure loss
L_{WA}	[dB(A)]	=	A-weighted sound power level
x	[m]	=	Throw
V_{ZU}	[m ³ /h]	=	Supply air volumetric flow
v_{mittel}	[m/s]	=	Average end velocity of jet

Order code

01	02	03	04	05	06	07	08
Type	Size	Nozzle colour	Faceplate	Plenum box	Duct connection	Accessories	Fastening
Example							
MINODSA	-1	-D9010	-F9010	-A0	-GD1	-DK0	-BU

Sample:

MINODSA-1-D9010-F9010-A0-GD1-DK0-BU

Air diffuser type MINODSA | size 1 | nozzles white similar to RAL 9010 | faceplate white RAL9010 | plenum box with connection spigot from behind | with rubber lip seal | without damper | with universal fastening

ORDER DETAILS

01 - Type

MINODSA

02 - Size

1 = Size 1

2 = Size 2

03 - Nozzle colour

D9010 = similar to RAL 9010 (standard)

D9005 = similar to RAL 9005

04 - Faceplate

F9010 = RAL 9010 (white, standard)

Fxxxx = RAL colour can be freely selected

05 - Plenum box

A0 = With spigot from behind (standard)

A1 = With lateral spigot

06 - Duct connection

GD0 = without rubber lip seal (standard)

GD1 = with rubber lip seal

07 - Accessories

DK0 = without damper (standard)

DK1 = with damper, galvanised sheet steel

08 - Fastening

B0 = without fastening (standard)

BU = with universal fastening, galvanised sheet steel (brackets and screws are supplied loose)

Specification text

Nozzle jet diffuser MINODSA-1, for mounting in walls and ceilings as supply air element for small air volumes. With 7 individually adjustable nozzles made of plastic, similar to RAL colour 9010 white (-D9010) or RAL 9005 black (-D9005). Sheet steel faceplate painted to RAL 9010 white (-F9010) or to a different RAL colour (-Fxxxx), with plenum box made of galvanised sheet steel, with spigot from behind (-A0). Fastened by concealed mounting.

Product: SCHAKO **type MINODSA-1**

- With 14 individually adjustable nozzles made of plastic, similar to RAL colour 9010 white (-D9010) or RAL 9005 black (-D9005).

Product: SCHAKO **type MINODSA-2**

- with plenum box made of galvanised sheet steel, with lateral spigot (-A1)

Accessories:

- With rubber lip seal (-GD1) at the connection spigot
- With damper (-DK1)
- With universal fastening (-BU)