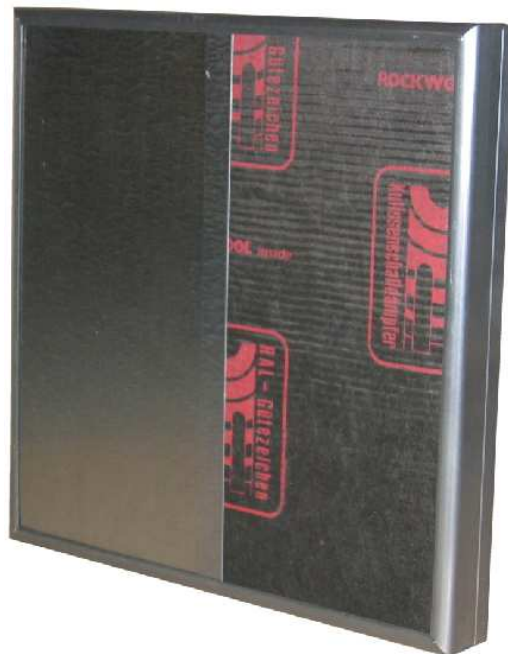




# Installation Information for Baffles Type MWK



Ferdinand Schad KG  
Steigstraße 25-27  
D-78600 Kolbingen  
Telephone +49 (0) 74 63 - 980 - 0  
Fax +49 (0) 74 63 - 980 - 200  
[info@schako.de](mailto:info@schako.de)  
[www.schako.de](http://www.schako.de)

## Installation Information for Baffles Type MWK

### Contents

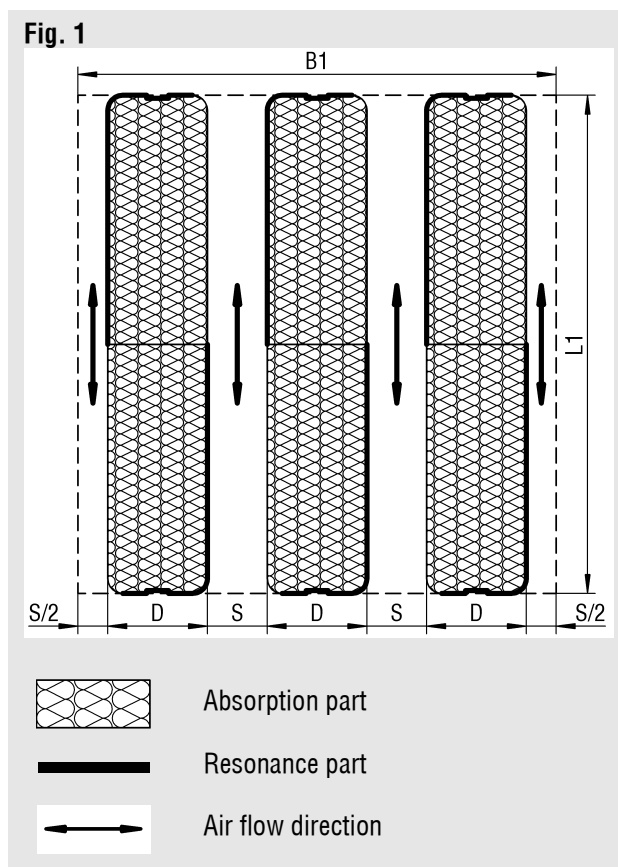
<b>Installation information</b> .....	<b>3</b>
Arrangement of the baffles in the ventilation duct .....	3
Baffle dimensions .....	3
Baffle installation with drilling screws .....	4
Baffle installation in a row .....	4
Baffle installation vertically .....	5
<b>Legend</b> .....	<b>5</b>

## Installation Information for Baffles Type MWK

Schako MWK baffles with RAL quality seal are quality products whose quality is continuously monitored. They are designed for installation in on-site housings. To ensure proper mounting and continuous quality assurance, this installation information must be observed.

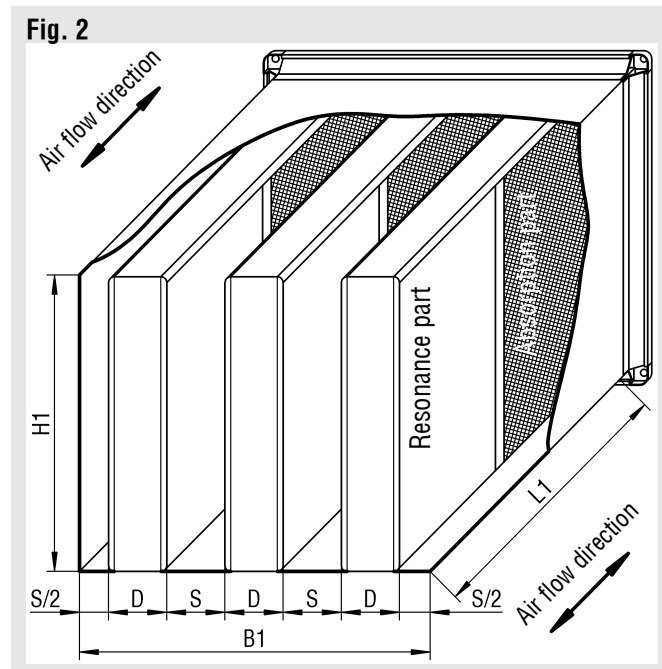
### Installation information

MWK baffles have a symmetric structure and comprise absorption and resonance parts. They must be arranged alternately in the direction of the air flow and in parallel to one another (Fig. 1).



### Arrangement of the baffles in the ventilation duct

MWK baffles must be built into ventilation ducts that have smooth and plane-parallel walls made of steel, aluminium, concrete, masonry or the like in accordance with Fig. 2.

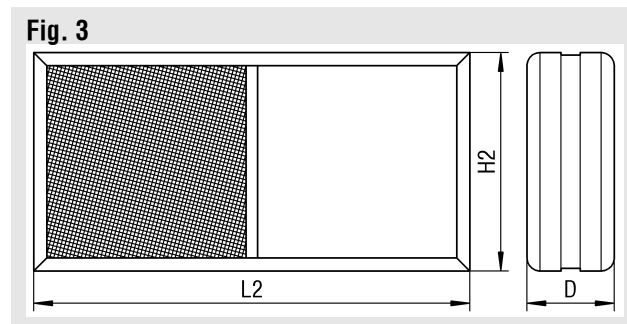


Only baffles having the same length  $L$  can be installed next to each other. The gap between two baffles can be calculated from the inside width  $B1$  of the duct:

$$\text{Gap } S = \text{Width } B1 + \text{Number of baffles } n - \text{Baffle thickness } D$$

### Baffle dimensions

Between the two outer baffles and the duct, the gap  $S$  must be halved, that is,  $S/2$  must be used. A constant value for the dimensions of the gap must be entered via the baffle length  $L2$  and the nominal height  $H2$  (increasing the gap width will lower the sound absorption, while decreasing it will increase the pressure loss and flow-generated noise). The actual dimension of the baffle height is 4 mm smaller than the nominal height (Fig. 3).  $H2$  is also the dimension for ordering.

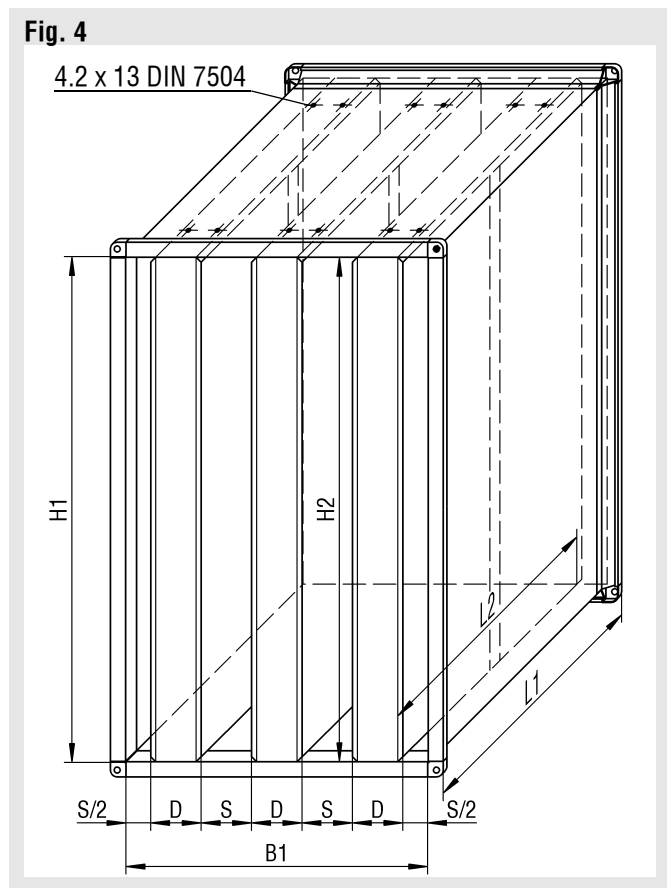


## Installation Information for Baffles Type MWK

### Baffle installation with drilling screws

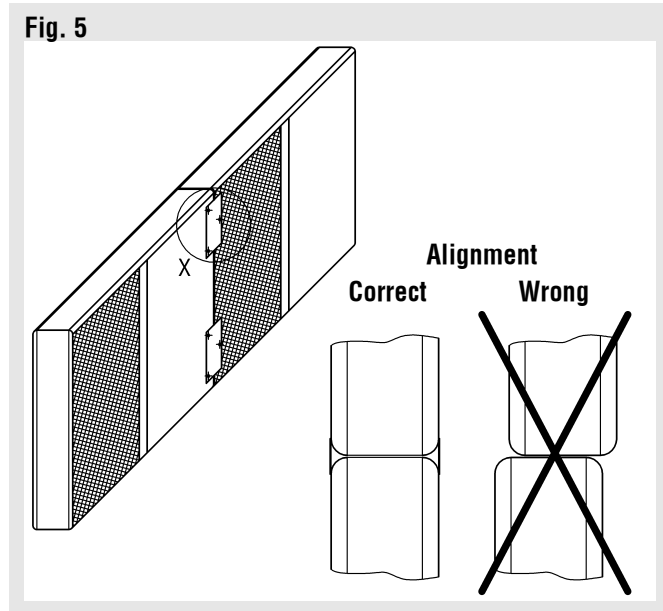
Baffle height H2 and baffle length L2 must not be interchanged. The air flow must flow through the gap S in the direction of the baffle length.

MWK baffles can be fastened in sheet metal ducts directly with drilling screws (Fig. 4).



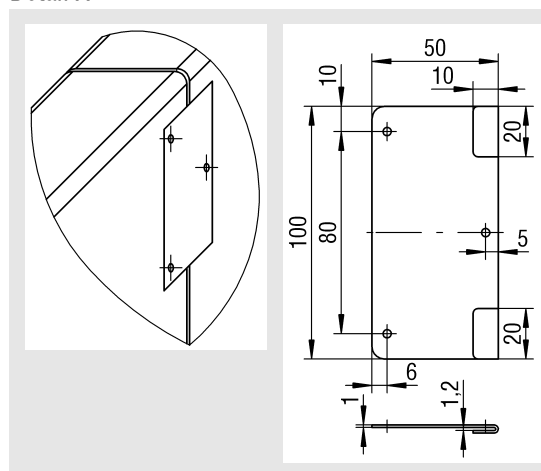
### Baffle installation in a row

MWK baffles can be placed directly one after another (Fig. 5). Careful alignment (Fig. 5) is required. An offset of the gap S in the direction of the baffle length must be avoided.

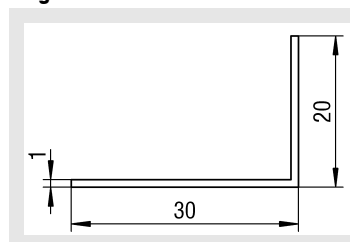


### Connection via fish plates

Detail X



### Angled rail for installation in concrete ducts



**Attention:** The edge gap must be  $\geq 30$  mm.

## Installation Information for Baffles Type MWK

### Baffle installation vertically

#### Connection using U-caps

The MWK baffles can be placed directly on top of each other (Fig. 6). They can be connected with U-caps (Fig. 7). To keep the gap  $S$  sufficiently constant with large heights, a mutual support of the baffles is recommended.

Fig. 6

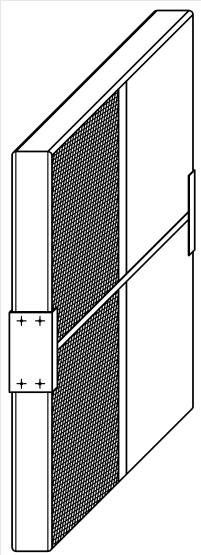
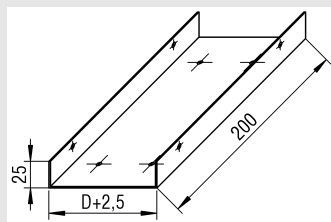


Fig. 7  
Detail U-cap



### Legend

H2	(mm)	= Baffle height
L2	(mm)	= Baffle length
D	(mm)	= Baffle thickness
S	(mm)	= Gap width
B1	(mm)	= Inside duct width
L1	(mm)	= Duct length
H1	(mm)	= Inside duct height
n	(-)	= Number of baffles