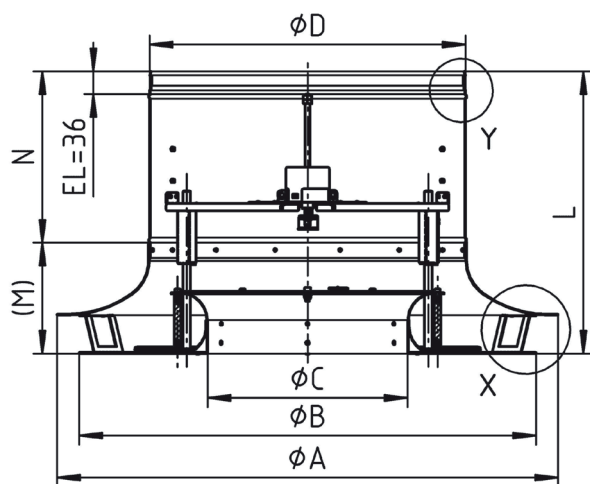


## Technical features

The SCHAKO IGA air diffuser for large air volumes is an air diffuser for freely suspended installation in rooms with heights of up to 15 m. It is fastened to the duct system by means of suspensions using threaded spindles provided on site. In cooling mode, a high induction is achieved, which effectively reduces the temperature and air velocity. In heating mode, a vertical, stable air jet with high penetration depth is generated by means of integrated actuators.

## Available sizes

| NW  | ∅ D | ∅ A  | ∅ B  | ∅ C | M   | N   | L   |
|-----|-----|------|------|-----|-----|-----|-----|
| 500 | 498 | 790  | 720  | 315 | 175 | 270 | 445 |
| 630 | 628 | 998  | 910  | 396 | 209 | 280 | 489 |
| 800 | 798 | 1275 | 1180 | 496 | 270 | 368 | 638 |



SCHAKO stands for competence in the ventilation and air conditioning technology. The quality standard and the reliability of our products are well-known throughout Europe. In our own test laboratories we develop solutions which sustainably optimise the indoor climate in work environments and public spaces. With sites in Germany, Spain, Hungary and Turkey we deliver quickly and flexibly in all of Europe.

We carry a broad standard range and are optimally geared to meet special air demands with individual and intelligent solutions.

### Pure competence in air

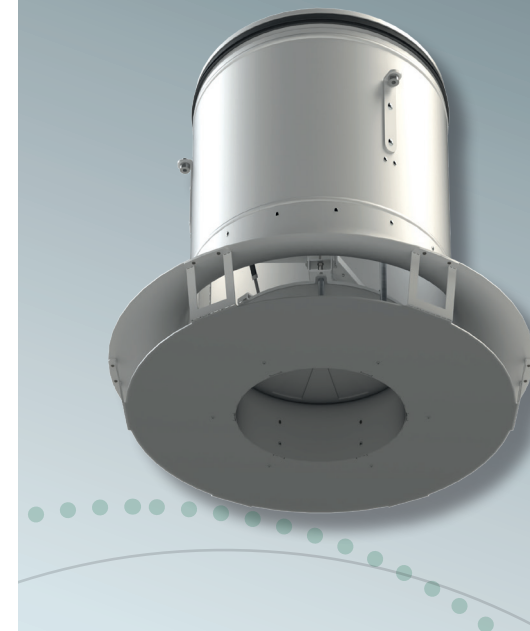
As air specialists, the companies of **SCHAKO Group - ADMECO, NOVENCO Building & Industry, REVEN, SCHAKO, SCHNEIDER Elektronik and SIROCCO**- provide a unique portfolio of ventilation, air conditioning, smoke extraction and fire protection products and system solutions for the commercial construction, public buildings, canteen kitchens, laboratories, the process industry, stairwells, underground car parks and tunnel systems.

### SCHAKO Ferdinand Schad KG

Steigstraße 25- 27  
D-78600 Kolbingen  
Germany  
schako.com  
Version: 2021-04-09



Pure competence in air.



## IGA

### Air diffuser for large air volumes

The SCHAKO IGA air diffuser for large air volumes for air conditioning of high rooms consists of several intake funnels for optimum introduction of supply air into the room or extraction of the exhaust air from the room.



### The air diffuser for large rooms

The IGA air diffuser for large air volumes is mainly used for air conditioning of high rooms. It is suitable for VVS systems with variable volumetric flows of 40 to 100 percent and is used for supply and return air. It is freely suspended and connected directly to the duct system.

In heating mode, vertical penetration depths of up to 15 metres in height are possible. In ventilation mode and in cooling mode, uniform room flushing is achieved by means of the large horizontal throw distance.

## Accessories

- Damper
- Rubber lip seal



### Cooling and heating mode in one

The stable air jet and high induction allow the SCHAKO IGA air diffuser to be used for large air volumes in cooling mode up to  $\Delta t \leq -12$  K. The resistance created by the faceplate ensures that the supply air is distributed equally across the whole surface of the ceiling diffuser. The SCHAKO IGA air diffuser for large air volumes is connected directly to the duct system without plenum box.

Due to its high induction, the IGA air diffuser allows very effective room flushing in ventilation and cooling mode. Due to actuators integrated as standard, the diffuser can be switched to heating mode with very good penetration depth.

## Benefits

The possibility of handling high air volumes by using the SCHAKO IGA air diffuser for large air volumes reduces the number of required air diffusers, thus allowing you to achieve considerable cost savings.

## Performance values

Volumetric flows of up to 7000 m<sup>3</sup>/h in supply air and up to 8500 m<sup>3</sup>/h in return air at a sound power level of 50 dB(A), depending on the size.

