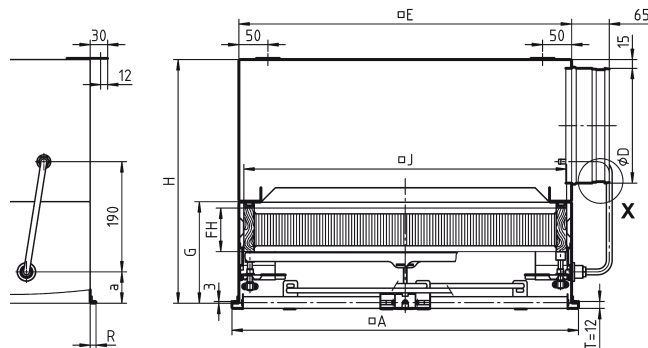


## Technical features

The particle filter box with air diffuser FDQJ in stainless steel design separates particles, radioactive dusts, mist, bacteria, viruses, etc. from the supply or return air by means of the integrated particle filter (according to DIN EN 1822). The air diffuser is connected to the filter box by means of concealed screw mounting. The filter cell can be removed and reinserted without tools. The basic equipment includes a differential pressure/aerosol monitoring device.

## Available sizes

NW	Filter dimensions		FDQJ-Z/FDQJ-A (Supply air/return air)						
	□ J	FH	□ A	∅ D	□ E	R	H	G	a
400	357	75	398	148	374	10	370	175	54
500	457	75	498	158	474	10	380	175	54
600	557	75	598	198	574	10	420	175	54
625	557	75	623	198	592	12	420	175	54
650	610	75	648	248	627	10	470	175	54
800	754	75	798	248	771	13.5	470	175	54



SCHAKO stands for competence in the ventilation and air conditioning technology. The quality standard and the reliability of our products are well-known throughout Europe. In our own test laboratories we develop solutions which sustainably optimise the indoor climate in work environments and public spaces. With sites in Germany, Spain, Hungary and Turkey we deliver quickly and flexibly in all of Europe.

We carry a broad standard range and are optimally geared to meet special air demands with individual and intelligent solutions.

### Pure competence in air

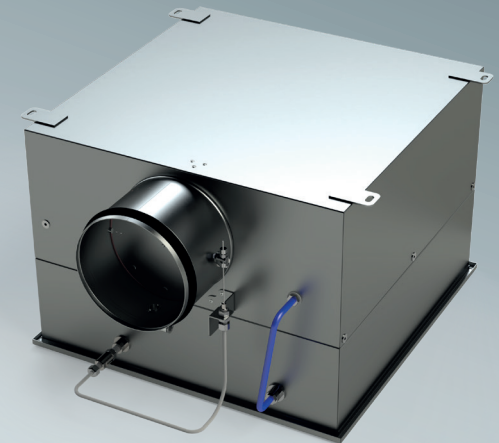
As specialists, the companies of **SCHAKO Group - ADMECO, NOVENCO Building & Industry, REVEN, SCHAKO, SCHNEIDER Elektronik and SIROCCO** – provide a unique portfolio of ventilation, air conditioning, smoke extraction and fire protection products and system solutions for the commercial construction, public buildings, canteen kitchens, laboratories, the process industry, stairwells, underground car parks and tunnel systems.

### SCHAKO Ferdinand Schad KG

Steigstraße 25- 27  
D-78600 Kolbingen  
Germany  
schako.com  
Version: 2021-04-09



Pure competence in air.



## FKU | FKF Stainless steel

### Durable and corrosion-protected filter box

The particle filter box for installation of filter cells for use in cleanrooms required by the pharmaceutical, electronic, precision mechanical and optical industries in hospitals and laboratories. The particle filter box FKU/FKF is made of stainless steel 1.4301, is corrosion-resistant and suitable for open visible mounting.



## Areas of application

### Air cleaning at the highest level

The particle filter box for use in supply and return air installations of cleanrooms required by the pharmaceutical, electronic, precision mechanical and optical industries, in operation theatres of hospitals and in laboratories.

## Accessories

- Shut-off damper, airtight to DIN EN 1751 class 4
- Differential pressure transducer to monitor filter contamination
- Rubber lip seal
- Antibacterial coating



## Function

### Highest safety with regard to separation

The particle filter box FKU/FKF with its integrated particle filter (H13/H14 according to DIN EN 1822) separates particles, radioactive dusts, mist, bacteria, viruses, etc. from the supply or return air. This ensures that the incoming and outgoing air flows are extremely clean and germ-free.

\* FKU with filter cell, with rubber seal

\* FKF with filter cell, with fluid seal



## Benefits

The particle filter box ensures that the incoming and outgoing air flows are extremely clean. It can be used for applications which require the highest corrosion resistance and have high visual requirements.

## Performance values

Volumetric flows of up to 1370 m<sup>3</sup>/h with an initial pressure loss of 120 Pa (FKF-...-800), depending on the particle filter H14 used.

Filtration efficiency in MPPS (most penetrating particle size): with H13 ≥ 99.95% and with H14 ≥ 99.995%

