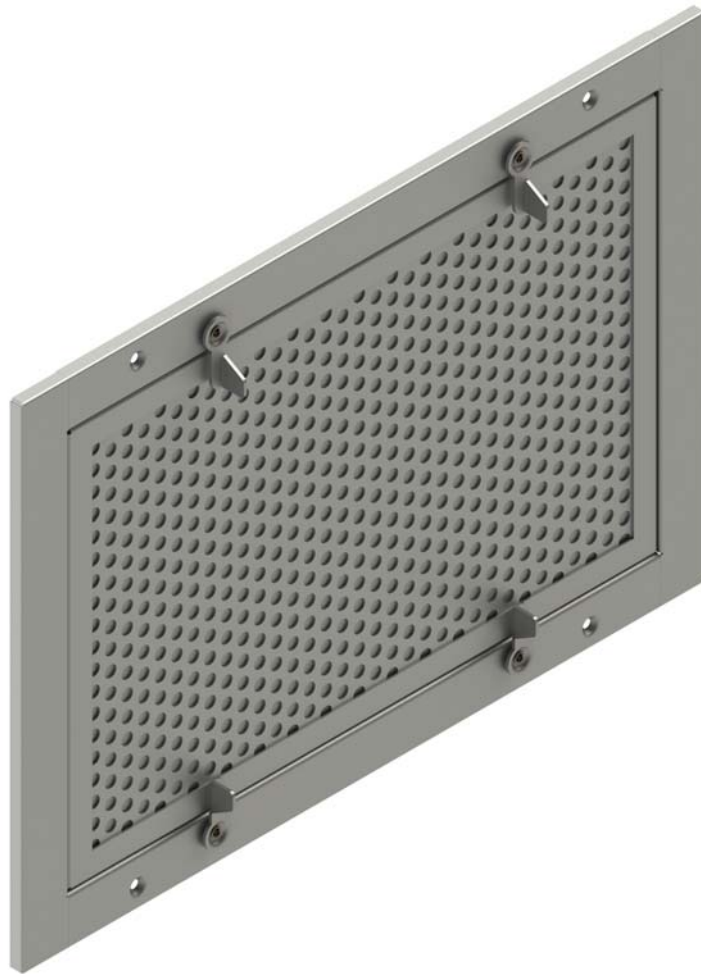




# Lint separator FLARE



Ferdinand Schad KG  
Steigstraße 25-27  
D-78600 Kolbingen  
Telefon 0 74 63 - 980 - 0  
Telefax 0 74 63 - 980 - 200  
[info@schako.de](mailto:info@schako.de)  
[www.schako.de](http://www.schako.de)

# Lint separator FLARE

## Contents

<b>Description</b> .....	<b>3</b>
Construction .....	3
Model .....	3
Accessories .....	3
Fastening .....	3
Special features .....	3
<b>Models and dimensions</b> .....	<b>4</b>
Dimensions .....	4
Dimensions of accessories .....	5
Fastening methods .....	6
<b>Technical data</b> .....	<b>7</b>
Pressure loss and noise level .....	7
<b>Legend</b> .....	<b>10</b>
<b>Order code FLARE</b> .....	<b>11</b>
<b>Order code AK</b> .....	<b>12</b>
<b>Specification texts</b> .....	<b>13</b>

## Lint separator FLARE

### Description

To **separate textile fibre from the return air** of clean rooms, in particular operating theatres and their adjoining rooms, a lint separator is used. The separation takes place directly at the extraction point. As a component of the ventilation installation, the separator is mounted in the exhaust air outlet flush with the operating theatre wall or in overflow openings. This **protects the air-conditioning ducts and the downstream filters** by separating fibre particles in the operating theatre area and **allows an economic and smooth operation of the ventilation and air conditioning installation**. The lint separator can be cleaned with sterile cloths commonly used in the operating theatre, but also in suitable operating theatre cleaning machines. Cleaning should be done once a week or when soiled. For cleaning, the lint separator can be easily taken out by rotating the sash lock.

### Construction

Lint separator insert

- Perforated sheet steel painted to RAL 9010 (white), with back-fitted wire fabric made of stainless steel 1.4301 (V2A), mesh width 0.8 mm x 0.5 mm (-PS)
- Stainless steel 1.4301 (V2A) painted in the colour sand silver, with back-fitted wire fabric made of stainless steel 1.4301 (V2A), mesh width 0.8 mm x 0.5 mm (-V2)

Frame

- Sheet steel painted to RAL 9010 (white) (-9010) or a RAL colour of your choice (-xxxx).
- Stainless steel 1.4301 (V2A) painted in the colour sand silver (-SAND)

Sash lock

- Sheet steel painted to RAL 9010 (white) (-9010) or a RAL colour of your choice (-xxxx).
- Stainless steel 1.4301 (V2A) painted in the colour sand silver (-SAND)

### Model

FLARE-...-A-... - Rectangular design, for return air

### Accessories

Plenum box (-AK-36...)

- Rectangular design.
- Fastening:
  - Screw mounting (-SM, standard)
  - Concealed mounting (-VM), additionally with pole brace made of aluminium and pole brace holder made of plastic
- Housing with round connection spigot and fixing lugs consisting of:
  - Sheet steel (-SB, standard), painted inside and outside to RAL 9010 (white)
  - Stainless steel V2A (-V2)

- Height of plenum box:
  - Standard (-KHS)
  - Can be freely selected (-xxx in mm) (minimum height with spigot position -S1 / -S4 = spigot diameter + 87 mm)
- Width of plenum box:
  - Standard (-KBS)
  - Can be freely selected (-xxx in mm) (minimum width with spigot position -S0 / -S4 = spigot diameter + 30 mm)
- Spigot diameter:
  - Standard (-SDS)
  - Can be freely selected (-xxx, in mm)
- Spigot position:
  - 1 spigot from above (-S0)
  - 1 lateral spigot on the box (-S1, standard)
  - 1 spigot front side (-S4)

Damper (-DK1), for AK-...

- in plenum box
- Damper made of electrolytically galvanised sheet steel
- Damper fastening made of plastic

Rubber lip seal (-GD1), for AK-...

- Special rubber, on plenum box connection spigot

Thermal insulation (-li / -la), for AK-...

- internal (-li), inside the plenum box
- external (-la), on the outside of the plenum box (only available with already bent fixing lugs)

Installation frame (-ER1 / -ER2)

- without wall anchor (-ER1) (standard)
- with wall anchor (-ER2) (only at an extra charge)
- consisting of electrolytically galvanised sheet steel
- not possible in connection with a plenum box

### Fastening

Screw mounting (-SM) (standard)

- Standard, screws must be provided on site

Concealed mounting (-VM)

- only possible in connection with an installation frame or plenum box

### Special features

#### Attention!

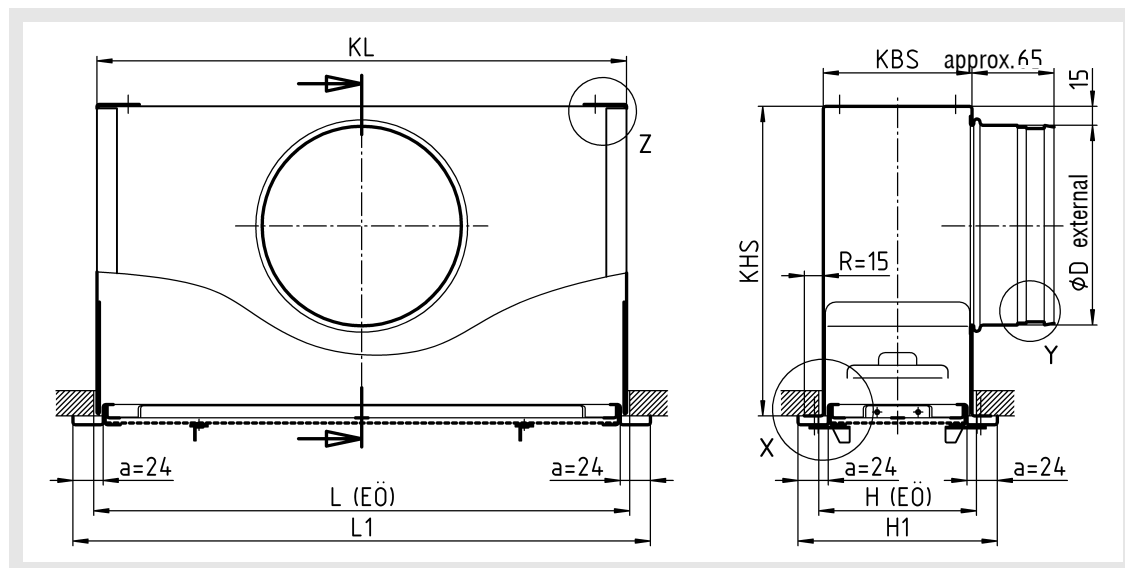
We would like to point out that for cleaning stainless steel models, only suitable cleaning materials may be used!

## Lint separator FLARE

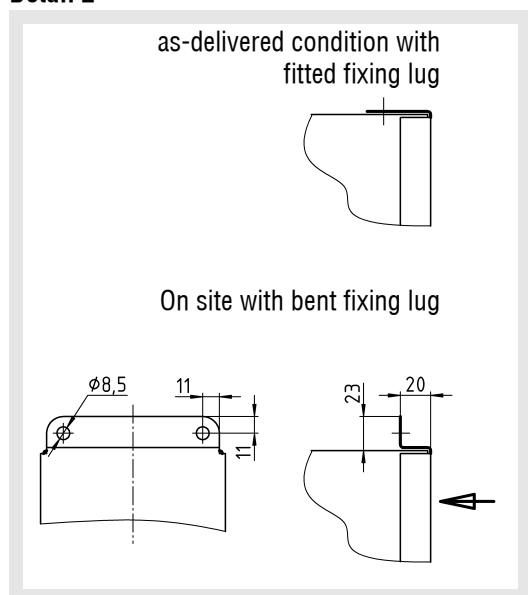
### Models and dimensions

#### Dimensions

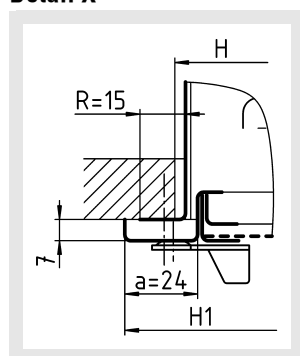
FLARE-...-SM-... with AK-36-...-S1



#### Detail Z



#### Detail X



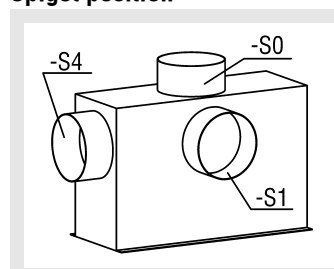
#### Available sizes

	125	225	325	H
	158	258	358	H1
	118	218	318	KBS

L	L1	KL	øD	KHS	øD	KHS	øD	KHS
225	258	220	123	210	158	245	198	285
325	358	320	158	245	198	285	248	335
425	458	420	158	245	198	285	248	335
525	558	520	158	245	198	285	248	335
625	658	620	158	245	248	335	313	400

#### Spigot position



- Lateral spigot (-S1, standard)
- Spigot from above (-S0)
- Spigot front side (-S4)

Dimensions for spigot from above (-S0) and spigot front side (-S4) upon request.

Minimum height KHS with spigot position -S1 / -S4:  
spigot diameter + 87 mm

Minimum width KBS with spigot position -S0 / -S4:  
spigot diameter + 30 mm

See page 5 for detail Y.

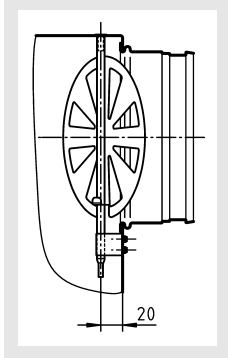
See page 6 for dimensions of SM mounting.

EÖ = Installation opening

## Lint separator FLARE

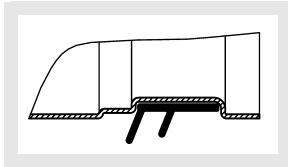
### Dimensions of accessories

#### Damper (-DK1), for AK-...

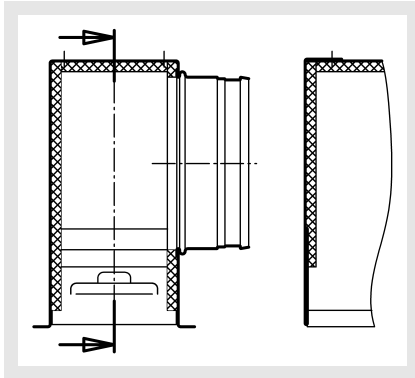


#### Rubber lip seal (-GD1), for AK-...

##### Detail Y

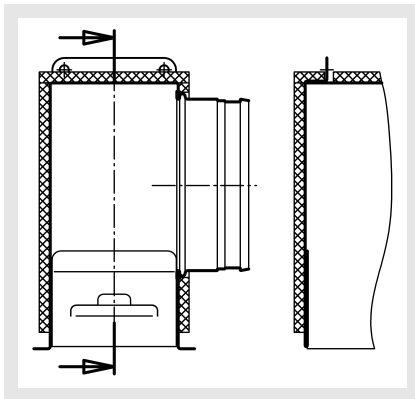


#### Thermal insulation (-li / -la), for AK-... internal (-li)

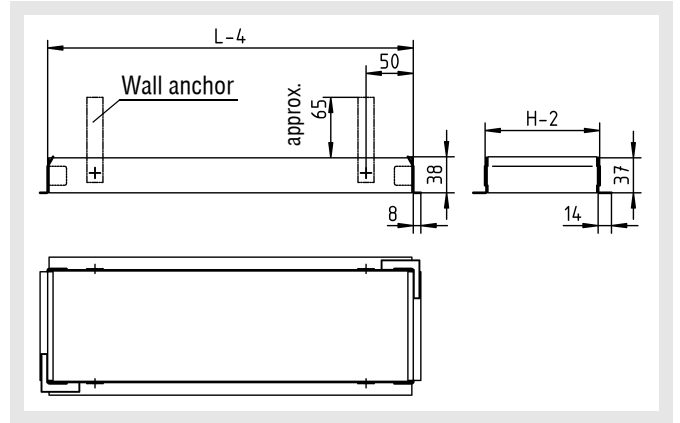


#### external (-la)

In case of an external insulation, the fixing lugs are already bent in the as-delivered condition.



#### Installation frame (-ER1 / -ER2)



#### Mounting frame design:

- without wall anchor (-ER1) (standard)
  - with wall anchor (-ER2) (only at an extra charge)
- Mounting frames are only delivered with 4 wall anchors on special request.

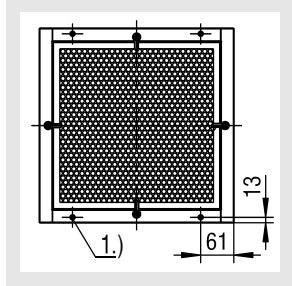
## Lint separator FLARE

### Fastening methods

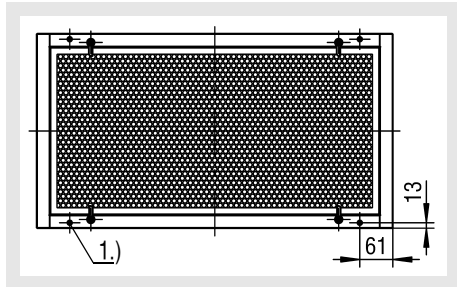
#### SM mounting

#### FLARE-...-SM - with 4 sash locks

225x125 / 225x225 / 325x325 (LxH)

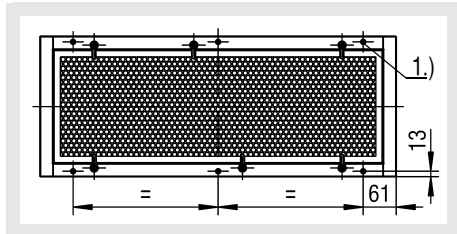


325x125 / 325x225 / 425x125 / 425x225 / 425x325 /  
525x125 / 525x225 / 525x325 (LxH)



#### FLARE-...-SM - with 6 sash locks

625x125 / 625x225 / 625x325 (LxH)

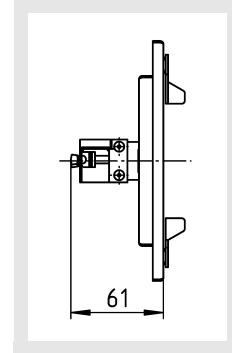


1.) with 4 or 6 indentations for on site slotted shallow-raised countersunk-head tapping screws DIN ISO 7051 pitch 3.9

#### Concealed mounting

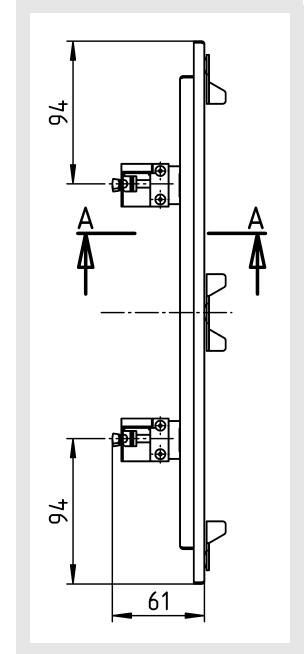
#### FLARE-...-VM-H=125/225

(1 each on H side)



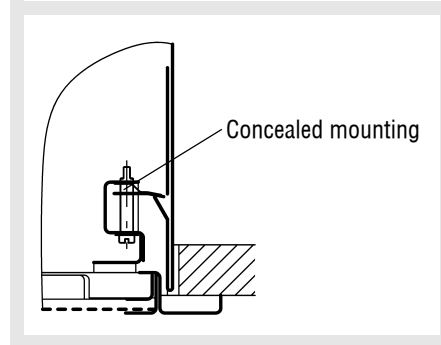
#### FLARE-...-VM-H=325

(2 each on H side)



#### Section A-A (drawn rotated by 90°)

(Shown with plenum box AK-...)



Number of concealed mounting (-VM):

H=125 / 225 with 2 concealed mountings VM11

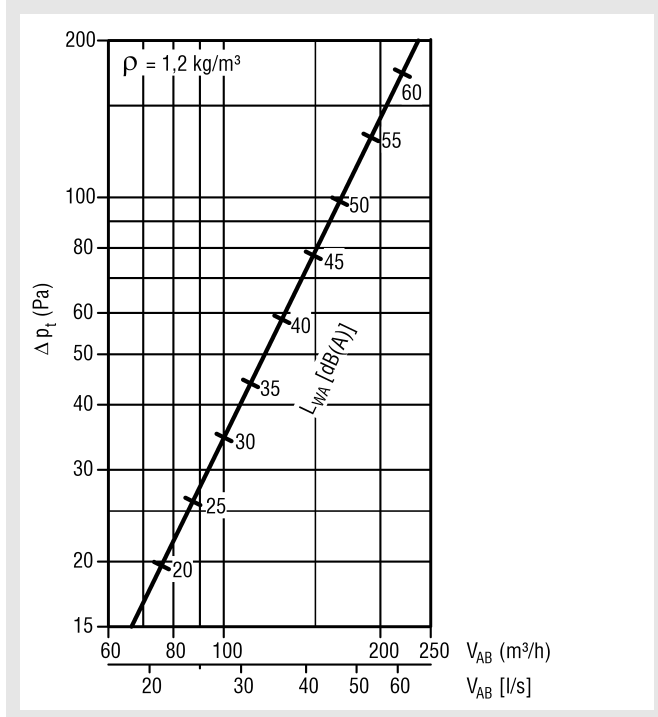
H = 325 with 4 concealed mountings VM11

For number and position of sash locks, see SM mounting.

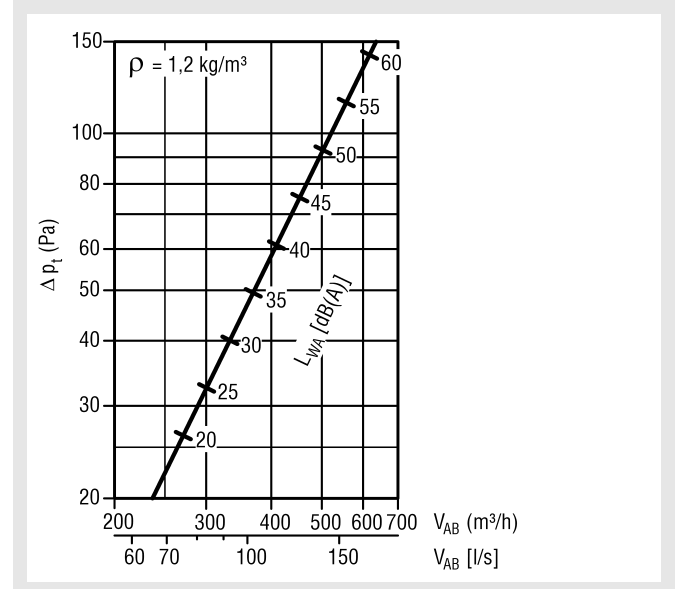
## Lint separator FLARE Technical data

### Pressure loss and noise level

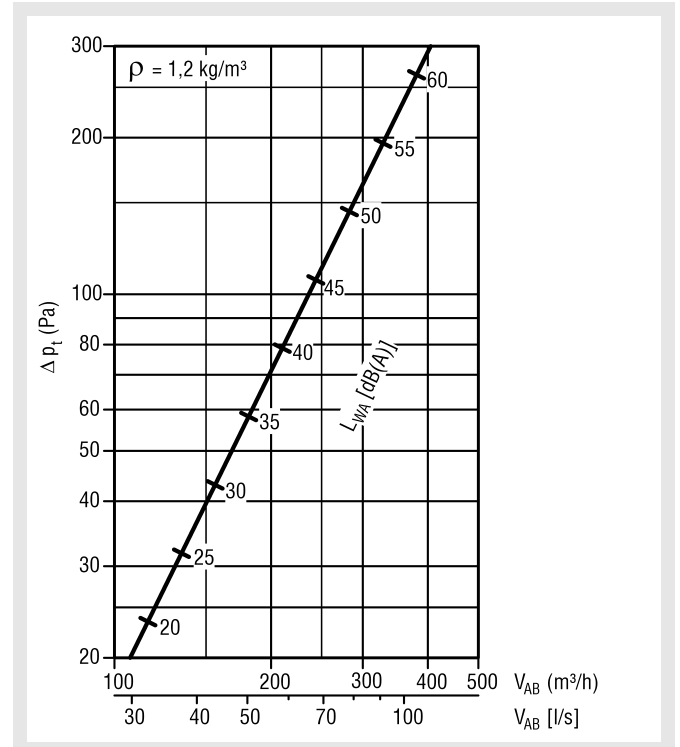
FLARE-...-225-125-... with AK-36-...



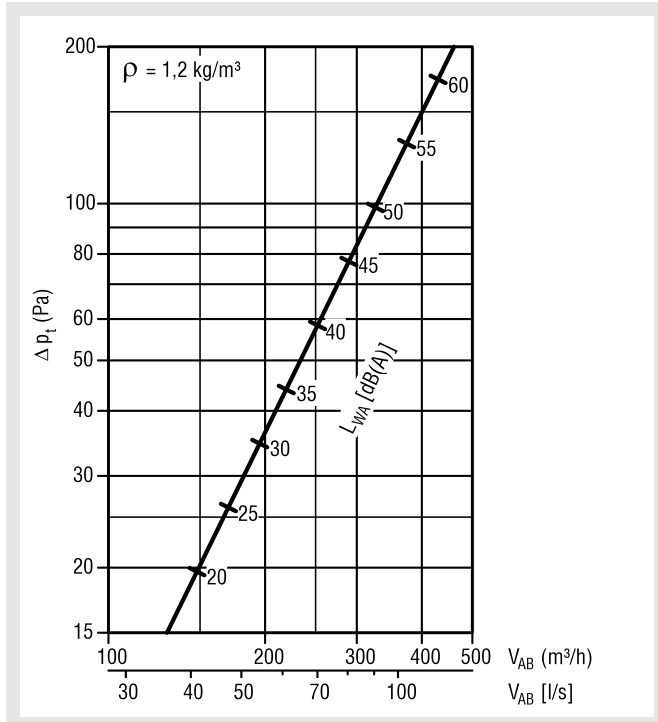
FLARE-...-225-325-... with AK-36-...



FLARE-...-325-125-... with AK-36-...

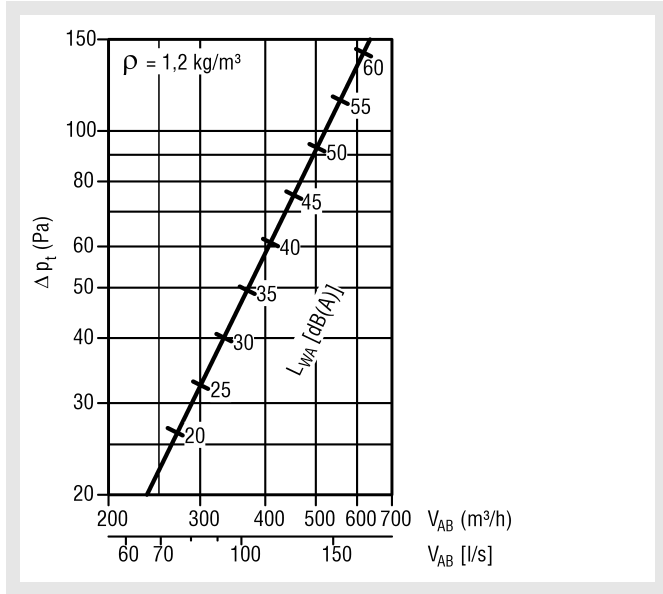


FLARE-...-225-225-... with AK-36-...

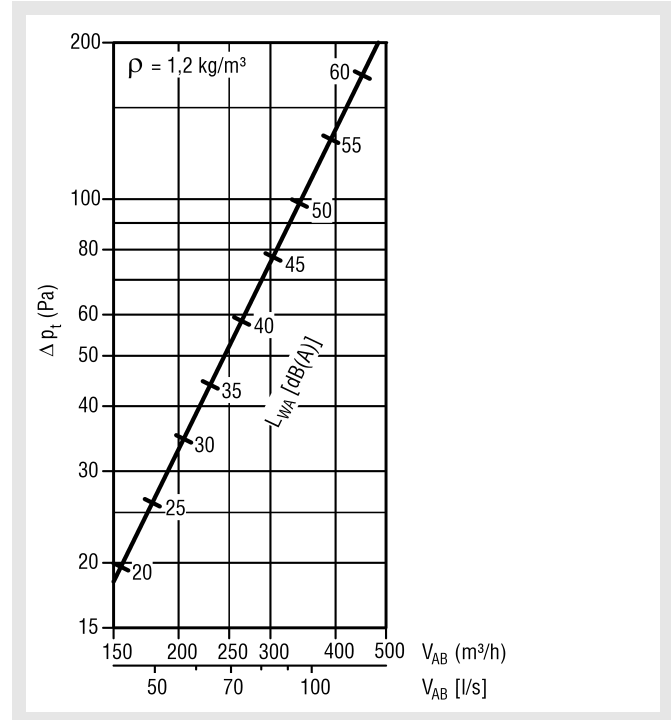


## Lint separator FLARE

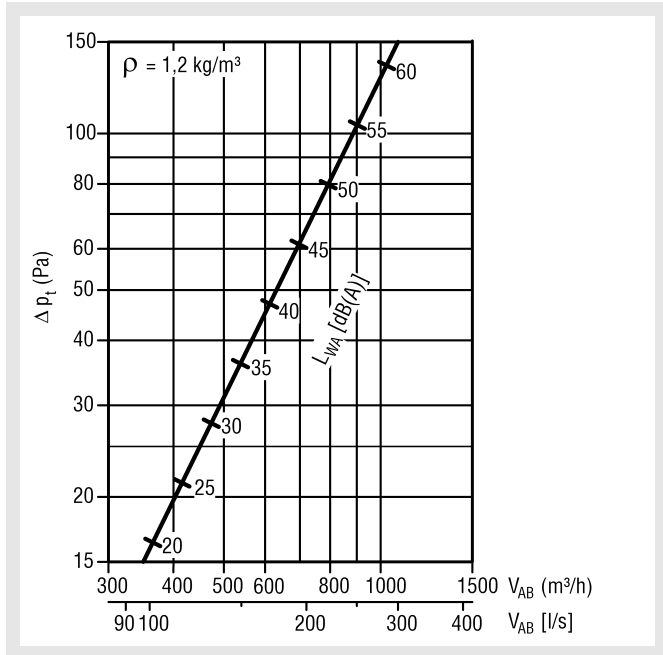
FLARE-...-325-225-... with AK-36-...



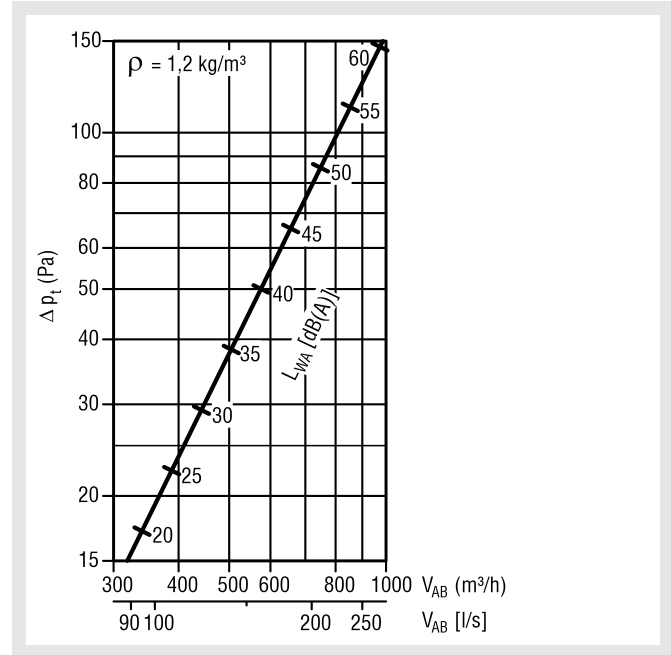
FLARE-...-425-125-... with AK-36-...



FLARE-...-325-325-... with AK-36-...



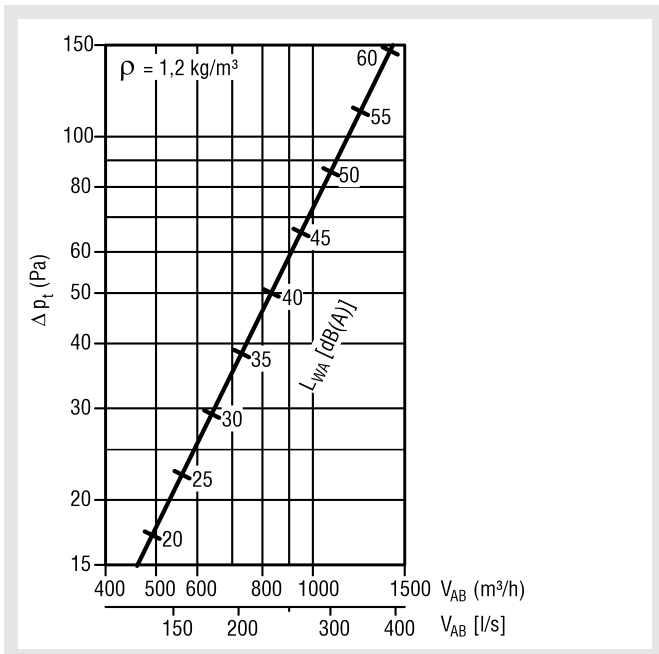
FLARE-...-425-225-... with AK-36-...



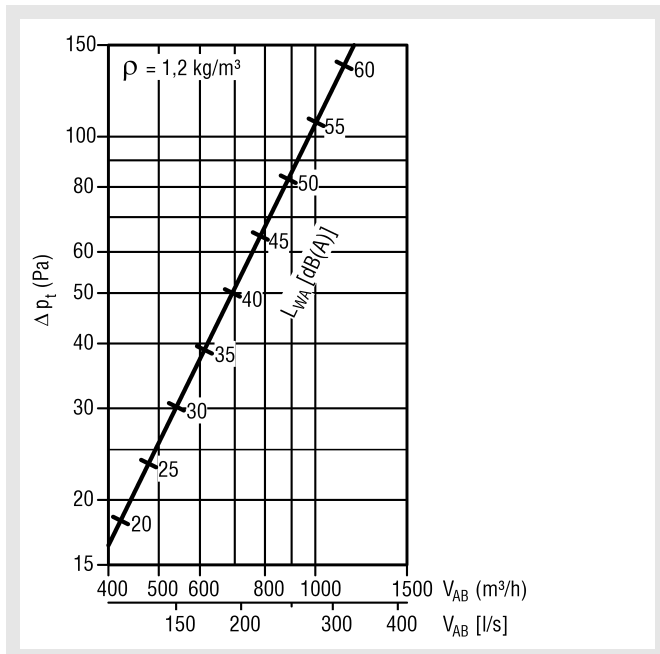


## Lint separator FLARE

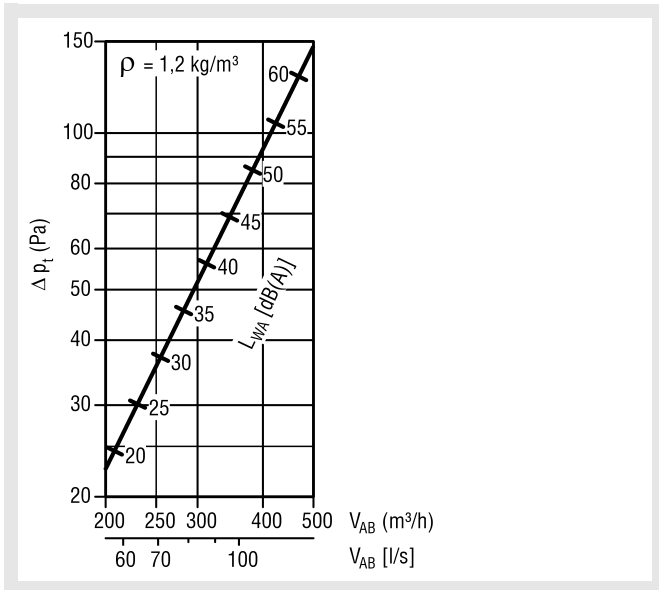
FLARE-...-425-325-... with AK-36-...



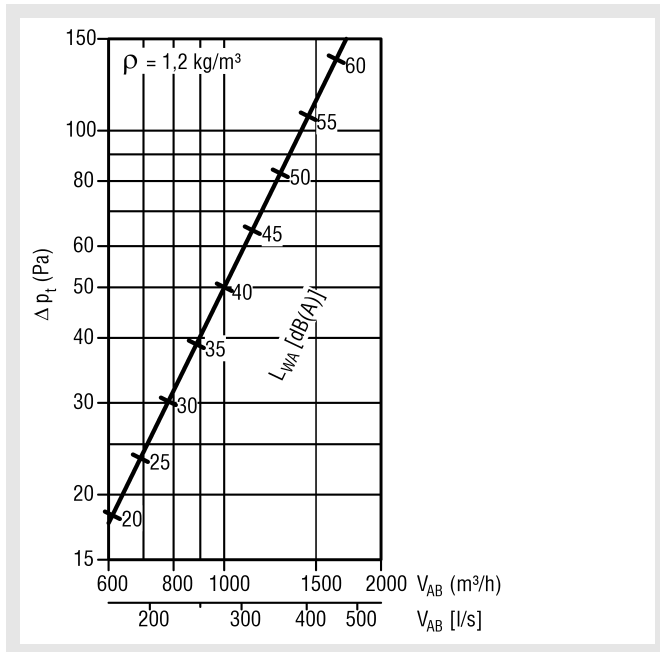
FLARE-...-525-225-... with AK-36-...



FLARE-...-525-125-... with AK-36-...

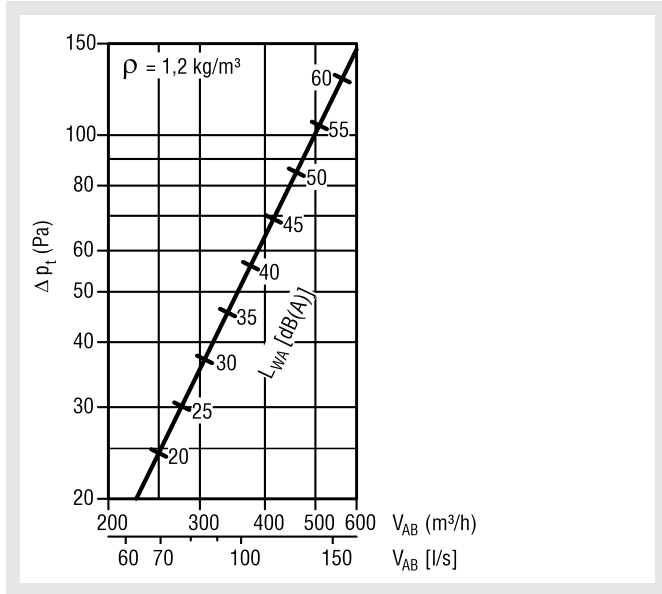


FLARE-...-525-325-... with AK-36-...

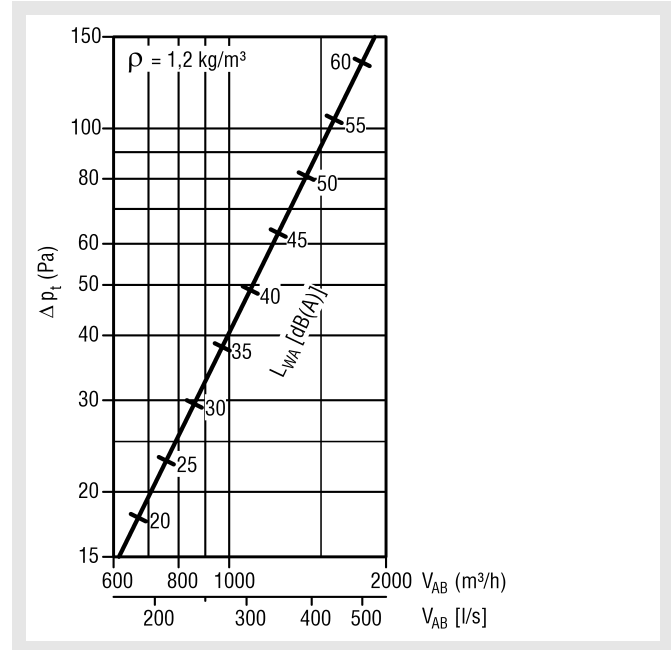


## Lint separator FLARE

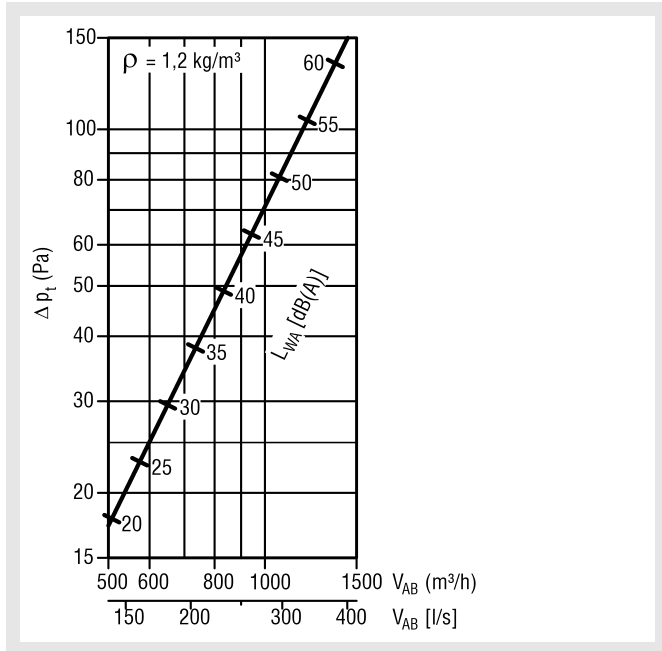
FLARE-...-625-125-... with AK-36-...



FLARE-...-625-325-... with AK-36-...



FLARE-...-625-225-... with AK-36-...



### Legend

$V_{AB}$	(m <sup>3</sup> /h)	=	Return air volume
$V_{AB}$	[l/s]	=	Return air volume
$\Delta p_t$	(Pa)	=	Pressure loss
$\rho$	(kg/m <sup>3</sup> )	=	Density
$L_{WA}$	[dB(A)]	=	A-weighted sound power level
L	(mm)	=	Length
H	(mm)	=	Height
approx.	(-)	=	approximately

## Lint separator FLARE

### Order code FLARE

01	02	03	04	05	06	07	08
Type	Model	Length	Height	Air throw	Frame colour	Mounting	Installation frame
<b>Example</b>							
FLARE	-PS	-625	-125	-A	-9010	-SM	-ERO

#### Sample

**FLARE-PS-625-125-A-9010-SM-ERO**

Lint separator type FLARE | perforated sheet steel | grille length 625mm | grille height 125mm | return air | frame painted to RAL 9010 (white) | screw mounting | without mounting frame

#### Order details

##### 01 - Type

FLARE = Rectangular lint separator

##### 02 - Model

PS = Perforated sheet steel with back-fitted wire fabric made of stainless steel 0.8 mm x 0.5 mm (standard)

V2 = Stainless steel (V2A), perforated, with back-fitted wire fabric made of stainless steel 0.8 mm x 0.5 mm

##### 03 - Length

225 = Grille length 225 mm

325 = Grille length 325 mm

425 = Grille length 425 mm

525 = Grille length 525 mm

625 = Grille length 625 mm

##### 04 - Height

125 = Grille height 125 mm

225 = Grille height 225 mm

325 = Grille height 325 mm

##### 05 - Air throw

A = Return air

##### 06 - Frame colour

9010 = RAL colour white (standard for -PS model)

SAND = Painted sand silver (standard for -V2 model)

xxxx = RAL colour of your choice

##### 07 - Mounting

SM = Screw mounting (standard)

VM = Concealed mounting (only possible in connection with an installation frame or a plenum box)

##### 08 - Mounting frame

ERO = Without mounting frame (standard)

ER1 = With installation frame (not available in connection with plenum box AK-...)

ER2 = including mounting frame with wall anchors (not available in connection with plenum box AK)

## Lint separator FLARE

### Order code AK

01	02	03	04	05	06	07
plenum box	Air diffuser	Length	Height	Single / band design	Fastening	Material
<b>Example</b>						
AK	-36	-425	-225	-N	-SM	-SB

08	09	10	11	12	13	14
Damper	Rubber lip seal	Insulation	Height of plenum box	Width of box	Spigot diameter	Spigot position
-DK1	-GD1	-I0	-KHS	-KBS	-SDS	-S1

#### Sample

**AK-36-425-225-N-SM-SB-DK1-GD1-I0-KHS-KBS-SDS-S1**

Plenum box, rectangular design | suitable for lint separator FLARE | length 425 mm | height 225 mm | standard length | with screw mounting | sheet steel | with damper | with rubber lip seal | without box insulation | standard height of box | standard width of box | standard spigot diameter | lateral spigot

#### Order details

##### 01 - Plenum box

AK = Plenum box, rectangular design

##### 02 - Air diffuser (must be ordered separately)

36 = suitable for FLARE-...

##### 03 - Length

225 = Grille length 225 mm  
 325 = Grille length 325 mm  
 425 = Grille length 425 mm  
 525 = Grille length 525 mm  
 625 = Grille length 625 mm

##### 04 - Height

125 = Grille height 125 mm  
 225 = Grille height 225 mm  
 325 = Grille height 325 mm

##### 05 - Single / band design

N = Single length (standard)

##### 06 - Fastening

SM = Screw mounting (standard)  
 VM = Concealed mounting

##### 07 - Material

SB = Sheet steel (standard)  
 V2 = Stainless steel (V2A)

##### 08 - Damper

DK0 = Without damper (standard)  
 DK1 = With damper

##### 09 - Rubber lip seal

GD0 = Without rubber lip seal (standard)  
 GD1 = With rubber lip seal

##### 10 - Insulation

I0 = Without insulation (standard)  
 Ii = With box insulation inside  
 Ia = With box insulation outside

##### 11 - Height of plenum box

KHS = Height of plenum box standard  
 xxx = Height of plenum box in mm  
 (Minimum height with spigot position -S1 / -S4 = spigot diameter  $\varnothing$ D + 87 mm)

##### 12 - Width of box

KBS = Standard width of box  
 xxx = Width of box in mm  
 (minimum width with spigot position -S0 / -S4 = spigot diameter  $\varnothing$ D + 30 mm)

##### 13 - Spigot diameter

SDS = Standard spigot diameter  
 xxx = Spigot diameter in mm

##### 14 - Spigot position

S0 = Spigot from above  
 S1 = Lateral spigot on the box (standard)  
 S4 = Spigot front side

## Lint separator FLARE

### Specification texts

Lint separator for filtering textile fibre charged return air from clean rooms, consisting of a rectangular frame and a fitted, replaceable lint separator insert made of sheet steel painted to RAL 9010 (white) (-PS-9010), sheet steel painted to RAL colour which can be freely selected (-PS-xxxx) or stainless steel 1.4301 (V2A) sand silver painted (-V2-SAND), with back-fitted wire fabric made of stainless steel 1.4301 (V2A), mesh width 0.8 mm x 0.5 mm.

For cleaning and disinfection purposes, easy to disassemble by turning the sash lock.

Product: SCHAKO **type FLARE-...-A-...**

#### Fastening:

- With screw mounting (-SM, standard)
- with concealed mounting (-VM)  
(only possible in connection with an installation frame or a plenum box)

#### Accessories:

Plenum box (-AK-36-...-N-...), in rectangular design, for single length.

- Housing with round connection spigot and fixing lugs consisting of:
  - Sheet steel (-SB, standard), painted inside and outside to RAL 9010 (white)
  - Stainless steel V2A (-V2)
- Fastening:
  - Screw mounting (-SM, standard)
  - Concealed mounting (-VM), additionally with pole brace made of aluminium and pole brace holder made of plastic
- Height of plenum box: standard (-KHS) or freely selectable (-xxx, in mm) (minimum height with spigot position -S1 / -S4 = spigot diameter +87 mm)
- Width of plenum box: standard (-KBS) or freely selectable (-xxx in mm) (minimum width with spigot position -S0 / -S4 = spigot diameter  $\varnothing$ D + 30 mm)
- Spigot diameter: standard (-SDS) or freely selectable (-xxx, in mm)
- Spigot position:
  - 1 spigot from above (-S0)
  - 1 lateral spigot on the box (-S1, standard)
  - 1 spigot front side (-S4)
- with damper (-DK1) in plenum box, adjustable, for simple air volume regulation. Consisting of electrolytically galvanised sheet steel. plastic damper fixing
- with rubber lip seal (-GD1), at the connection spigot made of special rubber.
- with thermal insulation:
  - internal (-li), inside the plenum box
  - external (-la), at the outside of the plenum box
- Installation frame (-ER1 / -ER2), comprising electrolytically galvanised sheet steel (not available in connection with plenum box).
  - without wall anchor (-ER1), (standard)
  - with wall anchor (-ER2) (only at an extra charge)