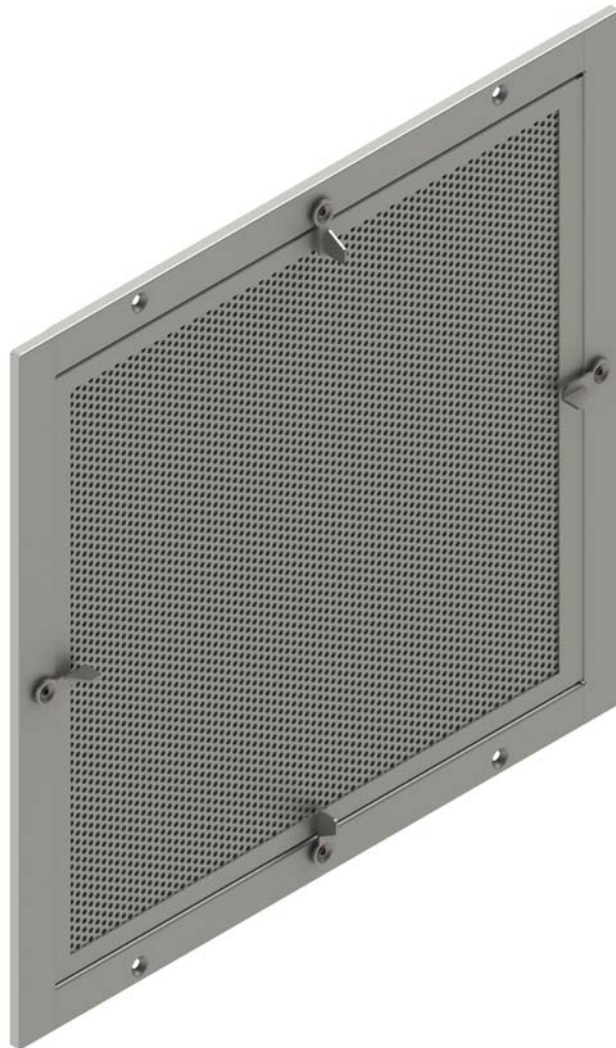




Lint separator FLAQ



Ferdinand Schad KG
Steigstraße 25-27
D-78600 Kolbingen
Telefon 0 74 63 - 980 - 0
Telefax 0 74 63 - 980 - 200
info@schako.de
www.schako.de

Lint separator FLAQ

Contents

Description	3
Construction	3
Model	3
Accessories	3
Fastening	3
Special features	3
Models and dimensions	4
Dimensions	4
Dimensions of accessories	5
Fastening methods	6
Technical data	7
Pressure loss and noise level	7
Legend	8
Order code FLAQ	9
Order code SK	10
Specification texts	11

Lint separator FLAQ

Description

To **separate textile fibre from the return air** of clean rooms, in particular operating theatres and their adjoining rooms, a lint separator is used. The separation takes place directly at the extraction point. As a component of the ventilation installation, the separator is mounted in the exhaust air outlet flush with the operating theatre wall or in overflow openings. This **protects the air-conditioning ducts and the downstream filters** by separating fibre particles in the operating theatre area and **allows an economic and smooth operation of the ventilation and air conditioning installation**. The lint separator can be cleaned with sterile cloths commonly used in the operating theatre, but also in suitable operating theatre cleaning machines. Cleaning should be done once a week or when soiled. For cleaning, the lint separator can be easily taken out by rotating the sash lock.

Construction

Lint separator insert

- Perforated sheet steel painted to RAL 9010 (white), with back-fitted wire fabric made of stainless steel 1.4301 (V2A), mesh width 0.8 mm x 0.5 mm (-PS)
- Stainless steel 1.4301 (V2A) painted in the colour sand silver, with back-fitted wire fabric made of stainless steel 1.4301 (V2A), mesh width 0.8 mm x 0.5 mm (-V2)

Frame

- Sheet steel painted to RAL 9010 (white) (-9010) or a RAL colour of your choice (-xxxx).
- Stainless steel 1.4301 (V2A) painted in the colour sand silver (-SAND)

Sash lock

- Sheet steel painted to RAL 9010 (white) (-9010) or a RAL colour of your choice (-xxxx).
- Stainless steel 1.4301 (V2A) painted in the colour sand silver (-SAND)

Model

FLAQ-...-A-... - Square model, for return air

Accessories

Plenum box (SK-Q-19-A-...)

- for square air diffusers
- Housing with round spigot and fixing lugs consisting of:
 - Sheet steel (-SB), painted inside and outside to RAL 9010 (white)
 - Stainless steel V2A (-V2)
- Model for return air (-A)
- Fastening:
 - Screw mounting (-SM, standard)
 - Concealed mounting (-VM), additionally with pole brace made of aluminium and pole brace holder made of plastic

- Height of plenum box:
 - Standard (-KHS)
 - Can be freely selected (-xxx in mm) (minimum height with spigot position -S1 / -S2 / -S3 / -S5 = spigot diameter $\varnothing D + 102$ mm, but at least 200 mm)
- Spigot diameter $\varnothing D$:
 - Standard (-SDS)
 - Can be freely selected (-xxx, in mm).
- Spigot position:
 - 1 spigot from above (-S0)
 - 1 lateral spigot (-S1) (standard)
 - 2 lateral spigots, offset by 90° (-S2)
 - 2 lateral spigots, offset by 180° (-S3)
 - 2 spigots arranged next to each other (-S5)

Damper (-DK1), for SK-Q-...

- in plenum box
- Damper made of galvanised sheet steel
- Damper fastening made of plastic

Volumetric flow meter (-VME1), for SK-Q-... (not for use with a damper)

- in the plenum box at the connection spigot
- Mounting made of galvanised sheet steel
- Measuring sensor made of plastic
- Aluminium connections

ROB version (-ROB1), for SK-Q-...

- Removable damper and volumetric flow meter

Rubber lip seal (-GD1), for SK-Q-...

- on plenum box adapter.
- Special rubber

Thermal insulation (-li / -la), for SK-Q-...

- internal (-li), inside the plenum box
- external (-la), at the outside of the plenum box

Installation frame (-ER1 / -ER2)

- without wall anchor (-ER1) (standard)
- with wall anchor (-ER2) (only at an extra charge)
- consisting of electrolytically galvanised sheet steel
- not possible in connection with a plenum box

Fastening

Screw mounting (-SM) (standard)

- Standard, screws must be provided on site

Concealed mounting (-VM)

- only possible in connection with an installation frame or a plenum box

Special features

Attention!

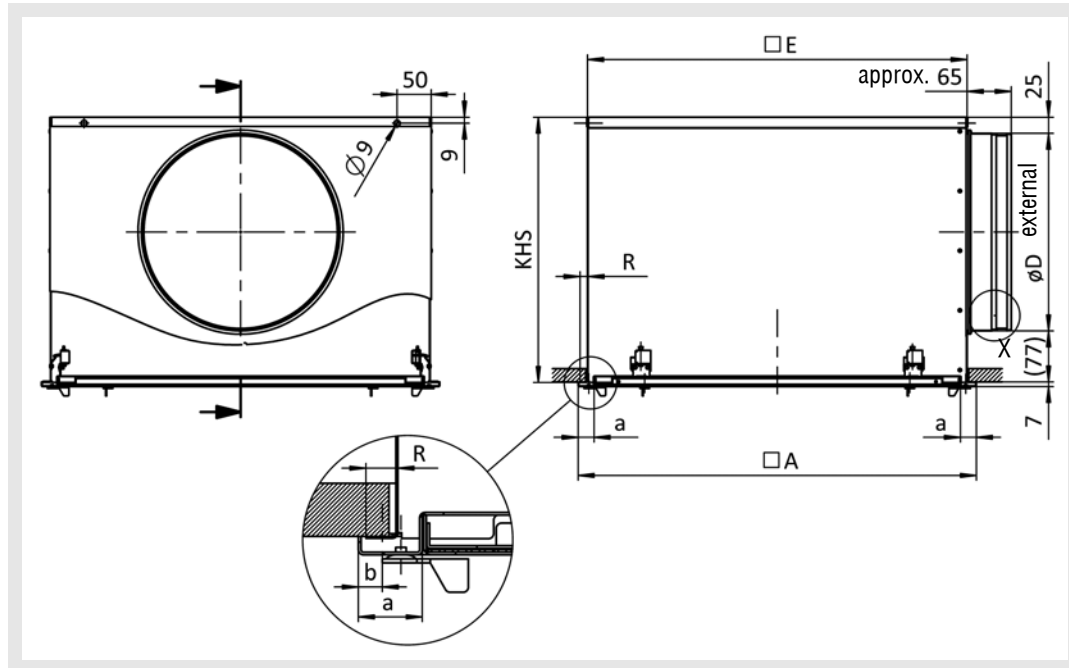
We would like to point out that for cleaning stainless steel models, only suitable cleaning materials may be used!

Lint separator FLAQ

Models and dimensions

Dimensions

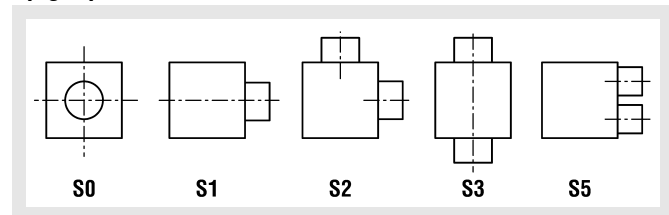
FLAQ-...-VM-... with SK-Q-19-A-...-S1



Available sizes

NW	$\square A$	$\square E$	R	a	b	KHS	ϕD	ϕD_{max} for ...-S5
310	308	290	8	24	7	300	198	98
400	398	370	12	24	9	300	198	138
500	498	470	12	24	9	350	248	198
600	598	570	12	24	9	400	298	248
625	623	570	24	37	22	400	298	248
800	798	770	12	24	9	455	353	353

Spigot position



- S0 = spigot from above
- S1 = 1 lateral spigot on the box (standard)
- S2 = 2 spigots offset by 90°
- S3 = 2 spigots offset by 180°
- S5 = 2 spigots arranged next to each other

Dimensions for spigot position -S0 / -S2 / -S3 / -S5 on request.

Minimum height with spigot position -S1 / -S2 / -S3 / -S5 = spigot diameter ϕD + 102 mm, but at least 200 mm.

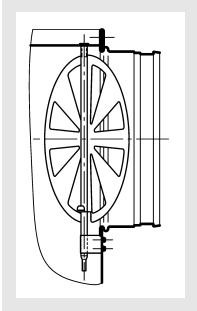
See page 5 for detail X.

See page 6 for dimensions of SM mounting.

Lint separator FLAQ

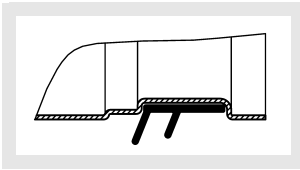
Dimensions of accessories

Damper (-DK1), for SK-Q-...



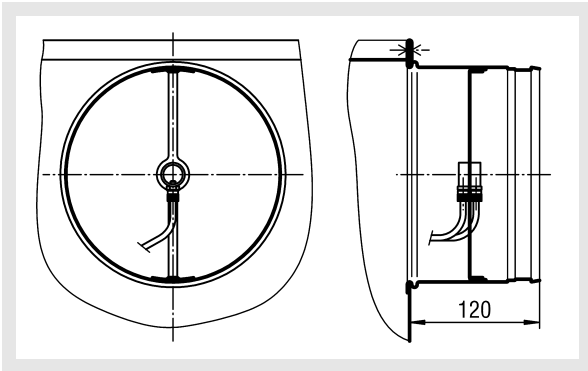
Rubber lip seal (-GD1), for SK-Q-...

Detail X



Volumetric flow meter (-VME1), for SK-Q-...

(not for use with a damper)



ROB version (-ROB1), for SK-Q-...

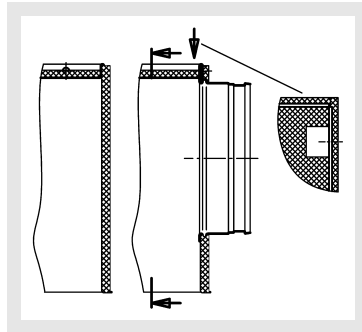
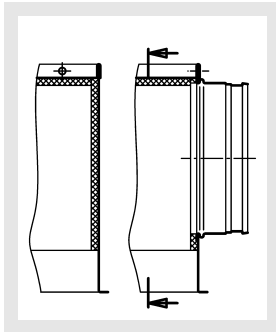
(only possible for SK-Q-19-... plenum box)

Removable damper and volumetric flow meter

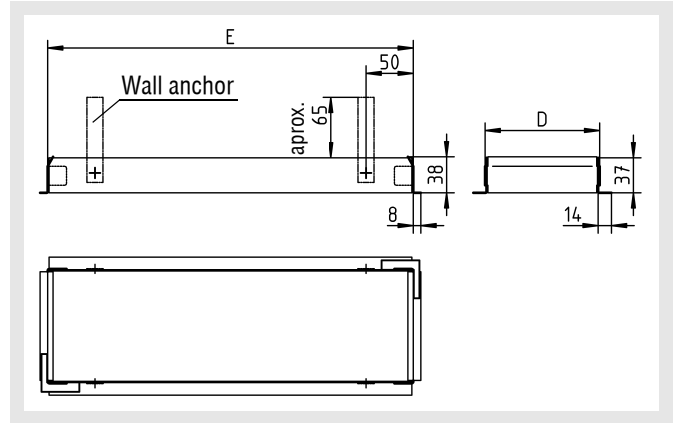
Thermal insulation, for SK-Q-...

internal (-li)

external (-la)



Installation frame (-ER1 / -ER2)



	D	E
FLAQ-...	A-37	A-35

Mounting frame design:

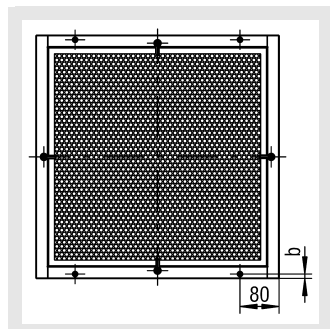
- without wall anchor (-ER1) (standard)
 - with wall anchor (-ER2) (only at an extra charge)
- Mounting frames are only delivered with 4 wall anchors on special request.

Lint separator FLAQ

Fastening methods

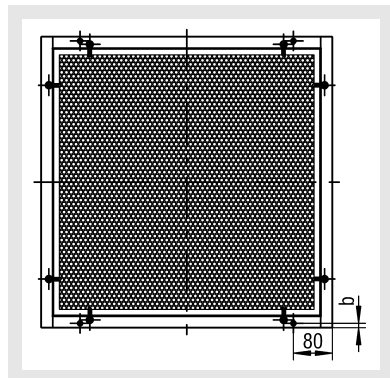
SM mounting

FLAQ-...-310-SM-... to FLAQ-...-500-SM-...
with 4 sash locks

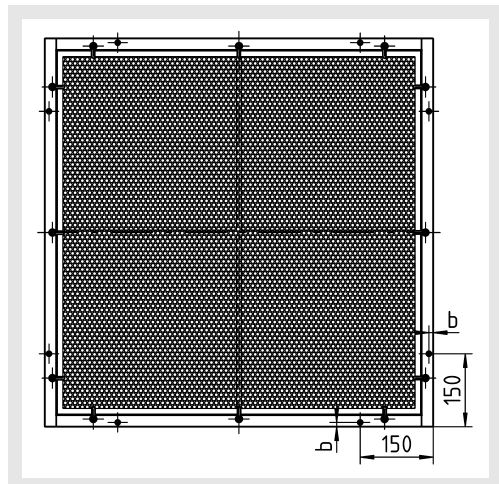


NW	b
310	7
400	9
500	9
600	9
625	22
800	9

FLAQ-...-600-SM-... to FLAQ-...-625-SM-...
with 8 sash locks



FLAQ-...-800-SM-...
with 12 sash locks

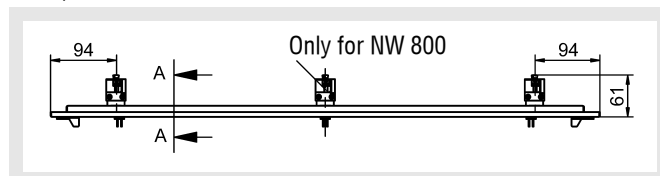


FLAQ-...-310-... :
with 4 indentations for on-site slotted shallow-raised counter-sunk-head tapping screws DIN ISO 7051 pitch 3.9

FLAQ-...-400-... to FLAQ-...-625-... :
with 4 indentations for on-site slotted shallow-raised counter-sunk-head tapping screws DIN ISO 7051 pitch 4.8

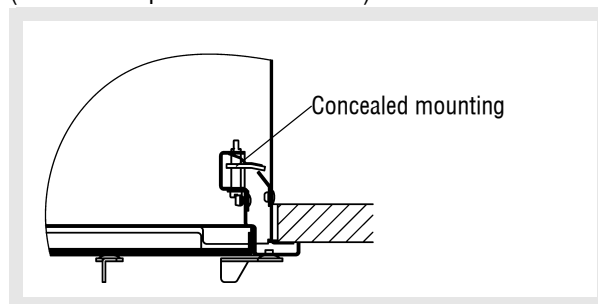
FLAQ-...-800-... :
with 8 indentations for on-site slotted shallow-raised counter-sunk-head tapping screws DIN ISO 7051 pitch 4.8

Concealed mounting FLAQ-...-310 to 800-VM



Section A-A

(Shown with plenum box SK-Q-...)



Number of concealed mounting:

NW 310 - 625 = 4 VM mountings

NW 800 = 6 VM mountings

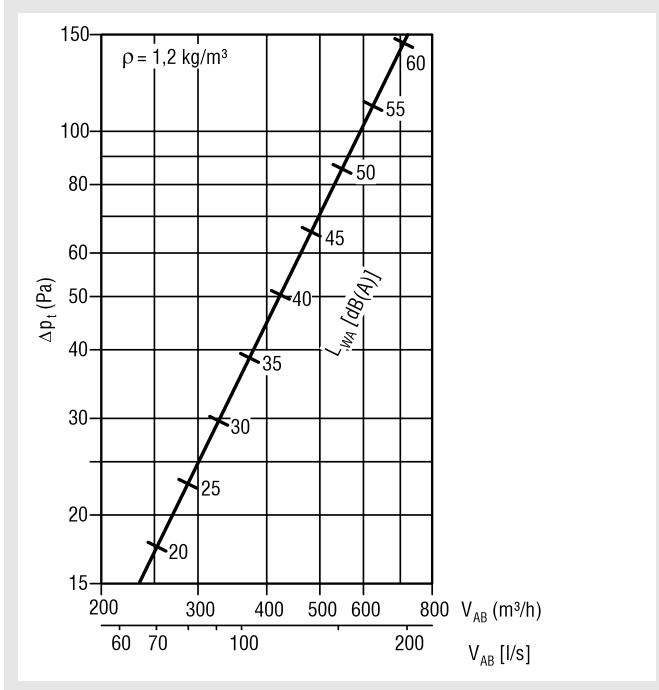
For number and position of sash locks, see SM mounting.

Lint separator FLAQ

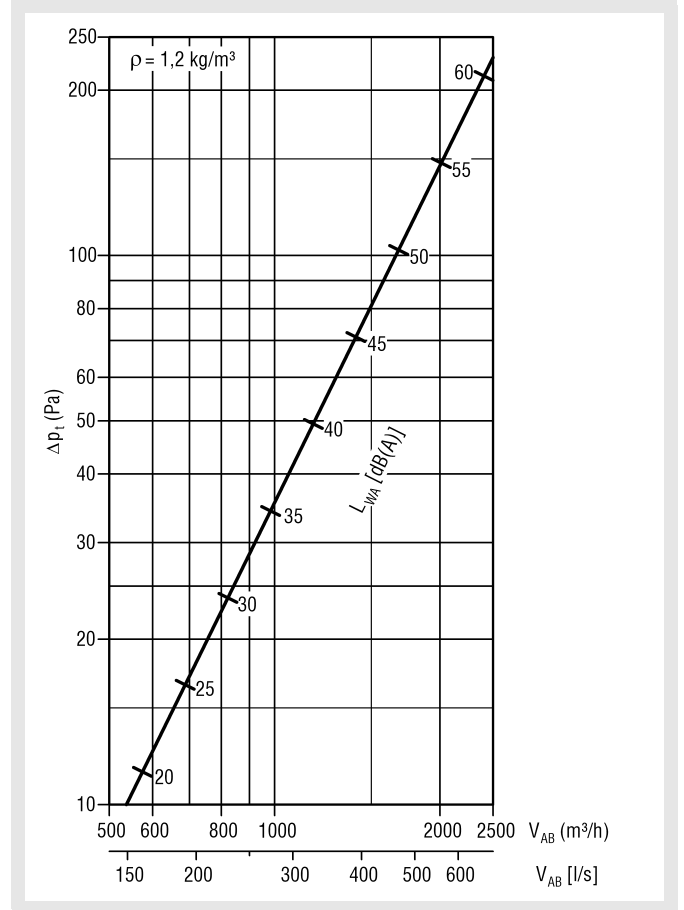
Technical data

Pressure loss and noise level

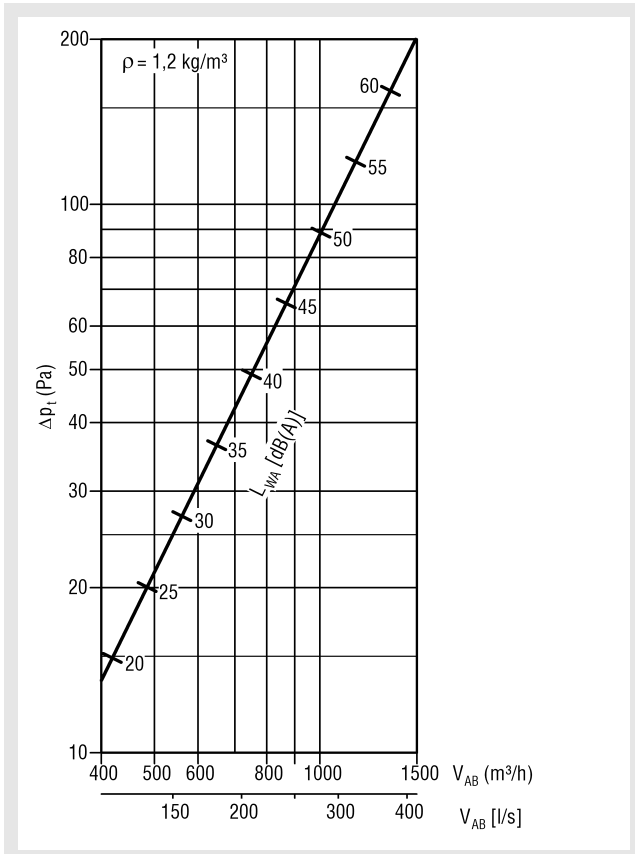
FLAQ-...-310-... with SK-Q-19-A-...



FLAQ-...-500-... with SK-Q-19-A-...

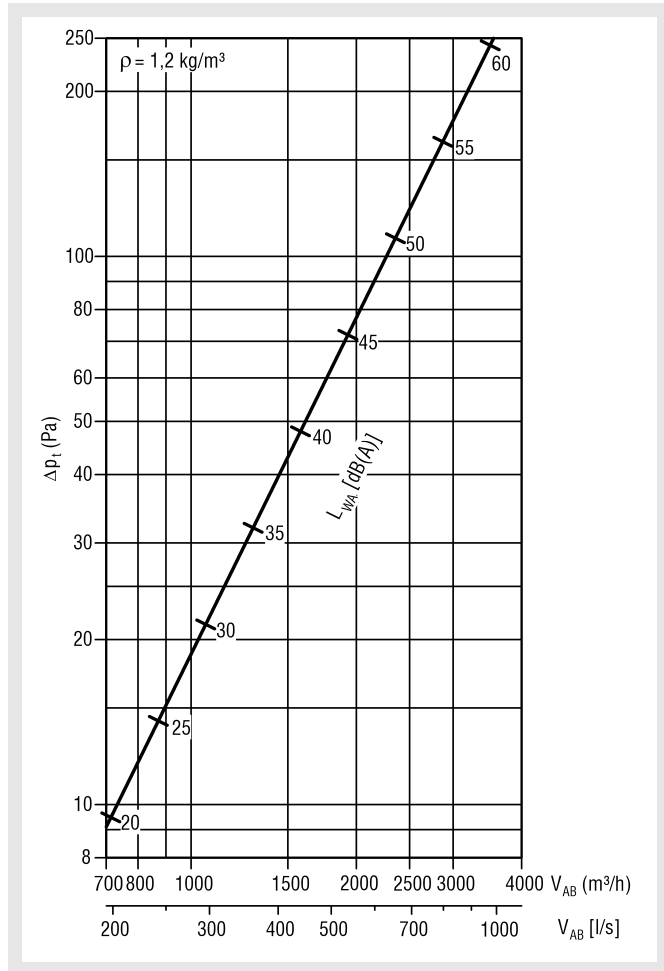


FLAQ-...-400-... with SK-Q-19-A-...

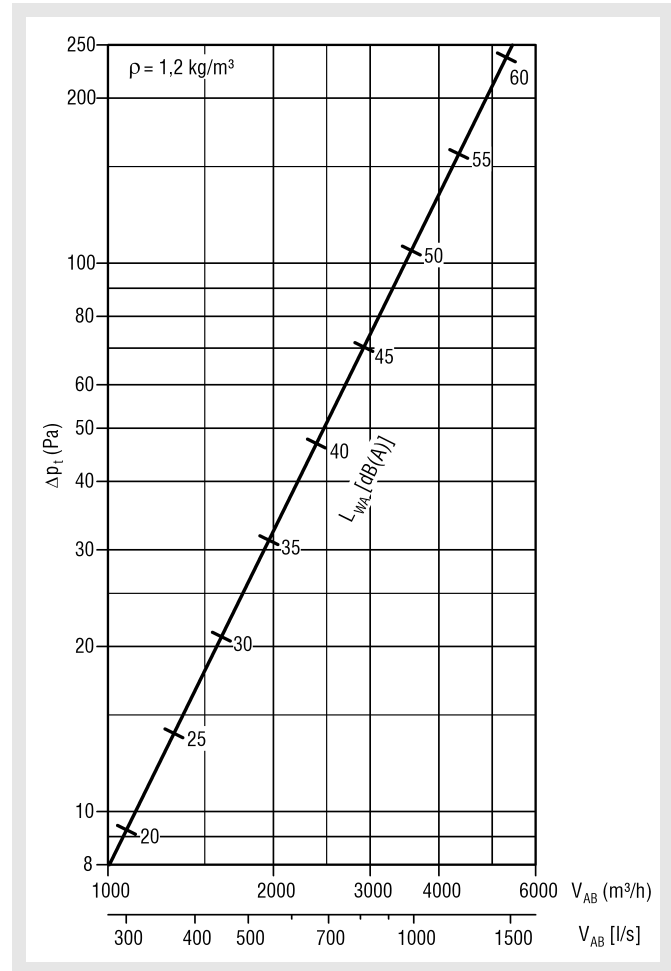


Lint separator FLAQ

FLAQ-...-600-... and FLAQ-...-625-... with SK-Q-19-A-...



FLAQ-...-800-... with SK-Q-19-A-...



Legend

- V_{AB} (m^3/h) = Return air volume
- V_{AB} [l/s] = Return air volume
- Δp_t (Pa) = Pressure loss
- ρ (kg/m^3) = Density
- L_{WA} [dB(A)] = A-weighted sound power level
- NW (mm) = Nominal width
- approx. (-) = approximately

Lint separator FLAQ

Order code FLAQ

01	02	03	04	05	06	07
Type	Model	Nominal size	Air throw	Frame colour	Mounting	Installation frame
Example						
FLAQ	-PS	-500	-A	-9010	-SM	-ER0

Sample

FLAQ-PS-500-A-9010-SM-ER0

Lint separator type FLAQ | perforated sheet steel | NW 500 | return air | frame painted to RAL 9010 (white) | screw mounting | without mounting frame

Order details

01 - Type

FLAQ = Square lint separator

02 – Model

PS = Perforated sheet steel with back-fitted wire fabric made of stainless steel 0.8 mm x 0.5 mm (standard)

V2 = Stainless steel (V2A), perforated, with back-fitted wire fabric made of stainless steel 0.8 mm x 0.5 mm

03 – Nominal size

310 = NW310

400 = NW400

500 = NW500

600 = NW600

625 = NW625

800 = NW800

04 - Air throw

A = Return air

05 - Frame colour

9010 = RAL colour white (standard for -PS model)

SAND = Painted sand silver (standard for -V2 model)

xxxx = RAL colour of your choice

06 - Mounting

SM = Screw mounting (standard)

VM = Concealed mounting (only possible in connection with an installation frame or a plenum box)

07 - Mounting frame

ER0 = Without mounting frame (standard)

ER1 = With installation frame (not available in connection with SK-Q-...)

ER2 = With installation frame with wall anchors (not available in connection with plenum box SK-Q-...)

Lint separator FLAQ

Order code SK

01	02	03	04	05	06	07	08
Plenum box	Model	Air diffuser	Type of air	Nominal size	Fastening	Material	Damper
Example							
SK	-Q	-19	-A	-500	-SM	-SB	-DK1

09	10	11	12	13	14	15
Rubber lip seal	Volumetric flow meter	ROB model	Insulation	Height of plenum box	Connecting piece diameter	Spigot position
-GD1	-VME1	-ROB0	-I0	-KHS	-SDS	-S1

Sample

SK-Q-19-A-500-SM-SB-DK1-GD1-VME1-ROB0-I0-KHS-SDS-S1

Plenum box, square design I for square air diffusers I air diffuser FLAQ I return air I NW500 I with screw mounting I sheet steel painted to RAL 9010 (white) I with damper I with rubber lip seal I with volumetric flow meter I without ROB model I without box insulation I standard height of plenum box I standard spigot diameter I 1 lateral spigot

Order details

01 - Plenum box

SK = Plenum box, square design

02 – Model

Q = for square air diffusers

03 - Air diffuser (must be ordered separately)

19 = suitable for FLAQ-...

04 - Type of air

A = Return air

05 – Nominal size

310 = NW310
 400 = NW400
 500 = NW500
 600 = NW600
 625 = NW625
 800 = NW800

06 - Fastening

SM = Screw mounting (standard)
 VM = Concealed mounting

07 - Material

SB = Sheet steel painted inside and outside to RAL 9010 (white) (standard)
 V2 = Stainless steel (V2A)

08 - Damper

DK0 = Without damper (standard)
 DK1 = With damper

09 - Rubber lip seal

GD0 = Without rubber lip seal (standard)
 GD1 = With rubber lip seal

10 – Volumetric flow meter

VME0 = Without volumetric flow meter (standard)
 VME1 = With volumetric flow meter

11 – ROB model

ROB0 = Without ROB version (standard)
 ROB1 = With ROB model

12 - Insulation

I0 = Without insulation (standard)
 Ii = With box insulation inside
 Ia = With box insulation outside

13 – Height of plenum box

KHS = Height of plenum box standard
 xxx = Height of plenum box in mm (minimum height with spigot position -S1 / -S2 / -S3 / -S5 = spigot diameter $\varnothing D + 102$ mm, but at least 200 mm)

14 – Spigot diameter

SDS = Standard spigot diameter
 xxx = Spigot diameter in mm

15 – Spigot position

S0 = Spigot from above
 S1 = 1 lateral spigot on the box (standard)
 S2 = 2 spigots offset by 90°
 S3 = 2 spigots offset by 180°
 S5 = 2 spigots arranged next to each other

Lint separator FLAQ

Specification texts

Lint separator for filtering textile fibre charged return air from clean rooms, consisting of a square frame and a fitted, replaceable lint separator insert made of sheet steel painted to RAL 9010 (white) (-PS-9010), sheet steel painted to RAL colour which can be freely selected (-PS-xxxx) or stainless steel 1.4301 (V2A) sand silver painted (-V2-SAND), with back-fitted wire fabric made of stainless steel 1.4301 (V2A), mesh width 0.8 mm x 0.5 mm.

For cleaning and disinfection purposes, easy to disassemble by turning the sash lock.

Product: SCHAKO **type FLAQ-...**

Fastening:

- With screw mounting (-SM, standard)
- with concealed mounting (-VM)
(only possible in connection with an installation frame or a plenum box)

Accessories:

- Plenum box (SK-Q-19-...-A-...), for square air diffusers.
 - Housing with round connection spigot and fixing lugs consisting of:
 - Sheet steel (-SB), painted inside and outside to RAL 9010 (white)
 - Stainless steel V2A (-V2)
 - Model for return air (-A)
 - Fastening:
 - Screw mounting (-SM, standard)
 - Concealed mounting (-VM), additionally with pole brace made of aluminium and pole brace holder made of plastic.
 - Height of plenum box: standard (-KHS) or freely selectable (-xxx, in mm) (minimum height with spigot position -S1 / -S2 / -S3 / -S5 = spigot diameter $\varnothing D + 102$ mm, but at least 200 mm)
 - Spigot diameter: standard (-SDS) or freely selectable (-xxx, in mm).
 - Spigot position:
 - Spigot from above (-S0)
 - 1 lateral spigot (-S1) (standard)
 - 2 lateral spigots, offset by 90° (-S2)
 - 2 lateral spigots, offset by 180° (-S3)
 - 2 spigots arranged next to each other (-S5)
 - with damper (-DK1) in plenum box, adjustable, for simple air volume regulation. Consisting of electrolytically galvanised sheet steel. plastic damper fixing
 - with rubber lip seal (-GD1), at the connection spigot made of special rubber.
 - with volumetric flow meter (-VME1).
(not for use with a damper)
 - with ROB version (-ROB1), removable damper and volumetric flow meter.
 - with thermal insulation:
 - internal (-li), inside the plenum box
 - external (-la), at the outside of the plenum box
- Installation frame (-ER1 / -ER2), comprising electrolytically galvanised sheet steel (not available in connection with plenum box).
 - without wall anchor (-ER1), (standard)
 - with wall anchor (-ER2) (only at an extra charge)