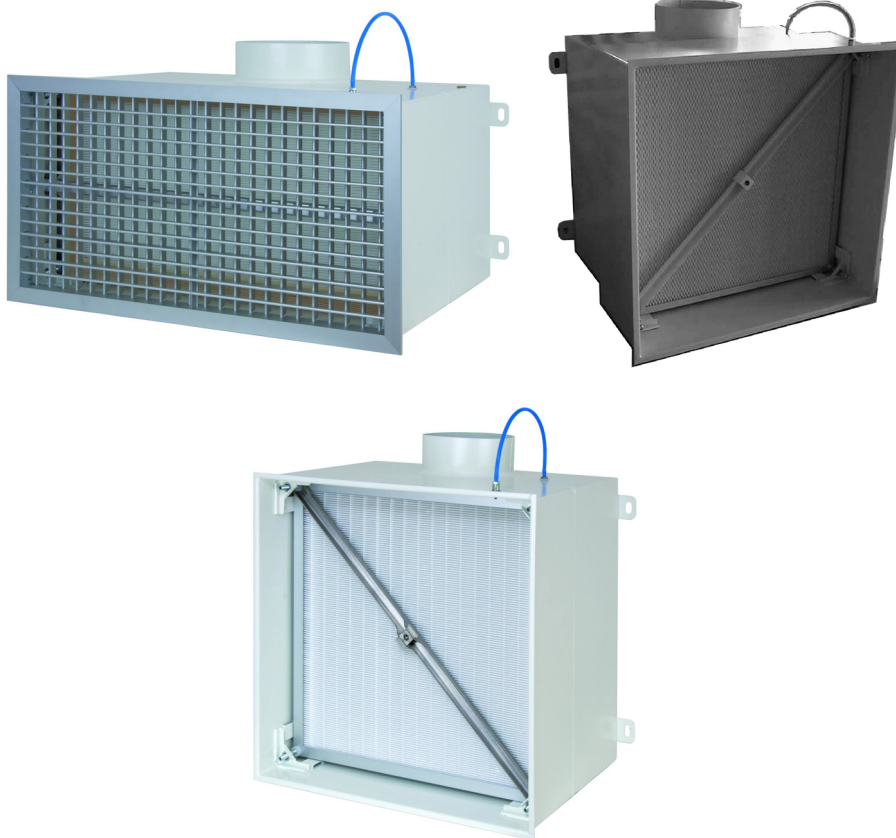


Filter-Einbauanweisung assembly instruction

FKU, FK-FF, FKU-W



Ferdinand Schad KG
Steigstraße 25-27
D-78600 Kolbingen
Telephone +49 (0) 74 63 - 980 - 0
Fax +49 (0) 74 63 - 980 - 200
info@schako.de
www.schako.de

Filter Assembly Instruction FKU, FK-FF, FKU-W

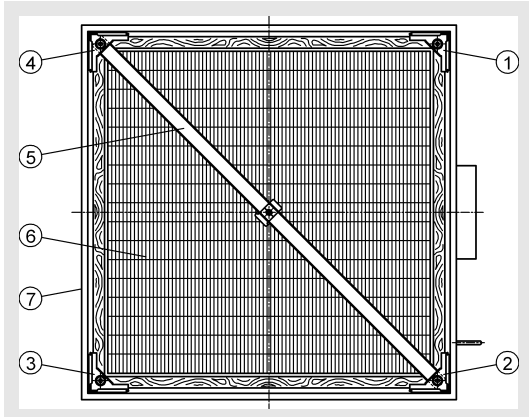
Contents

Description	3
FKU	3
FK-FF	4
FKU-W	5

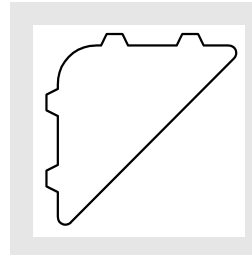
Filter Assembly Instruction FKU, FK-FF, FKU-W

Description

FKU NW 400-650



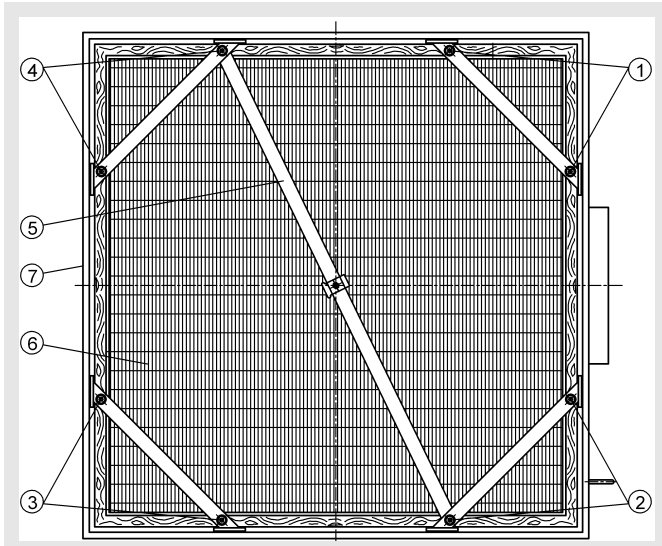
Shipping brace



Attention!

Before the particle filter unit can be inserted, the shipping brace clamped by means of the filter clamps must be removed!

NW 800



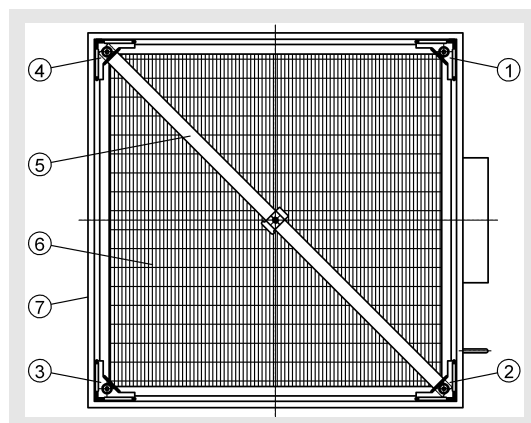
Loosen filter clamp (pos. 4) and remove it along with shipping brace. Press the particle filter unit (pos. 6) with the sealing rubber pointing upwards into the filter housing (pos. 7) Take care that the filter material is not destroyed.

The filter unit can be easily locked using two diagonal filter clamps (pos. 1 and 3). Next, the VM pole brace (pos. 5) is inserted and fastened using the other two filter clamps (pos. 2 and 4) Care must be taken that the filter clamps are at first tightened only slightly cross-wise (e.g. in the sequence filter clamps 1, 3, 2, 4). After tightening the filter clamps slightly, they can be tightened properly, again cross-wise and evenly until the filter unit has a tight fit. Care must be taken that the filter clamps are tightened to 4 Nm maximum.

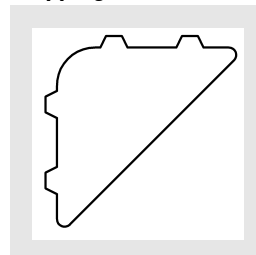
If required, a seal leakage test can be carried out before mounting the air diffusers.

Filter Assembly Instruction FKU, FK-FF, FKU-W

FK-FF



Shipping brace



Attention!

Before the particle filter unit can be inserted, the shipping brace clamped by means of the filter clamps must be removed!

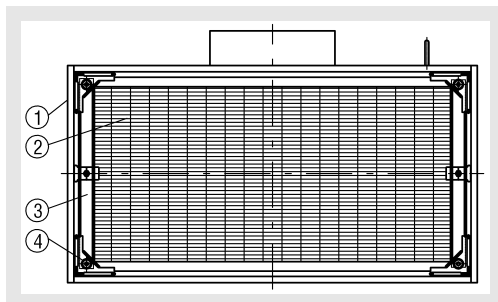
Loosen filter clamp (pos. 4) and remove it along with shipping brace. Press the particle filter unit (pos. 6) with the fluid seal pointing upwards into the filter housing (pos. 7). Take care that the filter material is not irreparably damaged.

The filter unit can be easily locked using two diagonal filter clamps (pos. 1 and 3). Next, the VM pole brace (pos. 5) is inserted and fastened using the other two filter clamps (pos. 2 and 4). Care must be taken that the filter clamps are at first tightened only slightly cross-wise (e.g. in the sequence filter clamps 1, 3, 2, 4). After tightening the filter clamps slightly, they can be tightened properly, again cross-wise and evenly until the filter unit has a tight fit. Care must be taken that the filter clamps are tightened to 2 Nm maximum.

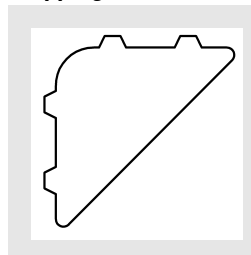
A buffer prevents the immersing sword from severing the fluid.

Filter Assembly Instruction FKU, FK-FF, FKU-W

FKU-W



Shipping brace



Attention!

Before the particle filter unit can be inserted, the shipping brace clamped by means of the filter clamps must be removed!

Loosen filter clamp (pos. 4) and remove it along with shipping brace. Press the particle filter unit (pos. 2) with the sealing rubber pointing in the direction of the rear wall into the filter housing (pos. 1). Take care that the filter material is not irreparably damaged. The VM pole braces (pos. 3) are placed on the filter housing and fastened using the filter corner clamps (pos. 4).

The filter corner clamps are tightened firmly until the filter cell has a tight fit. Care must be taken that the filter corner clamps are tightened cross-wise to 4 Nm maximum. If required, a seal leakage test can be carried out before mounting the air diffusers.