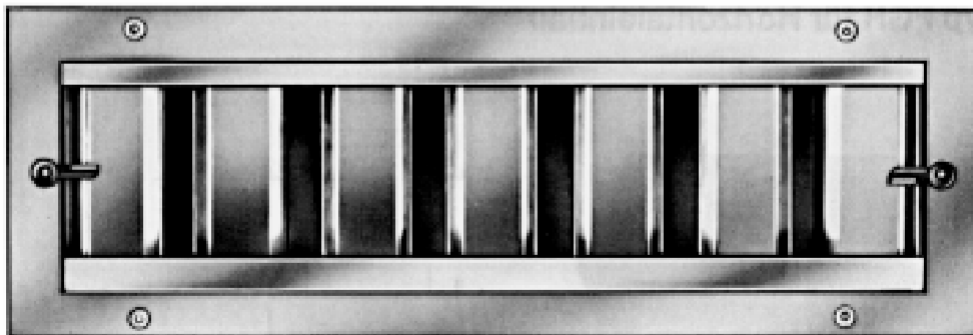
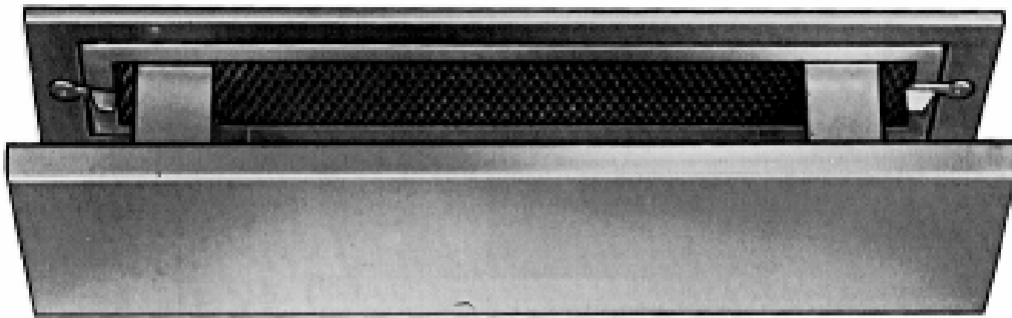




Grease trap grille FG



Ferdinand Schad KG
Steigstraße 25-27
D-78600 Kolbingen
Telephone +49 (0) 74 63 - 980 - 0
Fax +49 (0) 74 63 - 980 - 200
info@schako.de
schako.com

Grease trap grille FG

Contents

Description	3
Construction	4
Model	4
Grille insert	4
Fastening	4
Accessories	4
Models and dimensions	5
Dimensions	5
Dimensions of accessories	7
Fastening methods	9
Technical data	10
Pressure loss and noise level	10
Legend	11
Order code FG	12
Order code AK	13
Specification texts	14

Grease trap grille FG

Description

Grease trap grille made of natural colour anodised aluminium or sheet steel painted to RAL 9010 (white) for wall or ceiling installation with inserted, replaceable grease trap grille insert in special design. The FG-...-L model includes grease trap blades and the FG-...-M model has a grease collection mat.

The grease trap grille inserts made of aluminium can be easily taken out for cleaning by turning the sash locks.

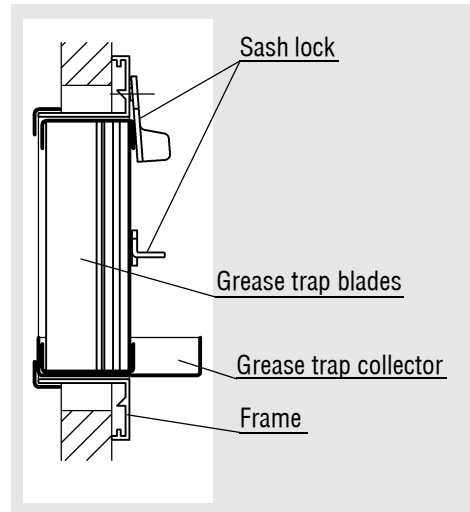
Cleaning

The grease trap collector on the grease trap grille type FG-D-... is unscrewed from the frame by loosening the knurled screw. The grease trap insert can then be taken out of the frame by turning the sash locks.

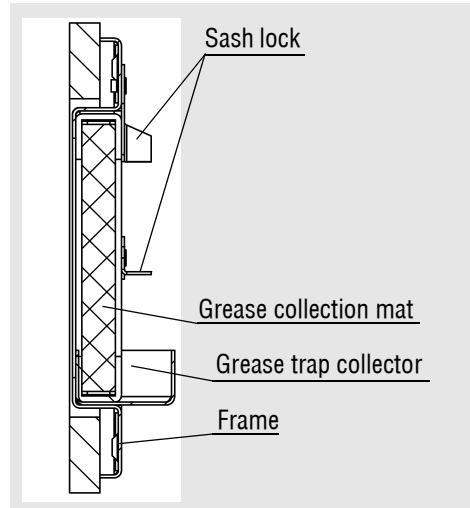
With the grease trap grille type FG-W-..., the grease trap collector can be taken out of the frame together with the grease trap insert by turning the sash locks.

The grease trap filter can be cleaned simply in hot water solution and used again.

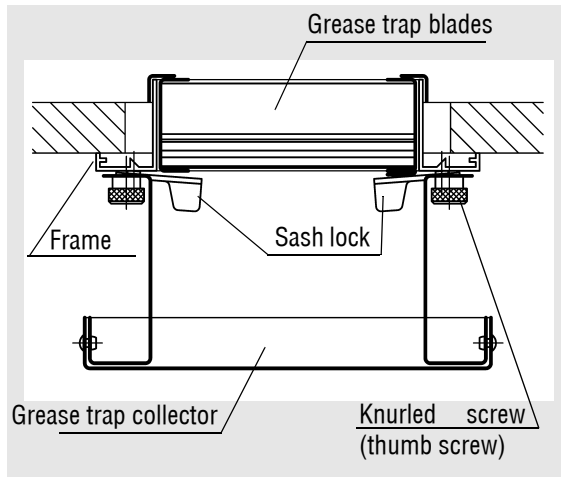
FG-W-L-...



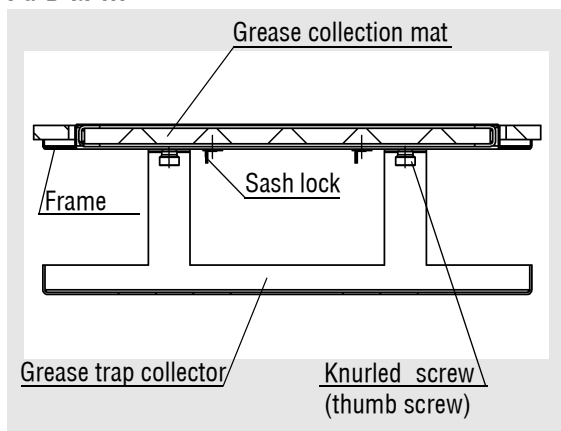
FG-W-M-...



FG-D-L-...



FG-D-M-...



Grease trap grille FG

Construction

Frame

- Natural colour anodised aluminium E6/EV1 (only for -L) (-AL-ELOX)
- Painted sheet steel (only for -M)
 - to the RAL colour 9010 (white) (-SB-9010, standard)
 - RAL colour can be freely selected (-SB-xxxx)

Grease trap insert (only for -L)

- Natural colour anodised aluminium E6/EV1 (only for -L) (-AL-ELOX)

Grease collection mat (only for -M)

- Woven aluminium (15 mm)

Grease trap collector

- Natural colour anodised aluminium E6/EV1 (only for -L) (-AL-ELOX)
- Painted sheet steel (only for -M)
 - to the RAL colour 9010 (white) (-SB-9010, standard)
 - RAL colour can be freely selected (-SB-xxxx)

model

- FG-D - for ceiling installation
- FG-W - for wall mounting

Grille insert

- FG-...-L - with grease trap blades
- FG-...-M - with grease collection mat

Fastening

Screw mounting (-SM)

- Standard, screws must be provided on site

Concealed mounting (-VM)

- not possible!

Accessories

Plenum box (-AK-...)

- Rectangular design.
- Fastening:
 - Screw mounting (-SM, standard)
- Housing with round connection spigot and fixing lugs consisting of:
 - Sheet steel (-SB, standard), painted inside and outside to RAL 9010 (white)
- Height of plenum box:
 - Standard (-KHS)
 - Can be freely selected (-xxx in mm) (minimum height with spigot position -S1 / -S4 = spigot diameter + 87 mm)
- Width of plenum box:
 - Standard (-KBS)
 - Can be freely selected (-xxx in mm) (minimum width with spigot position -S0 / -S4 = spigot diameter + 30 mm)
- Spigot diameter:
 - Standard (-SDS)
 - Can be freely selected (-xxx, in mm)
- Spigot position:
 - 1 spigot from above (-S0)
 - 1 lateral spigot on the box (-S1, standard)
 - 1 spigot front side (-S4)

Damper (-DK1), for AK-...

- in plenum box
- Damper made of electrolytically galvanised sheet steel
- Damper fastening made of plastic

Rubber lip seal (-GD1), for AK-...

- Special rubber, on plenum box connection spigot

Thermal insulation (-li / -la), for AK-...

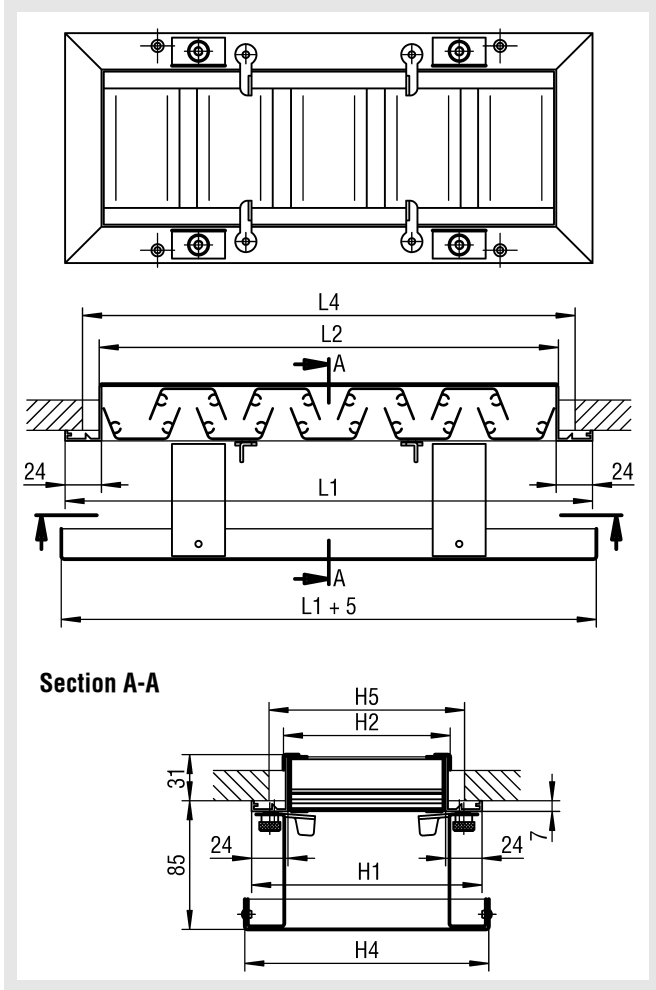
- internal (-li), inside the plenum box
- external (-la), on the outside of the plenum box (only available with already bent fixing lugs)

Installation frame (-ER1 / -ER2)

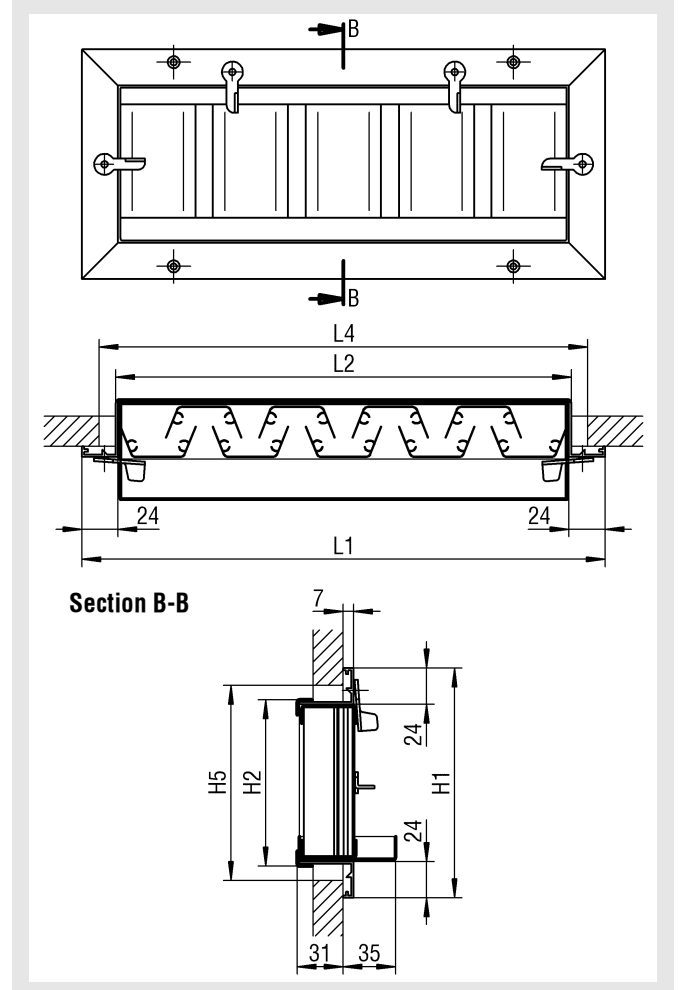
- without wall anchor (-ER1) (standard)
- with wall anchor (-ER2) (only at an extra charge)
- consisting of electrolytically galvanised sheet steel
- not possible in connection with a plenum box

Grease trap grille FG Models and dimensions Dimensions

FG-D-L



FG-W-L



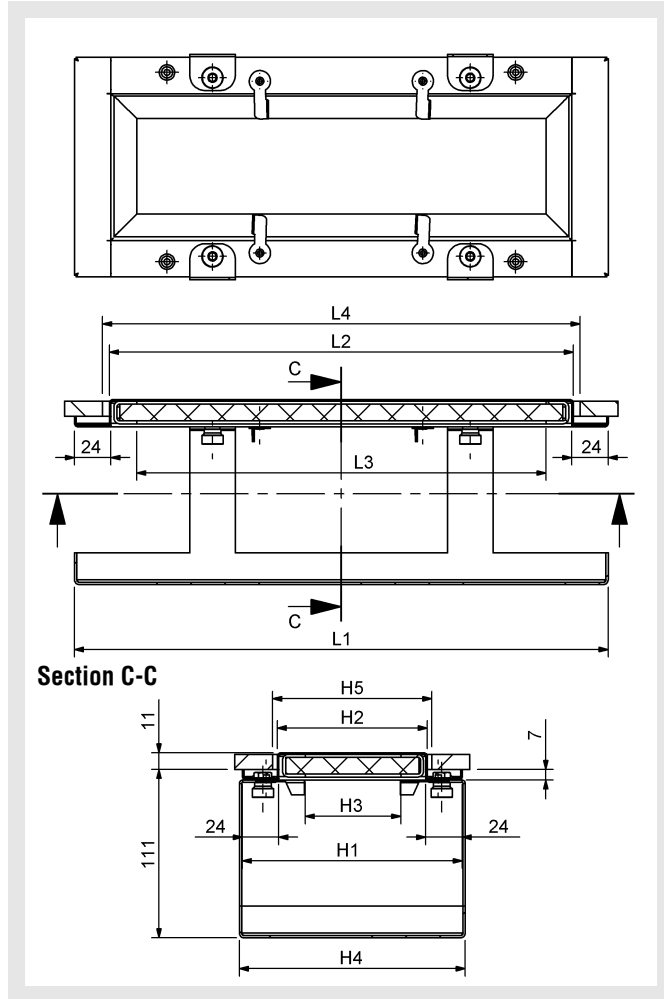
Available sizes FG-D-L / FG-W-L

L	L1	L2	L3	L4	H	H1	H2	H4	H5
00315	348	304	353	325	105	152	110	157	125
00515	548	504	553	525	205	252	210	257	225
00815	848	804	853	825	305	352	310	357	325
01015	1048	1004	1053	1025					

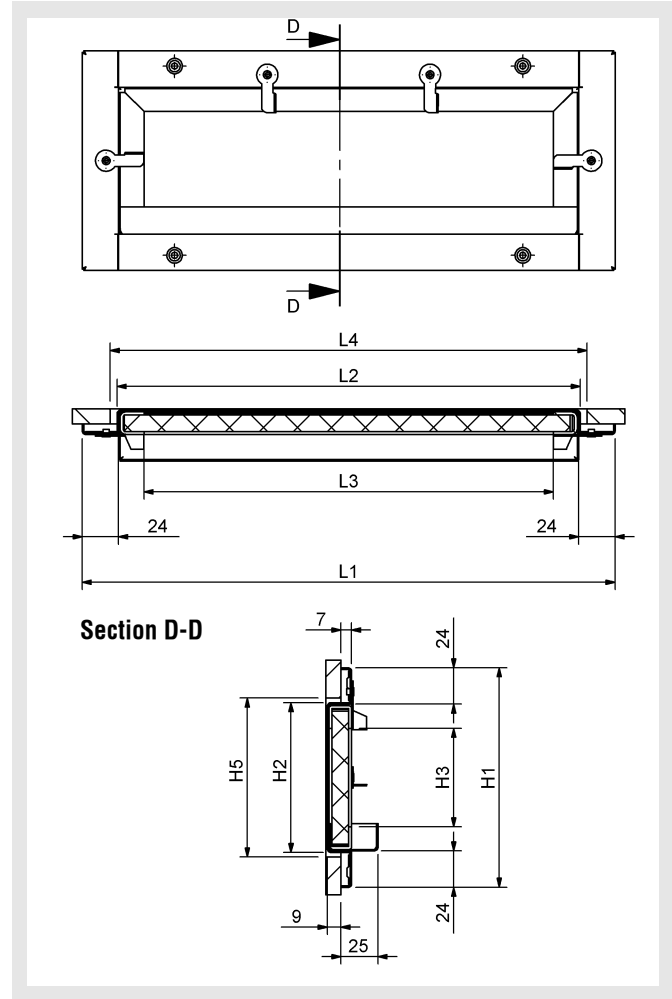
All combined lengths and heights available!

Grease trap grille FG

FG-D-M



FG-W-M



Available sizes FG-D-M / FG-W-M

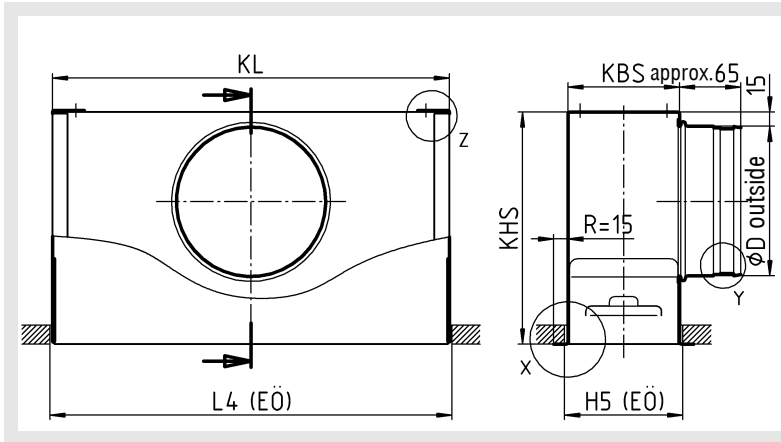
L	L1	L2	L3	L4	H	H1	H2	H3	H4	H5
00315	352	306	270	315	105	145	99	63	149	105
00415	452	406	370	415	205	245	199	163	249	205
00515	552	506	470	515	305	345	299	263	349	305
00615	652	606	570	615						
00815	852	806	770	815						
01015	1052	1006	970	1015						

All combined lengths and heights available!
Special sizes not possible.

Grease trap grille FG

Dimensions of accessories

Plenum box (-AK) with lateral spigot (-S1)
 FG-...-L-...-AK-49-...-S1



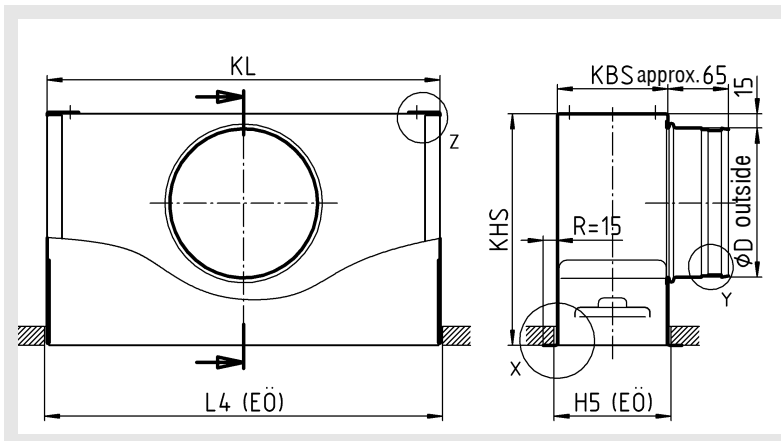
Available sizes

L	H	L4	H5	KL	KBS	KH	ød
00315	105	325	125	320	118	245	158
00515		525		520			
00815		825		820		285	
01015		1025		1020			

L	H	L4	H5	KL	KBS	KH	ød
00315	205	325	225	320	218	285	198
00515		525		520			
00815		825		820		335	
01015		1025		1020			

L	H	L4	H5	KL	KBS	KH	ød
00315	305	325	325	320	318	335	248
00515		525		520			
00815		825		820		400	
01015		1025		1020			

FG-...-M-...-AK-47-...-S1



Available sizes

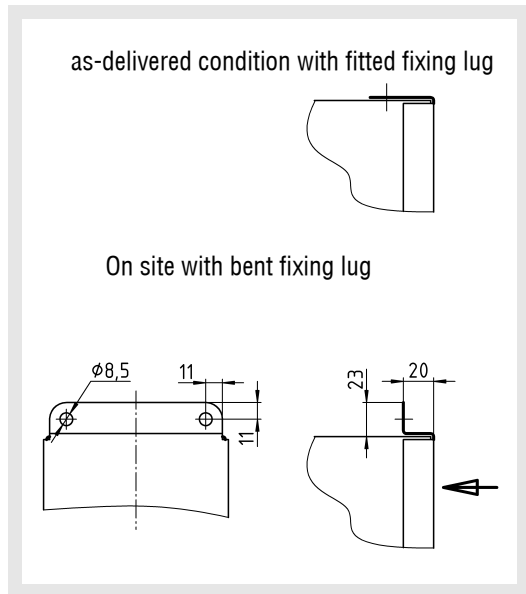
L	H	L4	H5	KL	KBS	KH	ød
00315	105	315	105	310	103	245	158
00415		415		410			
00515		515		510			
00615		615		610		285	
00815		815		810			
01015		1015		1010			

L	H	L4	H5	KL	KBS	KH	ød
00315	205	315	205	310	203	285	198
00415		415		410			
00515		515		510			
00615		615		610		335	
00815		815		810			
01015		1015		1010			

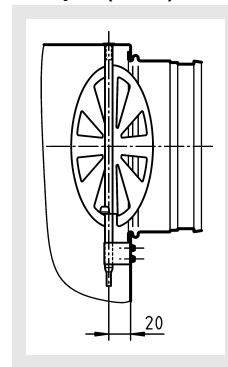
L	H	L4	H5	KL	KBS	KH	ød
00315	305	315	305	310	303	335	248
00415		415		410			
00515		515		510			
00615		615		610		400	
00815		815		810			
01015		1015		1010			

Grease trap grille FG

Detail Z

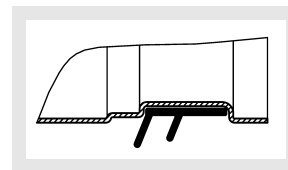


Damper (-DK1), for AK-...

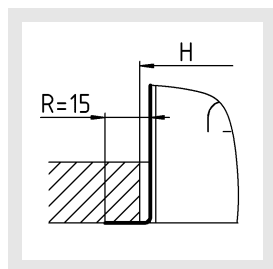


Rubber lip seal (-GD1), for AK-...

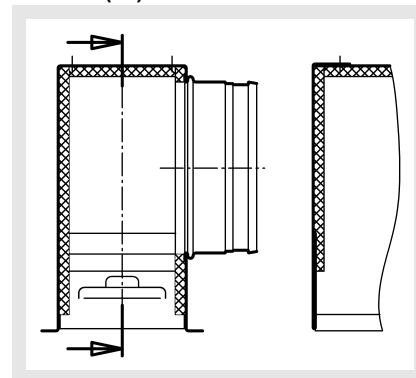
Detail Y



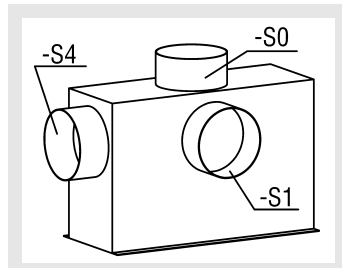
Detail X



Thermal insulation (-li / -la), for AK-... internal (-li)



Spigot position



- Lateral spigot (-S1, standard)
- Spigot from above (-S0)
- Spigot front side (-S4)

Dimensions for spigot from above (-S0) and spigot front side (-S4) upon request.

Minimum height KHS with spigot position -S1 / -S4:
spigot diameter + 87 mm

Minimum width KBS with spigot position -S0 / -S4:
spigot diameter + 30 mm

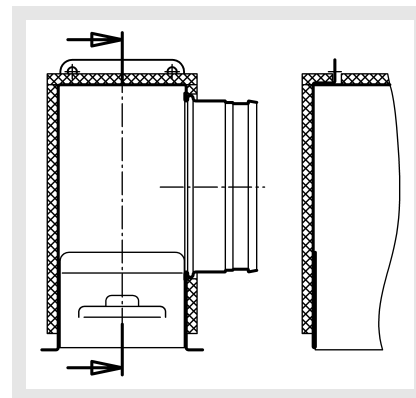
See page 8 for detail Y.

See page 9 for dimensions of SM mounting.

EÖ = Installation opening

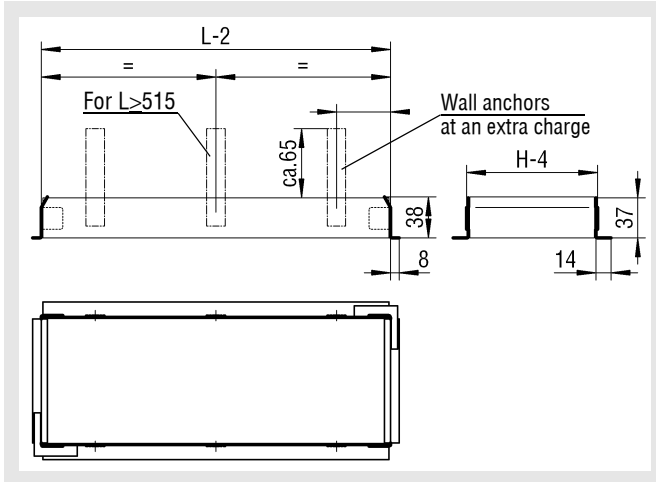
external (-la)

In case of an external insulation, the fixing lugs are already bent in the as-delivered condition.



Grease trap grille FG

Mounting frame (-ER1/-ER2)



Mounting frame design:

- without wall anchor (-ER1)
- with wall anchor (-ER2) (only at an extra charge)

Number of wall anchors

Height: no wall anchors

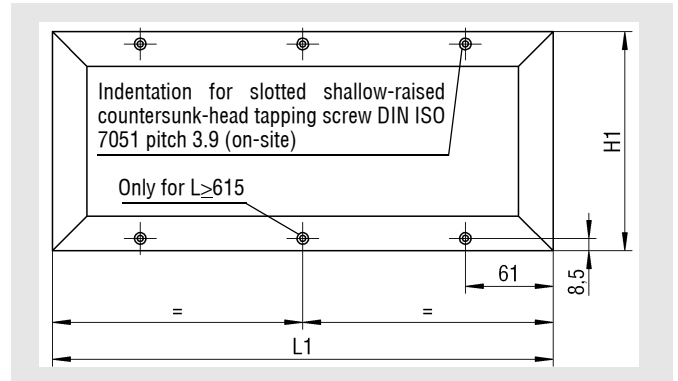
Length: $L < 515$ = 2 wall anchors per side

$L \geq 515$ = 3 wall anchors per side

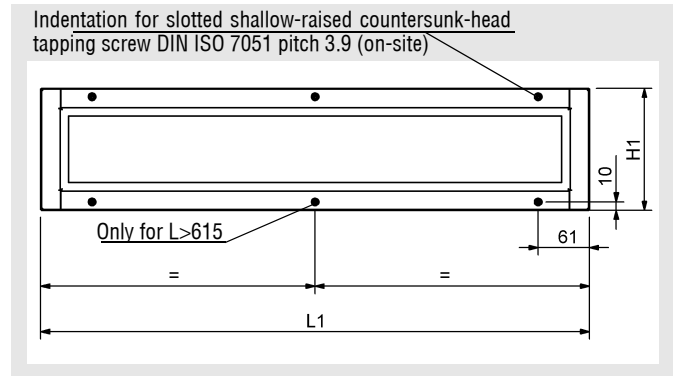
Fastening methods

Screw mounting (-SM)

FG-...-L



FG-...-M

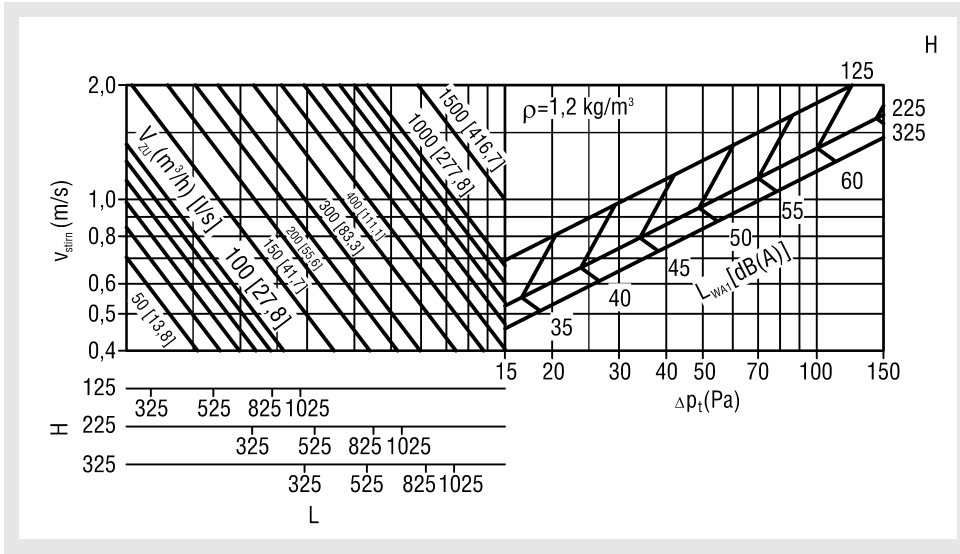


Grease trap grille FG

Technical data

Pressure loss and noise level

FG-...-L



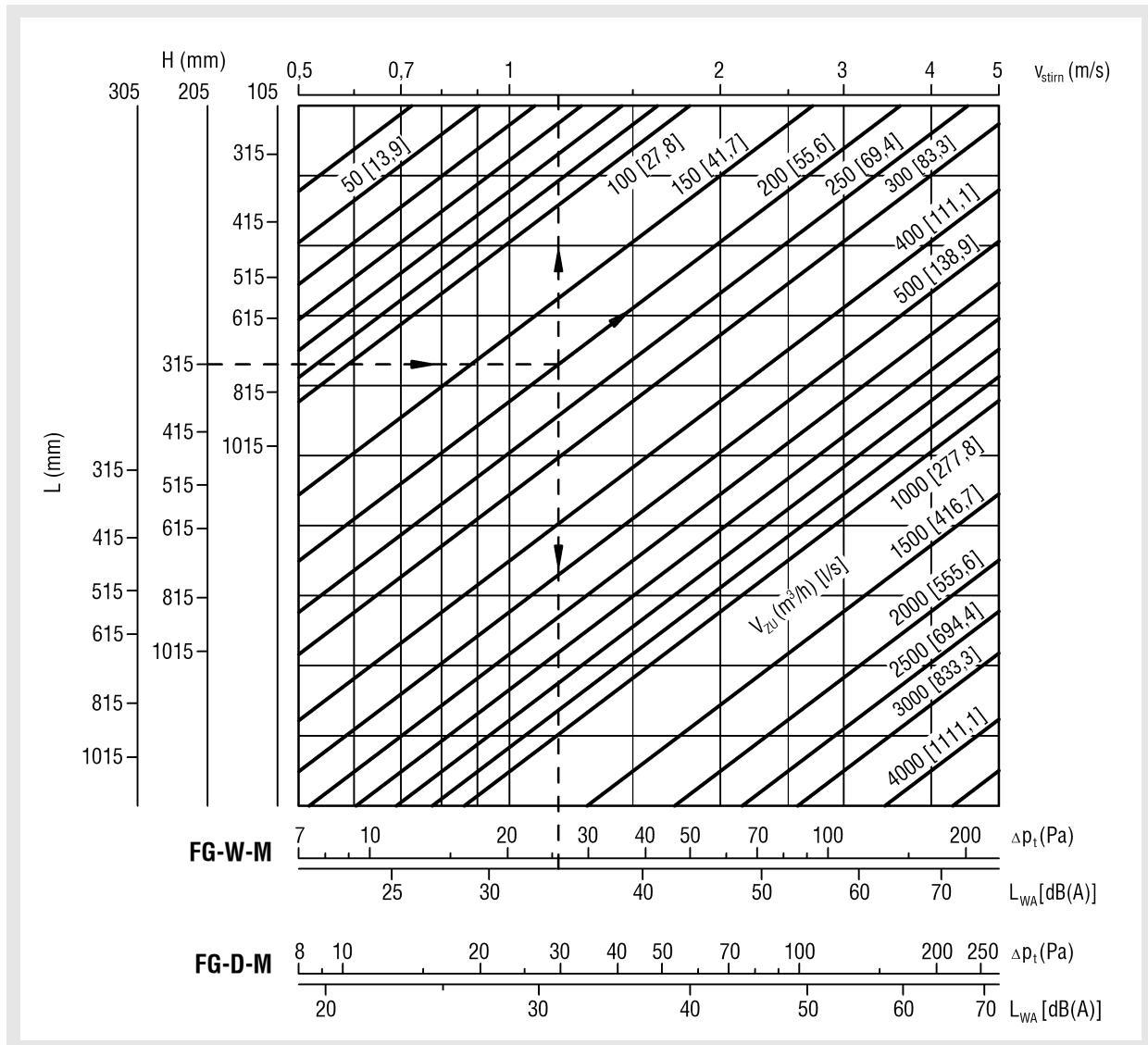
Correction factor KF [dB(A)]

		L			
		00315	00515	00815	01015
≡	105	-2	0	+2	+3
	205	-2	0	+2	+3
	305	-2	0	+2	+3
KF					

$$L_{WA} = L_{WA1} + KF$$

Grease trap grille FG

FG-...-M



The air velocities v_{stirn} (m/s) are based on L3 x H3. To achieve optimal grease collection, air velocity should be between 1 - 2 m/s.

Legend

- V_{ZU} (m^3/h) = Supply air volume
- V_{ZU} [l/s] = Supply air volume
- v_{stirn} (m/s) = Intake velocity, blower stream velocity, outflow velocity, relative to A_{stirn} ($A_{stirn} = L3 \times H3$, for FG-...-M)
- ρ (kg/m^3) = Density
- Δp_t (Pa) = Pressure loss
- L_{WA} [dB(A)] = A-weighted sound power level [$L_{WA} = L_{WA1} + KF$]
- L_{WA1} [dB(A)] = A-weighted sound power level, relative to L=515
- KF (-) = Correction factor
- H (mm) = Height
- L (mm) = Length

Grease trap grille FG

Order code FG

01	02	03	04	05	06	07	08
Type	model	Grille insert	Length	Height	Material	Paint	Installation frame
Example							
FG	-W	-M	-00315	-205	-SB	-9010	-ER1

Sample

FG-W-M-00315-205-SB-9010-ER1

Grease trap grille type FG I for wall mounting I grease collection mat I grille length 315 mm I grille height 205 mm I painted sheet steel I RAL colour 9010 I with installation frame

Order details

01 - Type

FG = grease trap grille FG

02 - Model

D = for ceiling installation

W = for wall mounting

03 - Grille insert

L = with grease trap blades

M = with grease collection mat

04 - Length

00315 = Grille length 315 mm

00415 = Grille length 415 mm (not possible for FG-...-L)

00515 = Grille length 515 mm

00615 = Grille length 615 mm (not possible for FG-...-L)

00815 = Grille length 815 mm

01015 = Grille length 1015 mm

05 - Height

105 = Grille height 105 mm

205 = Grille height 205 mm

305 = Grille height 305 mm

06 - Material

SB = Painted sheet steel (only for FG-...-M)

AL = Aluminium (only for FG-...-L)

07 - Frame colour

ELOX = natural colour anodised (E6/EV1), (standard for -AL)

9010 = RAL colour 9010 (standard for -SB)

xxxx = RAL colour can be freely selected (always with 4 digits)

08 - Mounting frame

ER0 = Without installation frame (standard)

ER1 = With installation frame (not available in connection with plenum box AK)

ER2 = With installation frame with wall anchors (not available in connection with plenum box AK)

Grease trap grille FG

Order code AK

01	02	03	04	05	06	07
Type	Air diffuser	Length	Height	Single / band design	Fastening	Material
Example						
AK	-49	-00315	-205	-N	-SM	-SV

08	09	10	11	12	13	14
Damper	Rubber lip seal	Insulation	Height of plenum box	Width of box	Spigot diameter	Spigot position
-DK0	-GD1	-I0	-KHS	-KBS	-SDS	-S1

Sample

AK-49-00315-205-N-SM-SV-DK0-GD1-I0-KHS-KBS-SDS-S1

Plenum box, rectangular design I suitable for grease trap grille FG-...-L I length 315 mm I height 205 mm I single length I with screw mounting I galvanised sheet steel I without damper I with rubber lip seal I without plenum box insulation I height of plenum box standard I width of plenum box standard I spigot diameter standard I lateral spigot

Order details

01 - Plenum box

AK = Plenum box, rectangular design

02 - Air diffuser (must be ordered separately)

47 = suitable for grease trap grille FG-...-M

49 = suitable for grease trap grille FG-...-L

03 - Length

00315 = 315 mm

00415 = 415 mm (not possible for FG-...-L)

00515 = 515 mm

00615 = 615 mm (not possible for FG-...-L)

00815 = 815 mm

01015 = 1015 mm

04 - Height

105 = 105 mm

205 = 205 mm

305 = 305 mm

05 - Single / band design

N = Single length (standard)

06 - Fastening

SM = Screw mounting (standard, screws must be provided on site)

07 - Material

SV = Galvanised sheet steel (standard)

08 - Damper

DK0 = Without damper (standard)

DK1 = with damper

09 - Rubber lip seal

GD0 = Without rubber lip seal (standard)

GD1 = With rubber lip seal

10 - Insulation

I0 = Without insulation (standard)

Ii = With box insulation inside

Ia = With box insulation outside

11 - Height of plenum box

KHS = Height of plenum box standard

xxx = Height of plenum box in mm
(Minimum height with spigot position -S1 /-S4 = spigot diameter +87 mm)

12 - Width of box

KBS = Standard width of box

xxx = Width of box in mm
(Minimum height with spigot position -S0 /-S4 = spigot diameter +30 mm)

13 - Spigot diameter

SDS = Standard spigot diameter

xxx = Spigot diameter in mm

14 - Spigot position

S0 = Spigot from above

S1 = Lateral spigot on the box (standard)

S4 = Spigot front side

Grease trap grille FG

Specification texts

Grease trap grille for ceiling mounting, consisting of frame and grease trap collector made of natural colour anodized aluminium (-AL-ELOX), sheet steel painted to RAL 9010 (white, -SB-9010) or sheet steel painted to a freely selected RAL colour (-SB-xxxx). With inserted, replaceable grease trap blades made of aluminium (-L) or with inserted, replaceable grease collection mat made of woven aluminium (15 mm, -M).

Easy to disassemble for cleaning purposes by turning the sash locks.

Product: SCHAKO **type FG-D**

- for wall mounting

Product: SCHAKO **type FG-W**

Fastening:

- With screw mounting (-SM, standard)

Accessories:

- Plenum box (-AK-...-N-...), in rectangular design, for single length.
 - Housing with round connection spigot and fixing lugs consisting of:
 - Galvanised sheet steel (-SV, standard)
 - Fastening:
 - Screw mounting (-SM, standard)
 - Height of plenum box standard (-KHS) or freely selectable (-xxx, in mm) (minimum height with spigot position -S1 / -S4 = spigot diameter 87 mm)
 - Width of plenum box: standard (-KBS) or freely selectable (-xxx in mm) (minimum width with spigot position -S0 / -S4 = spigot diameter $\varnothing D + 30$ mm)
 - Spigot diameter: standard (-SDS) or freely selectable (-xxx, in mm)
 - Spigot position:
 - 1 spigot from above (-S0)
 - 1 lateral spigot on the box (-S1, standard)
 - 1 spigot front side (-S4)
 - with damper (-DK1) in plenum box, adjustable, for simple air volume regulation. Consisting of electrolytically galvanised sheet steel. plastic damper fixing
 - with rubber lip seal (-GD1), at the connection spigot made of special rubber.
 - with thermal insulation:
 - internal (-li), inside the plenum box
 - external (-la), at the outside of the plenum box
- Installation frame (-ER1 / -ER2), comprising electrolytically galvanised sheet steel (not available in connection with plenum box).
 - without wall anchor (-ER1), (standard)
 - with wall anchor (-ER2) (only at an extra charge)