



Damper DKAPPs



Ferdinand Schad KG
Steigstraße 25-27
D-78600 Kolbingen
Telephone +49 (0) 74 63 - 980 - 0
Fax +49 (0) 74 63 - 980 - 200
info@schako.de
www.schako.de

Damper DKAPPs

Contents

Description	3
Construction	3
Model	3
Accessories	3
Models and dimensions	3
Dimensions	3
Dimensions of accessories	4
Order code	5
Specification texts	6

Damper DKAPPs

Description

The **round, manually adjustable damper DKAPPs made of plastic PPs** is suitable for installation in **round supply and return air ducts for use with air contaminated with aggressive media**. It is used for regulating volumetric flows in ventilation and air-conditioning installations.

The manual adjustment allows the damper blade to be adjusted, without tools, between 0° and 90°. The damper DKAPPs can be used for airtight locking. The damper type DKAPPs can be used at temperatures between 0 °C and +55 °C.

Maximum duct pressure 1000 Pa.

For maintenance, service, retrofitting, etc., inspection openings in sufficient number and size must be provided on site.

Construction

Housing

- Plastic PPs

Damper axle

- Square shaft, AF 10
- Plastic PP

Locking device

- Stainless steel (V2A)

Damper blade

- Plastic PP

Damper leaf seal

- Silicone-free made of PUR (NW 125-400 sealing airtight to DIN EN 1751 Class 3)

Console

- Plastic PPs

The user must check whether the materials used are suitable for the particular application.

model

Round design, for duct connection, with silicone-free damper leaf seal made of PUR (NW 110 sealing airtight to DIN EN 1751, Class 2), (NW 125-400 sealing airtight to DIN EN 1751, Class 3), Housing tightness class C to DIN EN 1751

Accessories

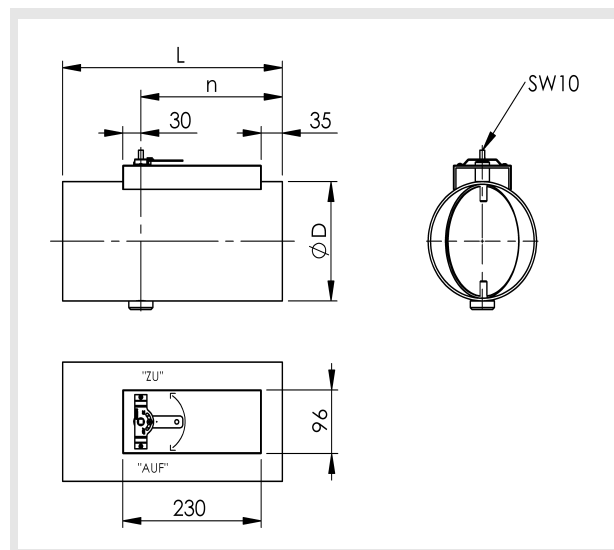
Flat flange (-FF3) (at an extra charge)

- on both sides, made of plastic PPs

Models and dimensions

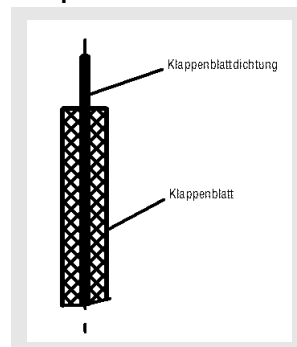
Dimensions

DKAPPs



Reinforcement from NW 200

Damper blade



Available sizes

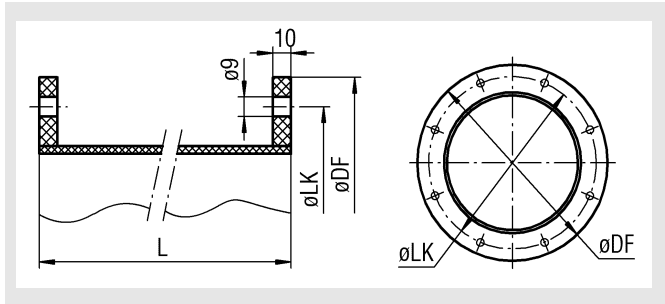
NW	Ød	L	n
110	110	365	235
125	125		
140	140		
160	160		
180	180		
200	200	465	335
225	225		
250	250		
280	280		
315	315		
355	355		
400	400		

NW 125-400 sealing airtight to DIN EN 1751 Class 3

Damper DKAPPs

Accessories - dimensions

Flat flange (-FF3, pair on both sides)



Available sizes flat flange (-FF3)

NW	$\varnothing d$	$\varnothing DF$	$\varnothing LK$	Number of holes
110	110	170	150	4
125	125	195	165	8
140	140	200	175	8
160	160	230	200	8
180	180	250	220	8
200	200	270	240	8
225	225	295	265	8
250	250	320	290	12
280	280	360	325	12
315	315	395	350	12
355	355	435	400	12
400	400	480	445	16

Damper DKAPPs

Order code

01	02	03	04
Type	Nominal width	Duct connection	Actuator
Example			
DKAPPs	-200	-KA0	-E000

Sample

DKAPPs-200-KA0-E000

Damper type DKAPPs | round design | airtight | made of plastic material PPs | in nominal width NW 200 mm | with locking device made of stainless steel V2A, 1.4301

Order details

01 - Type

DKAPPs = Damper DKA, round design, made of PPs, sealing airtight

02 - Nominal width

110 = NW 110 mm
 125 = NW 125 mm
 140 = NW 140 mm
 160 = NW 160 mm
 180 = NW 180 mm
 200 = NW 200 mm
 225 = NW 225 mm
 250 = NW 250 mm
 280 = NW 280 mm
 315 = NW 315 mm
 355 = NW 355 mm
 400 = NW 400 mm

03 - Duct connection

KA0 = Without rubber lip seal (standard)
 FF3 = With flat flange PPs, on both sides

04 - Actuator

E000 = without actuator, with loose locking device (standard)
 M001 = without actuator, with mounted locking device

Upon request, actuators are supplied loose as an accessory!

Damper DKAPPs

Specification texts

Round, manually adjustable damper type DKAPPs for installation in round supply air and return air ducts for regulating the volumetric flows in air-conditioning installations. Also suitable for use with air contaminated with aggressive media.

Housing made of plastic PPs. Damper axle made of plastic PP. Plastic damper leaf and silicone-free damper leaf seal made of PUR (NW 110 sealing airtight to DIN EN 1751 Class 2, NW 125-400 sealing airtight to DIN EN 1751 Class 3). Manual damper actuation. (Manual adjustment made of stainless steel)

Product: SCHAKO type **DKAPPs**

Accessories:

- Flat flange (-FF3), on both sides, made of plastic PPs.