



COMBIDSC
Combination slot diffuser
for supply air and return air

Contents

Function and use	2
Models.....	2
Mounting.....	3
Blade position for air jet	3
Processing.....	4
Accessories	4
Dimensions of frame profile.....	5
Dimensions of accessories.....	6
Band design	15
Fastening methods	18
Mounting with clamp strap (-KB)	19
Mounting with counter pole brace (-GT).....	19
Technical data	20
Legend	21
Slot diffuser order code.....	22
Plenum box order code	23
Order code corner angle.....	24
Specification text	25

FUNCTION AND USE

COMBIDSC is a combined slot diffuser for supply and return air in one housing.

The slot diffuser consists of supply air slots for introducing the supply air into the room and return air slots for extracting the return air. The introduction of the supply air is carried out by means of high induction via adjustable blades and is suitable for VAV systems with variable volumetric flows.

The basis of this slot diffuser is the SCHAKO slot diffuser type DSC. The diffuser is suitable for cooling mode up to Δ -10K.

The combination slot diffuser type COMBIDSC is suitable for use in rooms with a height between 2.6 and 4 m. The air deflection blades adjustable from below allow a versatile application.

The outflow direction can be adjusted from a vertical throw in heating mode to a horizontal throw in cooling mode. In cooling mode, only a one-way air throw pattern can be set. The maximum induction is achieved while the velocity and temperature difference of the supply air jet are effectively reduced.

Due to the central housing of the support profile blades, the free cross-section is always the same size. Pressure loss and sound power level remain therefore constant even when the blades are adjusted. A subsequent change of the air throw direction on site is possible at any time, even when the diffuser has already been fitted.

If the desired air throw is specified in the order, it will be set at the factory. Unless stated otherwise, the blade position S (one-way throw) will be set. The large free cross-section allows a high air throughput compared with other slot diffusers.

The return air model is fitted with a black perforated plate for easy cleaning from below through the slots instead of air deflection blades.

The connection to the ductwork is done via the plenum box. At an extra charge, a damper adjustable from below can be installed in the spigot for air volume regulation. An external insulation of the plenum box is also possible. Due to the stable air throw pattern, it can also be used in VAV systems from 100 to 40%.

Discreet and reliable in function

Combination slot diffuser for supply and return air, stable horizontal air pattern and good room flushing. With concealed screw mounting.

MODELS

COMBIDSC-2-...	2-slot (1 for supply air / 1 for return air)
COMBIDSC-4-...	4-slot (2 for supply air / 2 for return air)
COMBIDSC-...-ZA	Supply air (with blades) / return air (without blades, with perforated plate)
COMBIDSC-...-R0	With frame profile STANDARD (frame with R0 standard profile)
COMBIDSC-...-S0	With narrow frame profile (frame with S0 profile)
COMBIDSC-...-P0	With special frame profile (frame with P0 profile)
COMBIDSC-...-V	Blades with vertical throw
COMBIDSC-...-S	Blades with horizontal one-way throw (standard)
COMBIDSC-...-N	Single design (length max. 1500 mm)
COMBIDSC-...-B	Band design (available lengths according to SCHAKO standard for band design)
COMBIDSC-...-ASK	With plenum box (standard) (without dummy piece)
COMBIDSC-...-BS...	With dummy piece (only possible without plenum box)

Depending on use, the combination slot diffuser COMBIDSC is only available with plenum box or dummy piece.

PERFORMANCE DATA

COMBIDSC-2-ZA-...-ASK-26-2-...-S1/S2 (2-slot)

Plenum box with lateral spigot located on the opposite side (-S1)

Plenum box with lateral spigot (-S2)

Values for length L = 1000 mm

V		L _{WA} [dB(A)]			Δp [Pa]	
(m ³ /h)	[l/s]	Supply air	Return air	Sum	Supply air	Return air
77	21	25	<15	26	18	7
95	26	30	20	30	28	10
117	33	35	27	36	42	15
140	39	40	33	41	60	22
175	49	45	40	46	94	34

COMBIDSC-4-ZA-...-ASK-26-2-...-S1/S2 (4-slot)

Plenum box with lateral spigot located on the opposite side (-S1)

Plenum box with lateral spigot (-S2)

Values for length L = 1000 mm

V		L _{WA} [dB(A)]			Δp [Pa]	
(m ³ /h)	[l/s]	Supply air	Return air	Sum	Supply air	Return air
145	40	25	19	26	16	8
175	49	30	20	31	24	11
210	58	35	30	36	34	16
255	71	40	36	42	50	24
305	85	45	41	47	72	34

MOUNTING

Permanent connection (-FV, standard)

- Only possible with plenum box.
- Standard for the models COMBIDSC-R0 / COMBIDSC-S0 and COMBIDSC-P0.
- The slot diffuser is permanently connected to the plenum box.

Concealed mounting (-VM)

- Only possible with plenum box.
- Possible for the models COMBIDSC-R0 / COMBIDSC-P0 and COMBIDSC-S0-Z2 (with additional profile).
- Not possible for the models COMBIDSC-S0-Z0 / COMBIDSC-S0-Z1 /-Z3.
- The slot diffuser is screwed to the pole brace in the plenum box housing with concealed screws.

Clamp strap (-KB, standard)

- **Only possible for the model with dummy piece (-BS1) and without plenum box.**
- Screws and clamp straps are supplied loose.
- Possible for the models COMBIDSC-R0 / COMBIDSC-P0 and COMBIDSC-S0-Z2 (with additional profile).
- Not possible for the models COMBIDSC-S0-Z0 / COMBIDSC-S0-Z1 /-Z3.
- The slot diffuser is screwed to the clamp strap with concealed screws (included in delivery).
- **For mounting, access on the rear is not required!**

Mounting with counter pole brace (-GT)

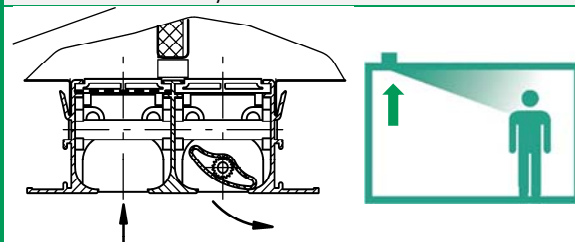
- **Only possible for the model with dummy piece (-BS1) and without plenum box.**
- Screws and clamp straps are supplied loose.
- Possible for the models COMBIDSC-R0 / COMBIDSC-P0 and COMBIDSC-S0-Z2 (with additional profile).
- Not possible for the models COMBIDSC-S0-Z0 / COMBIDSC-S0-Z1 /-Z3.
- The slot diffuser is screwed to the counter pole brace (pole brace strap) with concealed screws (included in delivery).
- **For mounting, access on the rear is required!**

Fishplate (-VL)

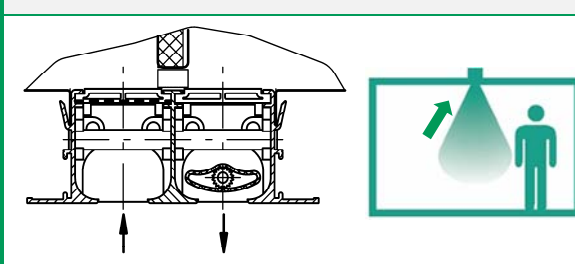
- 4 pieces, supplied loose.
- Only for connection of the corner angle to the slot diffuser in band design.
- The corner angle is fixed with the help of the fishplates (2 on each side).

BLADE POSITION FOR AIR JET

Blade position (-S) (standard) with horizontal one-way throw



Blade position (-V) vertical throw



PROCESSING

Frame surface

- Natural colour anodised aluminium (-ELOX, standard).
- Aluminium painted to:
 - RAL 9006 (white aluminium) (-9006).
 - RAL 9010 (white) (-9010).
 - Aluminium painted to a different RAL colour (at an extra charge) (-xxxx)

Blade colour

- Supply air with blade made of plastic material (hard PVC) / return air with perforated blade made of painted sheet steel:
 - Blade colour similar to RAL 9005 (black, standard) / perforated plate painted to RAL 9005 (black) (-L9005).
 - Blade colour similar to RAL 9006 (white aluminium, standard) / perforated blade painted to RAL 9006 (white aluminium) (-L9006).
 - Colour similar to RAL 9010 (white) / perforated blade painted to RAL 9010 (white) (-L9010).
 - RAL colour freely selectable (-Lxxxx)

Blade holding device

- Aluminium ducts

Internal blade divider (standard)

- Plastic (PA type 6):
 - for supply air painted to blade colour
 - for return air painted to RAL 9005

Internal blade divider (support for concealed mounting)

- Plastic (PA type 6):
 - for supply air painted to blade colour
 - for return air painted to RAL 9005

External blade plates (end plates)

- Plastic (ABS)
 - for supply air painted to blade colour
 - for return air painted to RAL 9005

Connecting pin

Connection diffuser - diffuser

- Made of plastic material
- For band design only
- Supplied loose (2 for each connection)

Depending on use, the combination slot diffuser COMBIDSC is only available with plenum box or dummy piece.

ACCESSORIES

End pieces (-E0 / -ES / -EB / -EL / -ER)

- Without end pieces (-E0).
 - With end pieces:
 - Supplied loose (-ES, pair) (standard).
 - Mounted ex works on both sides (-EB).
 - Mounted ex works on the left side (-EL).
 - Mounted ex works on the right side (-ER).
- Made of aluminium (same colour as frame).

Additional profile (-Z0 / -Z1 / -Z2 / -Z3)

- Without additional profile (-Z0).
 - With additional profile (only possible for COMBIDSC-S0):
 - Z I (-Z1): connection of ceiling panels.
 - Z II (-Z2): connection of panelled ceilings.
 - Z III (-Z3): connection of ceiling panels.
- Made of aluminium (same colour as frame).

Dummy piece (-BS0 / -BS1)

- Without dummy piece (-BS0).
- With dummy piece (-BS1):
 - Made of sheet steel painted to RAL 9005 (black).
 - Only possible without plenum box.
 - Mounting only possible with clamp strap (-KB, standard) or counter pole brace (-GT).

Plenum box (-ASK-26)

- Model (number of slots):
 - 2-slot (-2) (1 for supply air / 1 for return air)
 - 4-slot (-4) (2 for supply air / 2 for return air)
- Single / band design:
 - Single length (-N, length of plenum box max. 1500 mm)
 - Band design (-B, available lengths according to SCHAKO standard for band design)
- Length:
 - 1000 mm (-01000)
 - 1500 mm (-01500)
 - Length in mm, can be freely selected (-xxxxx, always with 5 digits)
- Mounting of box:
 - Permanent connection (-FV) (standard).
 - Concealed mounting (-VM) (only possible for the models COMBIDSC-R0 and for COMBIDSC-P0 and COMBIDSC-S0-Z2).
- Material:
 - Galvanised sheet steel (-SV) (standard).
- Damper:
 - Without damper (-DK0) (standard).
 - With damper made of galvanised sheet steel, adjustable, for simple air volume regulation:
 - In the plenum box housing (with lateral spigot position S1 and S2) (-DK1).
 - In the connection spigot, with cable-operated adjustment (with spigot position from above S0) (-DK2).
- Rubber lip seal:
 - Without rubber lip seal (-GD0)
 - With rubber lip seal (-GD1) made of special rubber, at the connection spigot.

- Insulation:
 - Without insulation (-I0)
 - With box insulation outside (-Ia), thermal insulation at the outside of the plenum box.
- Height of plenum box:
 - Standard height of plenum box (-KHS)
 - Height of plenum box in mm, freely selectable (-xxx) (minimum height = spigot diameter + 47 mm, always with 3 digits)
- Box neck:
 - Standard box neck (-KVS)
 - Box neck in mm, freely selectable (-xxx) (minimum height = 45 - 200 mm, always with 3 digits)

Can only be used with 2-slot models, 4-slot models don't have a box neck.
- Spigot position:
 - Spigot from above (-S0).
 - Lateral spigots on both sides (-S1) (standard).
 - Lateral spigot on one side (-S2).
- Spigot diameter:
 - Standard spigot diameter (-SDS).
 - Spigot diameter in mm, freely selectable (-xxx, always with 3 digits).
- Suspension:
 - Without riveting nut (-E0).
 - With riveting nut (-EM), made of brass.

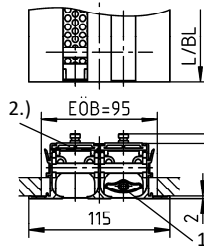
Corner angle (-EW-26)

- Model (number of slots):
 - 2-slot (-2) (1 for supply air / 1 for return air)
 - 4-slot (-4) (2 for supply air / 2 for return air)
- Frame profile:
 - Standard (-R0).
 - Narrow frame profile (-S0).
 - Special frame profile (-P0).
- Frame surface:
 - Natural colour anodised aluminium (-ELOX, standard).
 - Aluminium painted to:
 - RAL 9006 (white aluminium) (-9006).
 - RAL 9010 (white) (-9010).
 - Aluminium painted to a different RAL colour (at an extra charge) (-xxxx).
- Dummy profile made of painted aluminium:
 - Similar to RAL 9005 (black) (-B9005) (standard).
 - Similar to RAL 9006 (white aluminium) (-B9006).
 - Similar to RAL 9010 (white) (-B9010).
 - Painted aluminium, RAL colour can be freely selected (-Bxxxx).
- Angle between sides:
 - 90° (-090)
 - Angle as required (-xxx), values between $\alpha = 90^\circ$ (-090, standard) and 170° (-170) are possible.
- Left-side length (a):
 - Standard length L=250 for 2-slot models / L=400 for 4-slot models
- Right-side length (b):
 - Standard length L=250 for 2-slot models / L=400 for 4-slot models
- Including 4 fishplates (-VL, included in delivery) made of aluminium (same colour as frame), supplied loose.
- Additional profile:
 - Without additional profile (-Z0).

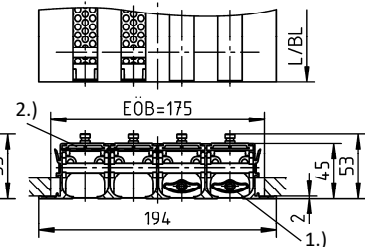
DIMENSIONS OF FRAME PROFILE

Frame profile STANDARD (-R0)

COMBIDSC-2-ZA-R0-...

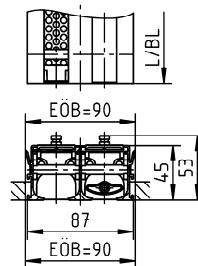


COMBIDSC-4-ZA-R0-...

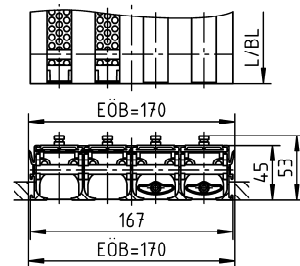


Narrow frame profile (-S0)

COMBIDSC-2-ZA-S0-...

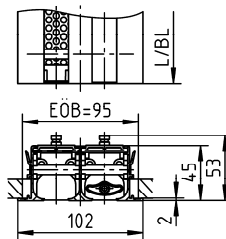


COMBIDSC-4-ZA-S0-...

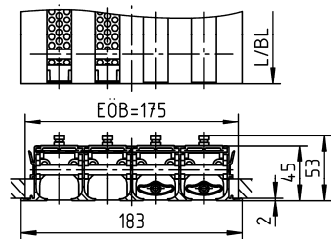


Special frame profile (-P0)

COMBIDSC-2-ZA-P0-...



COMBIDSC-4-ZA-P0-...



On the return air side, a perforated plate is mounted instead of the air deflection blades. The plate can be easily cleaned from below through the slots. To allow the volume setting mounted on top also to be cleaned more easily, the perforated plate is interrupted in the area of the connection pieces on a length L of $\varnothing D + 2$.

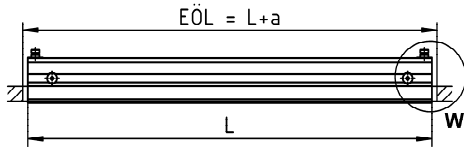
- EÖB = installation opening width
- EÖL = installation opening length
- 1.) Air deflection blade
- 2.) Perforated plate

For the available lengths for the slot diffuser, see page 6.

Available lengths for the slot diffuser

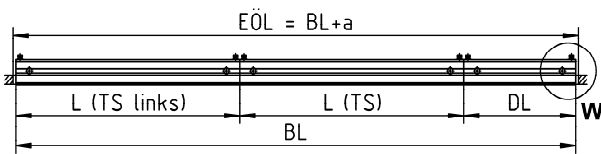
Single design (-N)

- Length **1000 mm** (length of box KL = 993 mm) (-01000-N)
- Length **1500 mm** (length of box KL = 1493 mm) (-01500-N)
- Length in mm, can be freely selected (length of box KL = L - 7 mm), possible length L < 1500 mm to ≥ 400 mm) (-xxxx-N)



Band design (-B)

- Length in mm, can be freely selected, as band (-xxxx-B)
 (Available lengths according to SCHAKO standard)



Available lengths according to SCHAKO standard:

When the slot diffuser type COMBIDSC is designed as a band, the total length BL is assembled from lengths (sections) of **1000 mm or 1500 mm**. The difference pieces are supplied in lengths < 1500 mm to ≥ 400 mm.

	a
COMBIDSC-...-R0	10
COMBIDSC-...-P0	15
COMBIDSC-...-S0	15

- EÖL = installation opening length
 - DL = difference in length
 - Left TS = left section
 - L = length
 - BL = band length
- For detail W, see page 13.

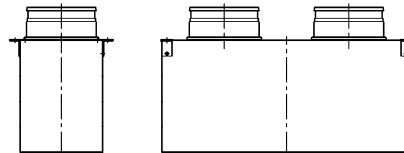
DIMENSIONS OF ACCESSORIES

Plenum box (-ASK-24)

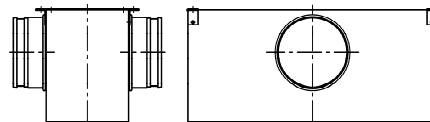
Spigot position

- S0 = spigot from above
- S1 = lateral spigots on both sides (standard)
- S2 = lateral spigot on one side

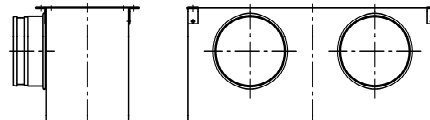
Spigot from above (-S0)



Lateral spigots on both sides (-S1) (standard)



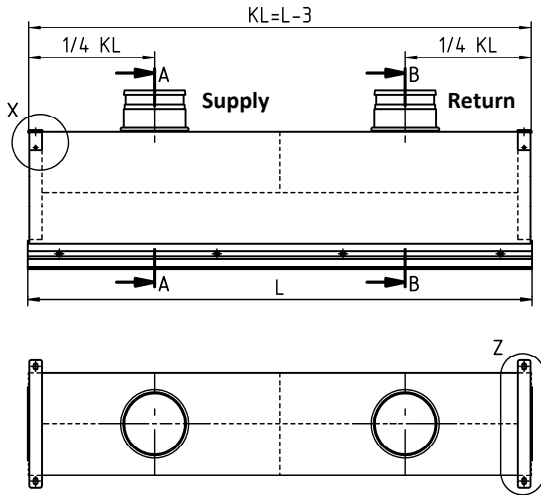
Lateral spigot on one side (-S2)



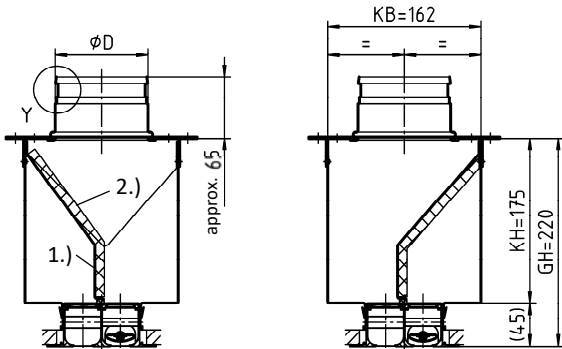
Plenum box with permanent connection (-FV)

The slot diffuser is permanently connected to the plenum box. Standard for the models COMBIDSC-R0 / COMBIDSC-S0 and COMBIDSC-P0.

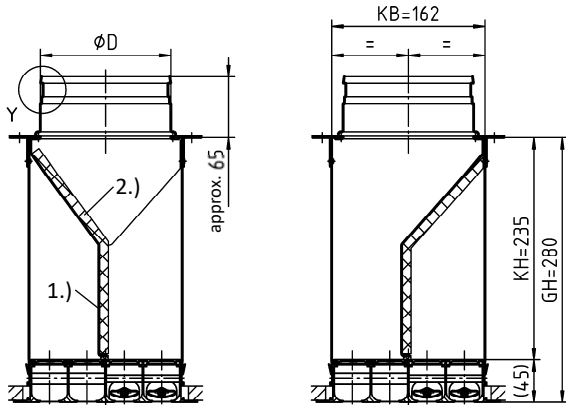
With spigot from above (-S0)



COMBIDSC-2-...-ASK-26-...-FV-S0
 Section A-A / supply air Section B-B / return air



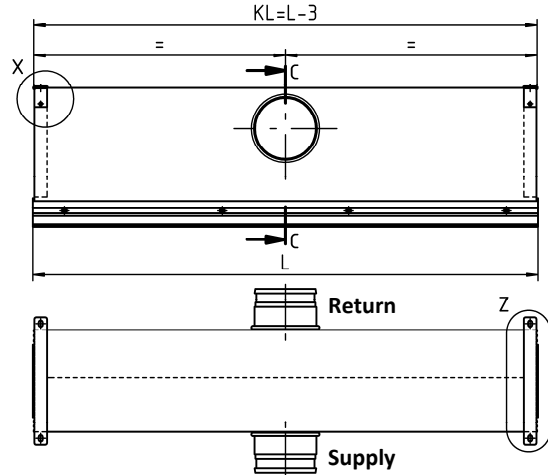
COMBIDSC-4-...-ASK-26-...-FV-S0
 Section A-A / supply air Section B-B / return air



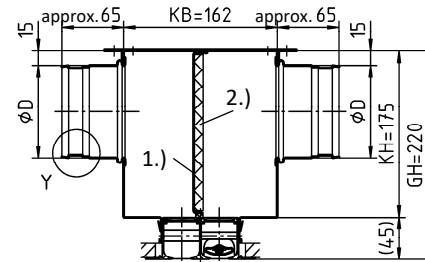
- 1.) Partition plate
- 2.) Foam

Construction subject to change
 No return possible

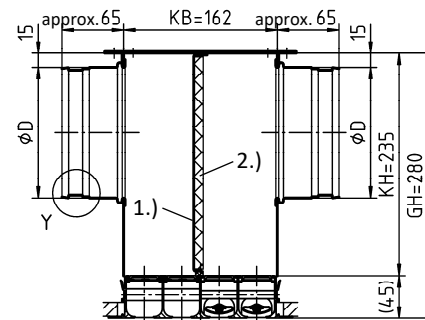
With lateral spigots on both sides (-S1)



COMBIDSC-2-...-ASK-26-...-FV-S1
 Section C-C

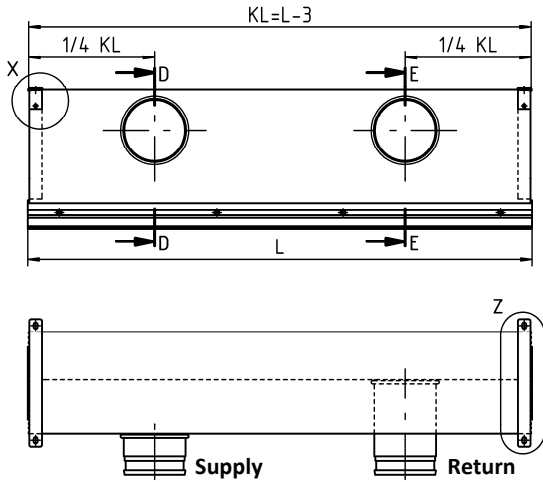


COMBIDSC-4-...-ASK-26-...-FV-S1
 Section C-C

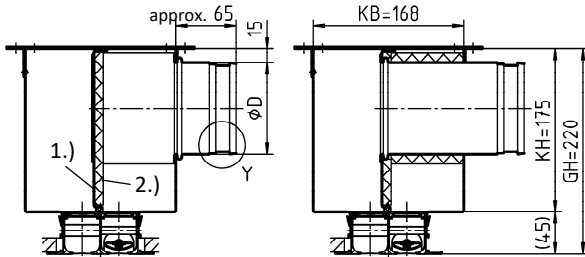


For the table of available sizes, see page 8
 For diffuser mounting, detail X, see page 11.
 For detail Y (rubber lip seal), see page 11.
 For fastening details, see page 18.
 For the band design, see page 15.

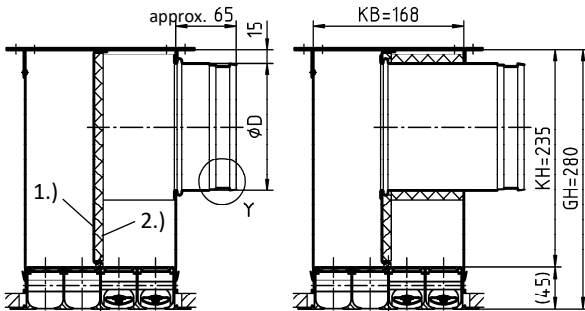
With lateral spigot on one side (-S2)



COMBIDSC-2-...-ASK-26-...-FV-S2
 Section D-D / supply air Section E-E / return air



COMBIDSC-4-...-ASK-26-...-FV-S2
 Section D-D / supply air Section E-E / return air



- 1.) Partition plate
- 2.) Foam

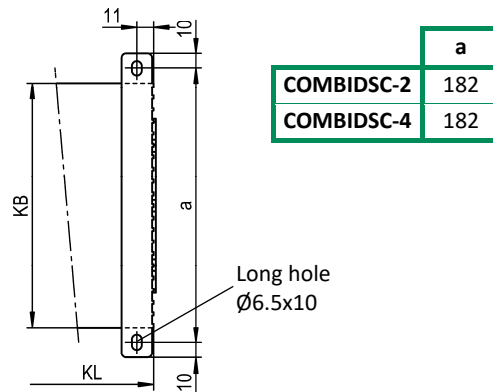
Available sizes
Plenum box with permanent connection
(ASK-26-...-FV-S0/-S1/-S2)

	KB	GH	KH	EÖB		b	øD		
				...-R0	...-S0		L ≤ 1000	L > 1000	L ≤ 1500
				...-P0	...-S0				
COMBIDSC-2	168	220	175	95	90	40	ø 98	ø 123	
COMBIDSC-4	168	280	235	175	170	120	ø 138	ø 138	

L	EÖL		KL	Weight incl. plenum box (kg)	
	...-R0	...-P0 ...-S0		COMBIDSC-2	COMBIDSC-4
1000	1010	1015	997	8.0	12.0
1500	1510	1515	1497	12.0	18.0

Intermediate lengths and other spigot diameters on request.
 At an extra charge, the plenum box neck can be extended from the standard length to up to 200 mm by means of a non-adjustable neck piece.

Detail Z



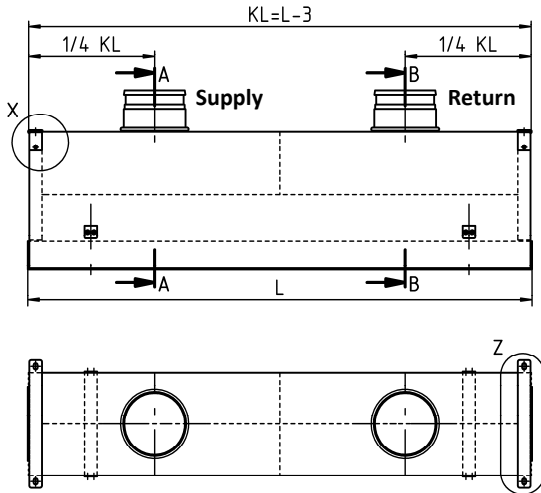
For diffuser mounting, detail X, see page 11.
 For detail Y (rubber lip seal), see page 11.
 For fastening details, see page 18.
 For the band design, see page 15.

Plenum box with concealed mounting (-VM)

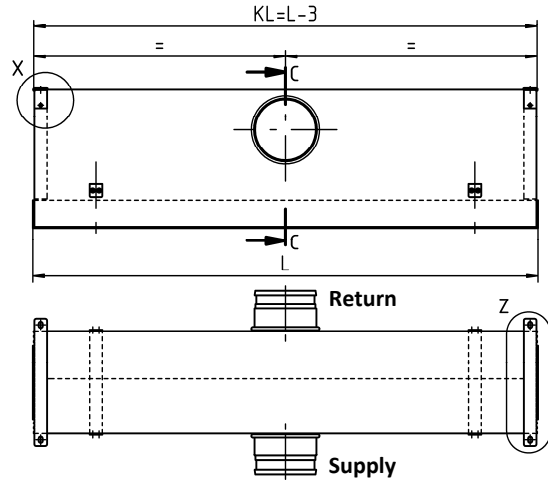
The slot diffuser is screwed to the pole brace in the plenum box housing with concealed screws.

Possible for the models COMBIDSC-R0 / COMBIDSC-P0 and COMBIDSC-S0-Z2 (with additional profile). Not possible for the models COMBIDSC-S0-Z0 /-Z1 /-Z3.

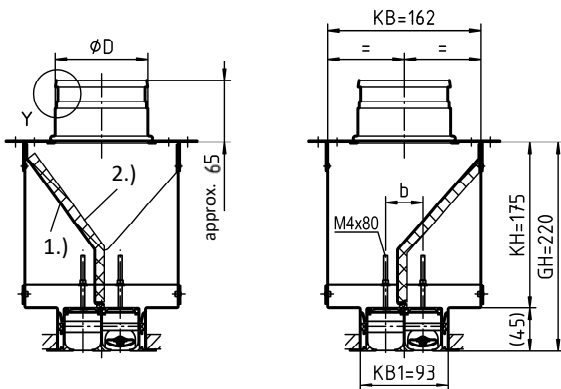
With spigot from above (-S0)



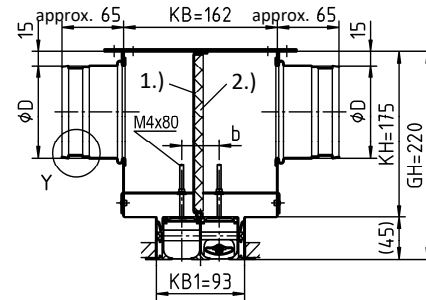
With lateral spigots on both sides (-S1)



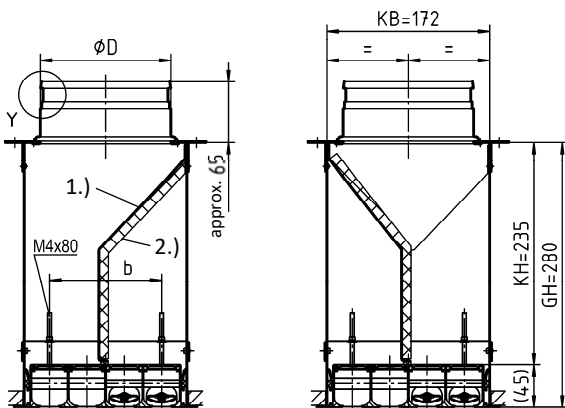
COMBIDSC-2-...-ASK-26-...-VM-S0 Section A-A / supply air Section B-B / return air



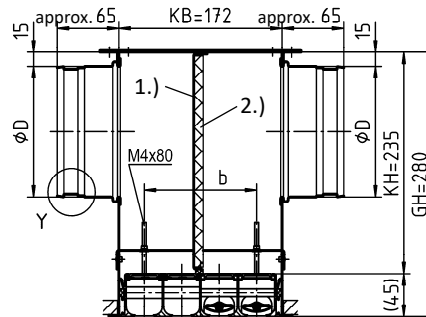
COMBIDSC-2-...-ASK-26-...-VM-S1 Section C-C



COMBIDSC-4-...-ASK-26-...-VM-S0 Section A-A / supply air Section B-B / return air



COMBIDSC-4-...-ASK-26-...-VM-S1 Section C-C

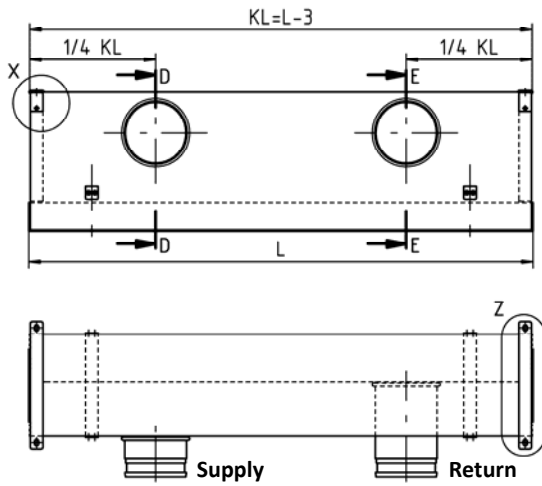


- 1.) Partition plate
- 2.) Foam

Construction subject to change
 No return possible

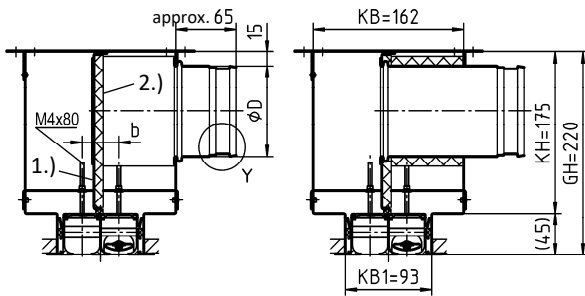
For the table of available sizes, see page 10
 For dimension b, see page 10.
 For diffuser mounting, detail X, see page 11.
 For detail Y (rubber lip seal), see page 11.
 For fastening details, see page 18.
 For the band design, see page 15.

With lateral spigot on one side (-S2)



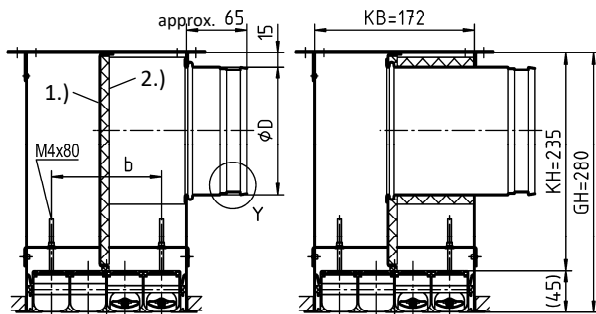
COMBIDSC-2-...-ASK-26-...-VM-S2

Section D-D / supply air Section E-E / return air



COMBIDSC-4-...-ASK-26-...-VM-S2

Section D-D / supply air Section E-E / return air



- 1.) Partition plate
- 2.) Foam

Available sizes

Plenum box with concealed mounting (ASK-26-...-VM-S0/-S1/-S2)

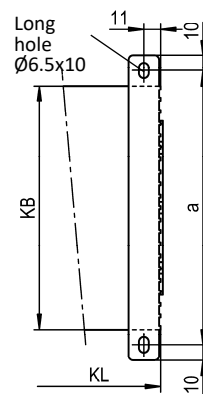
	KB	GH	KH	EÖB	b	øD	
						L _{VI} 1000	L _{VI} 1000-1500
COMBIDSC-2	162	220	175	95	40	ø 98	ø 123
COMBIDSC-4	172	280	235	175	120	ø 138	ø 138

L	EÖL		KL	Weight incl. plenum box (kg)	
	...-R0	...-P0		COMBIDSC-1	COMBIDSC-4
1000	1010	1015	997	8.0	12.0
1500	1510	1515	1497	12.0	18.0

Intermediate lengths and other spigot diameters on request.

At an extra charge, the plenum box neck can be extended from the standard length to up to 200 mm by means of a non-adjustable neck piece.

Detail Z



	a
COMBIDSC-2	182
COMBIDSC-4	192

For diffuser mounting, detail X, see page 11.

For detail Y (rubber lip seal), see page 11.

For fastening details, see page 18.

For the band design, see page 15.

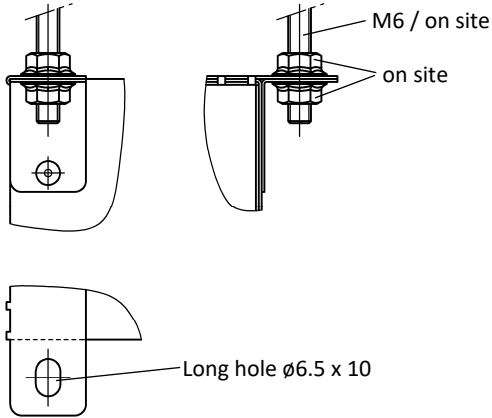
EÖB = installation opening width

EÖL = installation opening length

Plenum box mounting

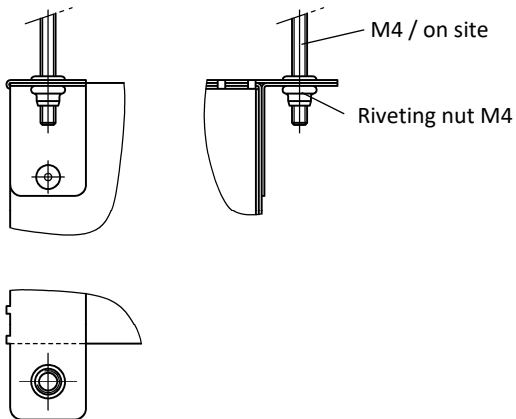
Detail X

with long hole $\varnothing 6.5 \times 10$ (-E0, standard):



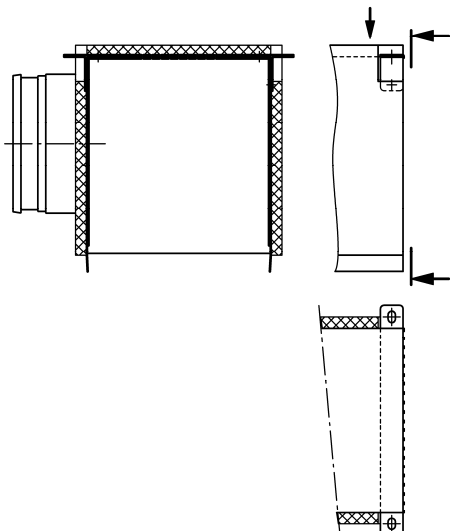
with riveting nut M4 (-EM, at an extra charge):

At an extra charge, the plenum boxes can be fitted with M4 riveting nuts to facilitate ceiling mounting.



Insulation (-Ia), for ASK

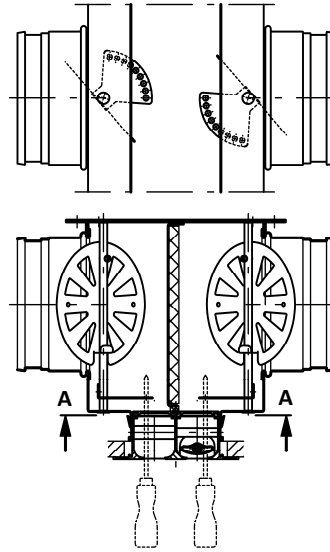
External (-Ia)



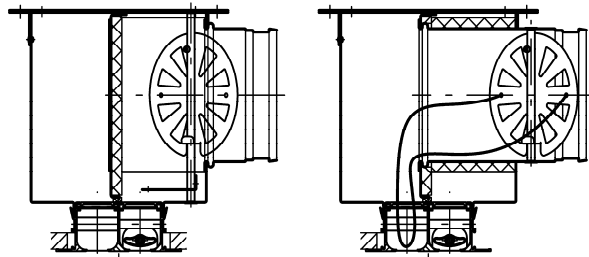
Damper (-DK1/-DK2), for ASK

-DK1, lateral connection on both sides (-S1, standard)

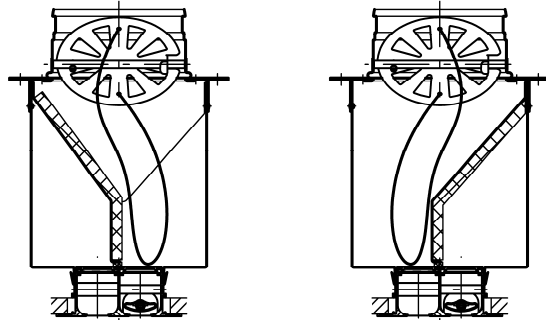
A-A (without slot diffuser)



-DK1, lateral connection on one side (-S2)

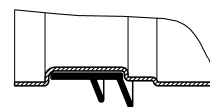


-DK2, connection from above (-S0, with cable-operated adjustment)



Rubber lip seal (-GD1), for ASK

Detail Y



Additional profiles (-Z0 / -Z1 / -Z2 / -Z3)

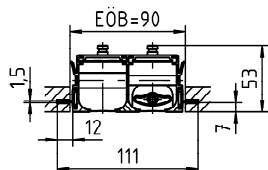
Only possible for COMBIDSC-S0.

Models:

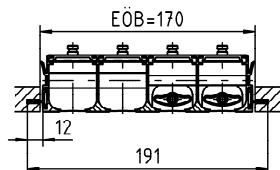
- Without additional profile (-Z0).
- With additional profile Z I (-Z1): connection of ceiling panels
- With additional profile Z II (-Z2): connection of panelled ceilings
- With additional profile Z III (-Z3): connection of ceiling panels.

Additional profile Z I (-Z1)

COMBIDSC-2

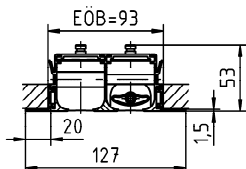


COMBIDSC-4

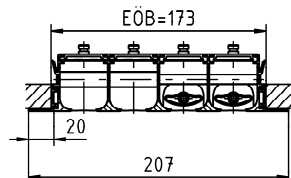


Additional profile Z II (-Z2)

COMBIDSC-2

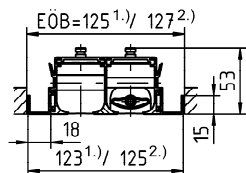


COMBIDSC-4

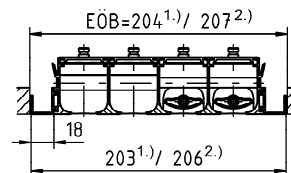


Additional profile Z III (-Z3)

COMBIDSC-2



COMBIDSC-4



1. = anodised model
 2. = painted model
- EÖB = installation opening width

For the available lengths for the slot diffuser, see page 6.

Dummy piece (-BS0 / -BS1)

Only possible without plenum box.
 Suitable for all frame profiles (-R0 / -S0 / -P0).
 Mounting only possible with clamp strap (-KB, standard) or counter pole brace (-GT).

Models:

- BS0: without dummy piece (only possible in connection with plenum box).
- BS1: with dummy piece made of sheet steel painted to RAL 9005 (black).



Dummy piece

COMBIDSC-2



COMBIDSC-4



For the available lengths for the slot diffuser, see page 6.

End pieces (-E0 / -ES / -EB / -EL / -ER)

To give the impression of a continuous frame, lateral front end pieces can be fitted.

Models:

- E0 = without end piece
- ES = with end pieces (pair) (standard), supplied loose.
- EB = with end pieces (pair) mounted ex works.
- EL = with end piece mounted ex works on the left side
- ER = with end piece mounted ex works on the right side

For COMBIDSC-R0 / COMBIDSC-P0:



For COMBIDSC-S0-Z0:



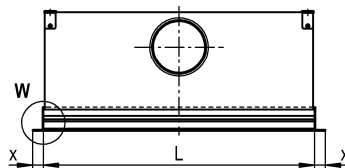
For COMBIDSC-S0-Z1:



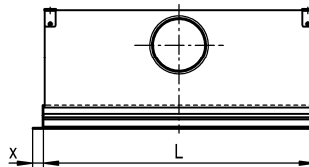
For COMBIDSC-S0-Z2 / COMBIDSC-S0-Z3:



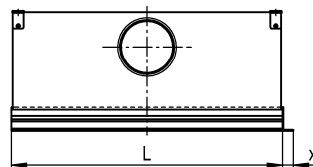
End piece on both sides



End piece on the left

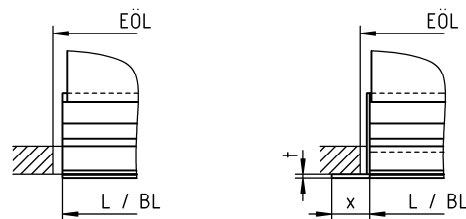


End piece on the right



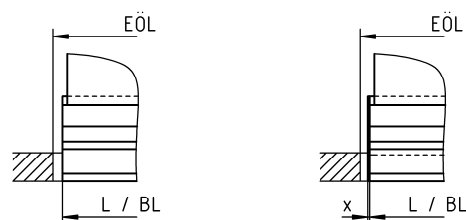
Detail W

COMBIDSC-...-R0 / ...-P0 / ...-S0-Z2 / -Z3
 without end pieces with end pieces



COMBIDSC-...-S0-Z0 / -Z1

without end pieces with end pieces



	x	t
COMBIDSC-...-R0	20	2
COMBIDSC-...-P0	16	2
COMBIDSC-...-S0-Z2	20	2
COMBIDSC-...-S0-Z0 / -Z1 / -Z3	1	-

Installation opening in the length section:

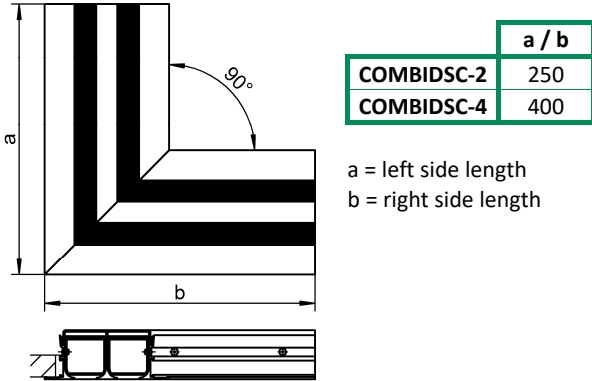
$EÖL = L+a$ or $BL+a$

	a
COMBIDSC-...-R0	10
COMBIDSC-...-P0	15
COMBIDSC-...-S0	15

Corner angle 90° (-EW)

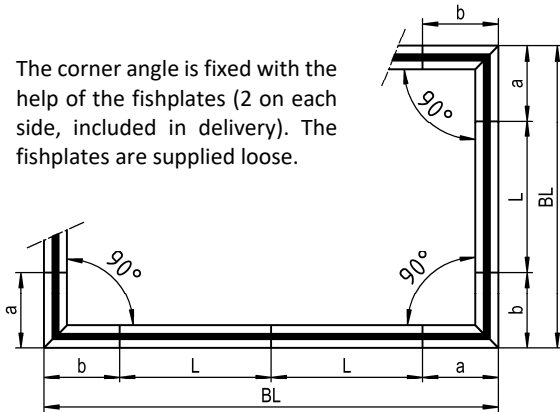
Corner angles can only be produced as dummy pieces, i.e., without a plenum box. The standard corner angle has a 90° angle and a side length of 250 mm (for COMBIDSC-2-...) or 400 mm (for COMBIDSC-4-...).

Standard angle between sides is 90°. Angle as required, a value between 90° and 170° is possible.

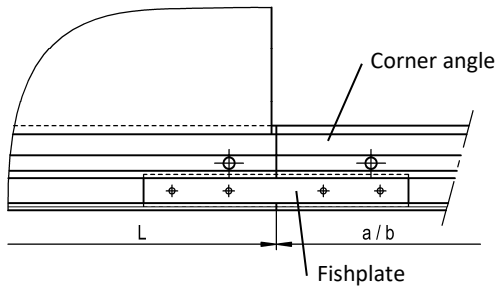


Installation detail, corner angle in band design

The corner angle is fixed with the help of the fishplates (2 on each side, included in delivery). The fishplates are supplied loose.



Fishplate (-VL), for band design



Detail fishplate corner angle

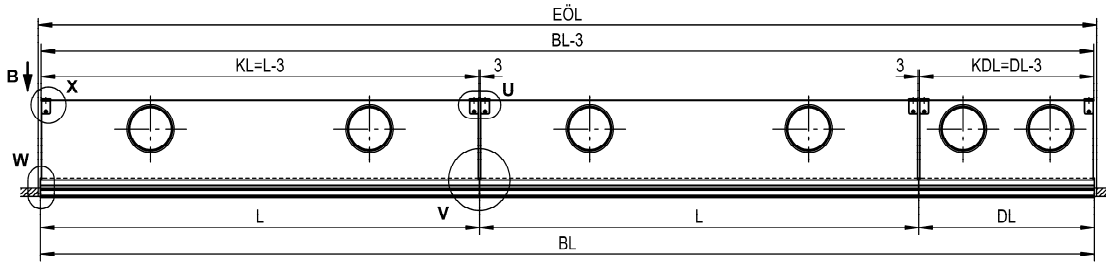
Frame profile:

...-R0 / -P0: ...-S0:

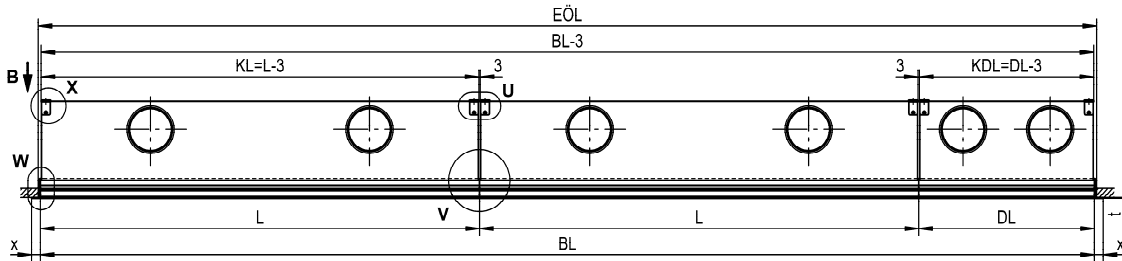


BAND DESIGN

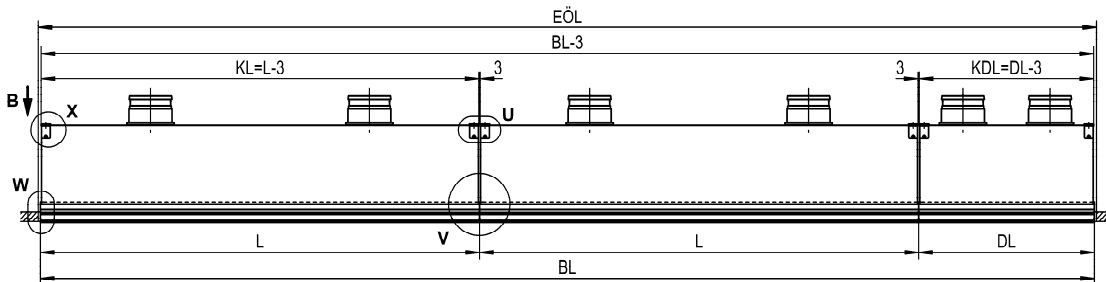
COMBIDSC without end piece / permanent connection FV and concealed mounting VM / lateral spigot (-S1/-S2)



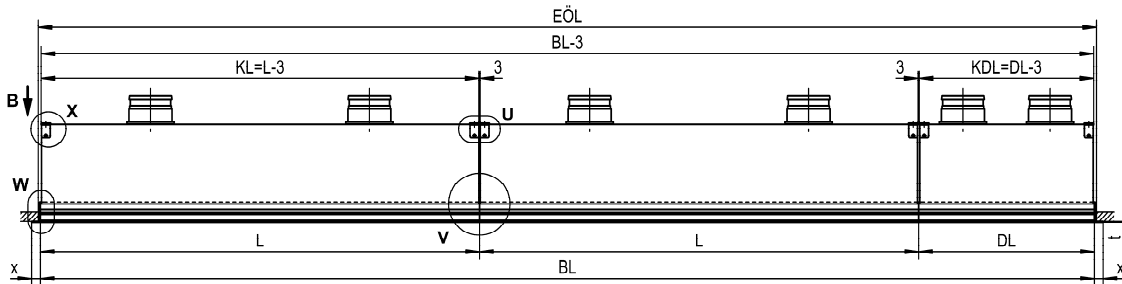
COMBIDSC with end piece / permanent connection FV and concealed mounting VM / lateral spigot (-S1/-S2)



COMBIDSC without end piece / permanent connection FV and concealed mounting VM / spigot from above (-S0)



COMBIDSC with end piece / permanent connection FV and concealed mounting VM / spigot from above (-S0)



When the slot diffuser type COMBIDSC is designed as a band >2000 mm, the total length BL is assembled from standard lengths of 1500 mm. The difference pieces <1500 mm to ≥400 mm can be fitted with a plenum box. The difference pieces <400 mm are supplied as dummy pieces without plenum box. A different band division is possible after consultation and when required by the customer.

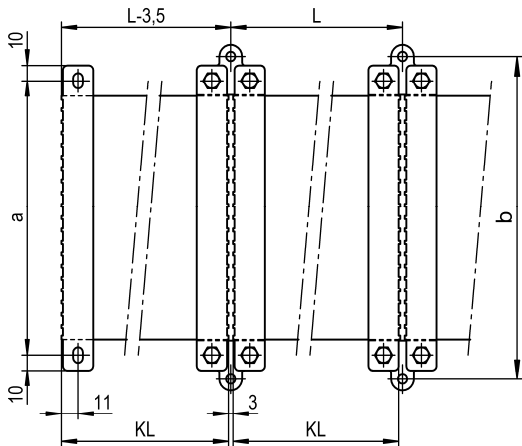
- L = length
- DL = difference in length
- BL = band length
- KL = length of plenum box
- KDL = difference in length, plenum box
- EÖL = ceiling opening dimensions

	x	t	a
COMBIDSC-...-R0-...	20	2	10
COMBIDSC-...-P0-...	16	2	15
COMBIDSC-...-S0-Z0	1	-	
COMBIDSC-...-S0-Z1	1	-	
COMBIDSC-...-S0-Z2	20	2	
COMBIDSC-...-S0-Z3	1	-	

Installation opening in the length section: **EÖL = BL+a**

For detail V / detail X / detail U, see page 16.
 For detail W, see page 13. For view B see page 16.
 For available sizes, see pages 7 + 8 + 9 + 10.

View B

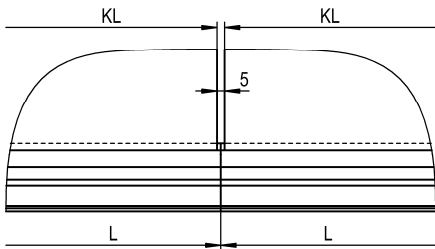


Available sizes

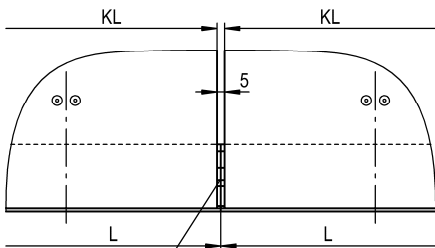
	FV				VM			
	-S1/-S2		-S0		-S1/-S2		-S0	
	a	b	a	b	a	b	a	b
COMBIDSC-1	103	135	142	174	116	148	142	174
COMBIDSC-4	182	214	182	214	196	228	196	228

Detail V

Butt joint of permanent connection (-FV)



Butt joint of concealed mounting (-VM)

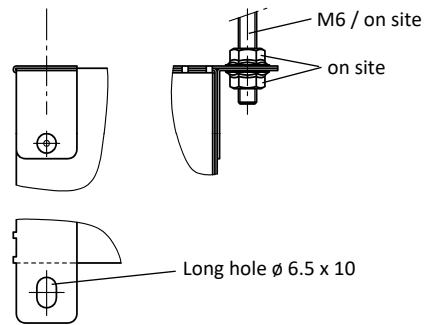


Seal butt joint on site (sealing tape)

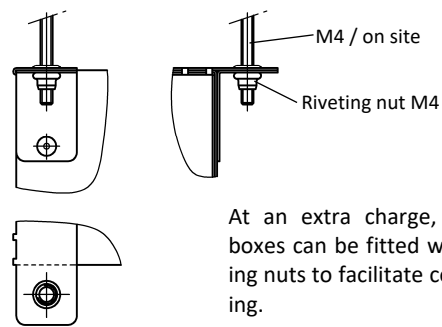
Plenum box mounting

Detail X

with long hole $\phi 6.5 \times 10$ (-E0, standard):



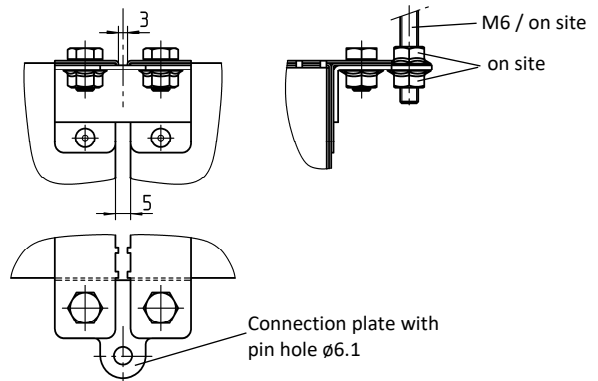
with riveting nut M4 (-EM, at an extra charge):



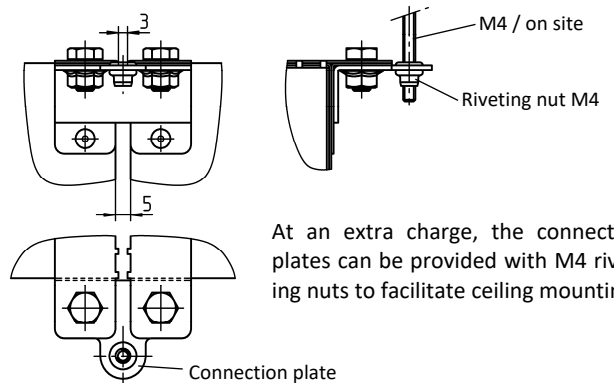
At an extra charge, the plenum boxes can be fitted with M4 riveting nuts to facilitate ceiling mounting.

Detail U

with pin hole $\phi 6.1$ (-E0, standard):

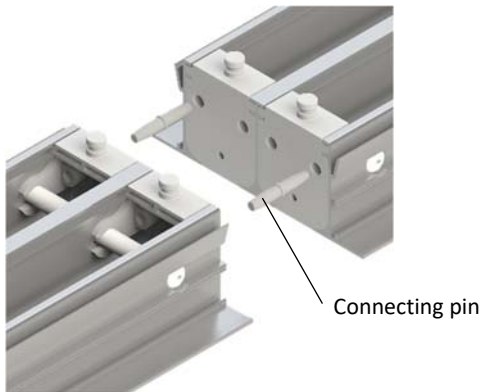


with riveting nut M4 (-EM, at an extra charge):



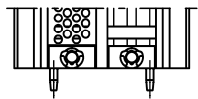
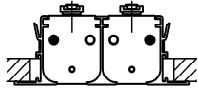
At an extra charge, the connection plates can be provided with M4 riveting nuts to facilitate ceiling mounting.

Connecting pin for band design
(supplied loose as standard)

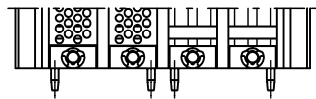
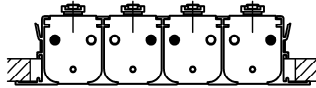


Arrangement of connecting pins

COMBIDSC-2-...



COMBIDSC-4-...



Attention:

The connecting pins are only suitable for positioning and for force transmission.

FASTENING METHODS

Permanent connection (-FV)

With plenum box (-ASK)

Standard for the models COMBIDSC-R0, COMBIDSC-S0 and COMBIDSC-P0.
 The slot diffuser is permanently connected to the plenum box. (see pages 7 + 8)

COMBIDSC-...-R0 / ...-P0



COMBIDSC-...-S0

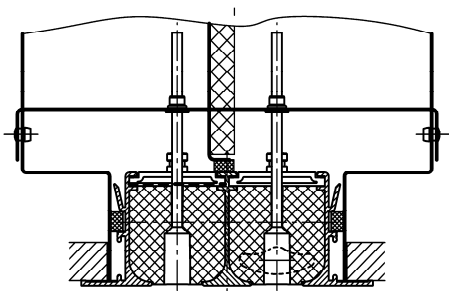


Concealed mounting (-VM)

Possible for the models COMBIDSC-R0 / COMBIDSC-P0 and COMBIDSC-S0-Z2 (with additional profile).

Not possible for the models COMBIDSC-S0-Z0 / COMBIDSC-S0-Z1 / -Z3.

The slot diffuser is screwed to the pole brace in the plenum box housing with concealed screws. (See pages 9 + 10)

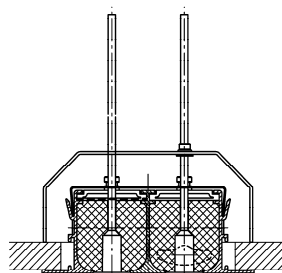


Clamp strap (-KB, standard)

Only available for models with dummy piece.

Screws and clamp straps are supplied loose.
 Possible for the models COMBIDSC-R0 / COMBIDSC-P0 and COMBIDSC-S0-Z2 (with additional profile).
 Not possible for the models COMBIDSC-S0-Z0 / COMBIDSC-S0-Z1 / -Z3.
 The slot diffuser is screwed to the clamp strap with concealed screws (included in delivery).

For mounting, access on the rear is not required!
 (see page 19)

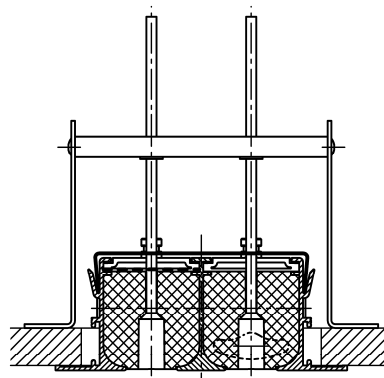


Counter pole brace (-GT)

With dummy piece (-BS...)

Only available for models with dummy piece.
 Screws and counter pole brace are supplied loose.
 Possible for the models COMBIDSC-R0 / COMBIDSC-P0 and COMBIDSC-S0-Z2 (with additional profile).
 Not possible for the models COMBIDSC-S0-Z0 / COMBIDSC-S0-Z1 / -Z3.
 The slot diffuser is screwed to the counter pole brace (pole brace strap) with concealed screws (included in delivery).

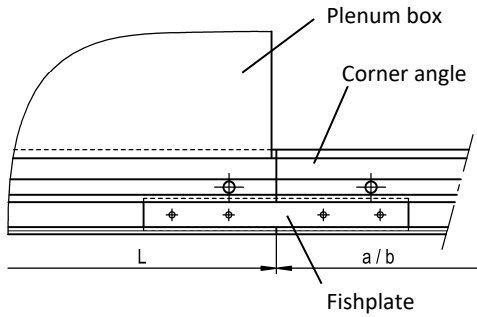
For mounting, access on the rear is required!
 (see page 19)



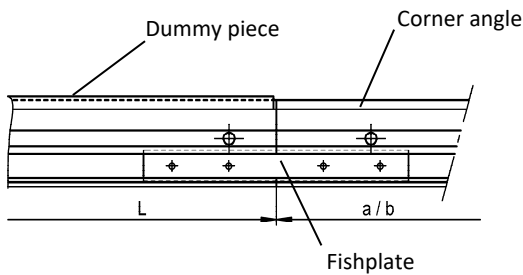
Fishplate (-VL)

4 pieces, supplied loose.
 Only for connection of the corner angle to the slot diffuser in band design.
 The corner angle is fixed with the help of the fishplates (2 on each side).
 (see page 14)

With plenum box (-ASK)



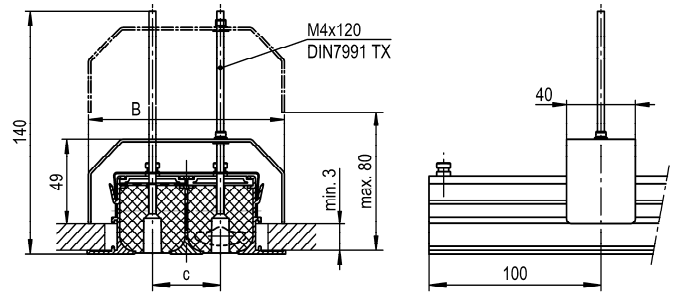
With dummy piece (-BS...)



MOUNTING WITH CLAMP STRAP (-KB)

Screws and clamp straps are supplied loose.
 Only possible without plenum box.
 Possible for the models COMBIDSC-R0 / COMBIDSC-P0 and COMBIDSC-S0-Z2 (with additional profile).
 Not possible for the models COMBIDSC-S0-Z0 / COMBIDSC-S0-Z1 / -Z3.
 The slot diffuser is screwed to the clamp strap with concealed screws (included in delivery).

For mounting, access on the rear is not required!



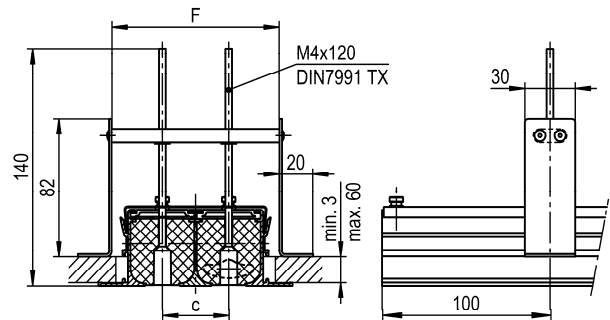
	B	c
COMBIDSC-2	114	40
COMBIDSC-4	194	119

MOUNTING WITH COUNTER POLE BRACE (-GT)

Screws and counter pole brace are supplied loose.
 Only possible without plenum box.
 Possible for the models COMBIDSC-R0 / COMBIDSC-P0 and COMBIDSC-S0-Z2 (with additional profile).
 Not possible for the models COMBIDSC-S0-Z0 / COMBIDSC-S0-Z1 / -Z3.

The slot diffuser is screwed to the counter pole brace (pole brace strap) with concealed screws (included in delivery).

For mounting, access on the rear is required!

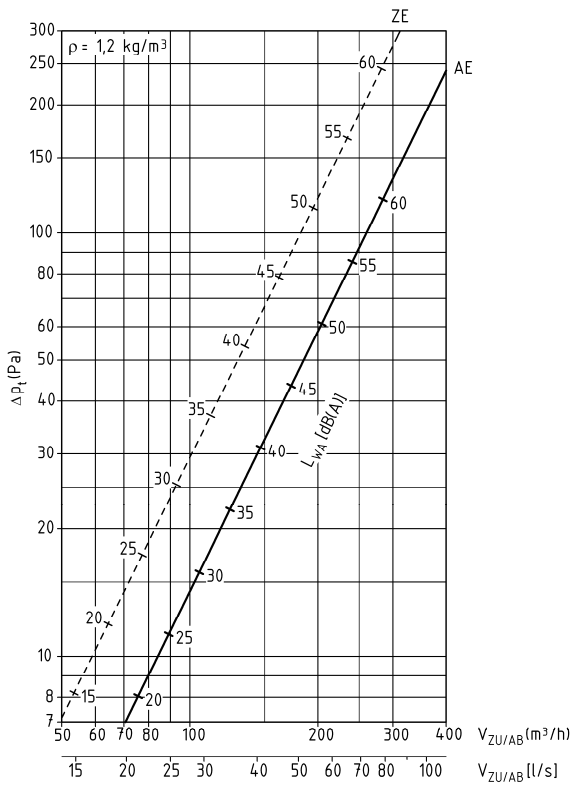


	F	c
COMBIDSC-2	100	40
COMBIDSC-4	180	119

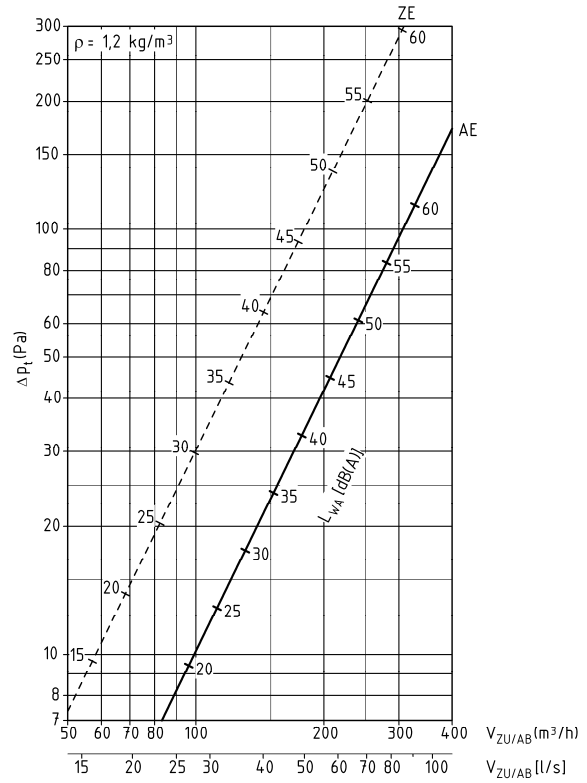
TECHNICAL DATA

Pressure loss and noise level

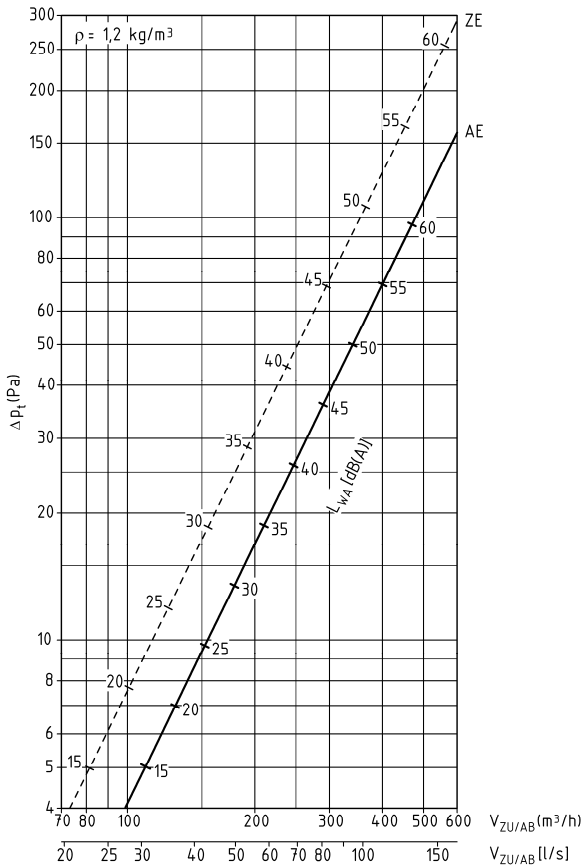
COMBIDSC-2-...-01000-...-ASK-26-2-...-S0-...



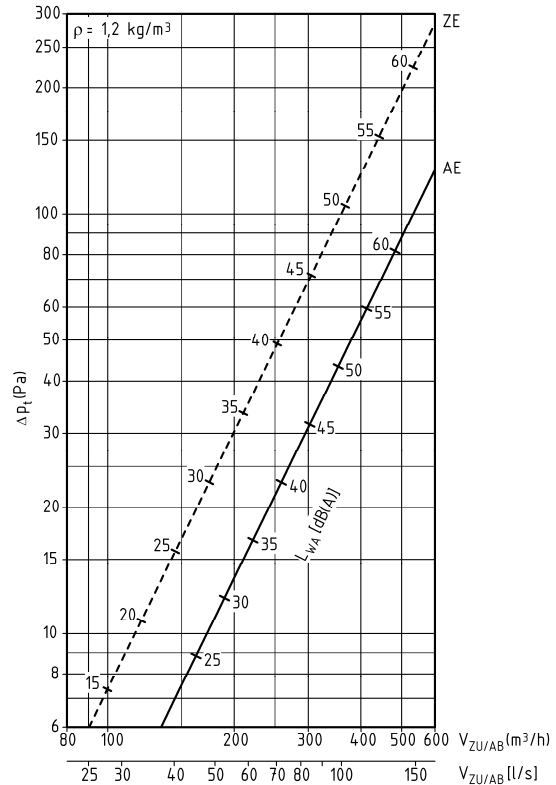
COMBIDSC-2-...-01000-...-ASK-26-2-...-S1/S2-...



COMBIDSC-4-...-01000-...-ASK-26-2-...-S0-...



COMBIDSC-4-...-01000-...-ASK-26-2-...-S1/S2-...



ZE = supply air unit
 AE = return air unit

LEGEND

$V_{ZU/AB}$ (m ³ /h) [l/s]	=	supply air / return air volume
Δp_t (Pa)	=	Total pressure loss
ρ (kg/m ³)	=	Density
L_{WA} [dB(A)]	=	A-weighted sound power level
KF (-)	=	Correction factor
L (mm)	=	length
BL (mm)	=	Band length
DL (mm)	=	Difference in length
KH (mm)	=	Height of box
GH (mm)	=	Total height
KB (mm)	=	Width of box
KL (mm)	=	Length of box
D (mm)	=	Diameter
EÖB (mm)	=	Installation opening width
EÖL (mm)	=	Installation opening length

SLOT DIFFUSER ORDER CODE

01	02	03	04	05	06
Type	Model	Air throw	Frame profile	Frame surface	Blade colour
Example					
COMBIDSC	-2	-ZA	-R0	-9010	-L9005

07	08	09	10	11	12	13
Blade position for air jet	Single / band design	Length	Mounting	End piece	Additional profile	Dummy piece
Example						
-S	-N	-01000	-FV	-ES	-Z0	-BS0

Sample

COMBIDSC-2-ZA-R0-9010-L9005-S-N-01000-FV-ES-Z0-BS0

Combination slot diffuser COMBIDSC | 2-slot | Supply air (with blades) / return air (without blades, with perforated plate) | Frame profile STANDARD | Aluminium painted to RAL colour 9010 (white) | Supply air with blades made of plastic material (hard PVC) similar to RAL 9005 (black) - Return air with perforated plate painted to RAL 9005 (black) | Blades with horizontal one-way throw | Single design | Length 1000 mm | Permanent connection to plenum box | With end piece | Without additional profile | Without dummy piece

ORDER DETAILS

01 - Type

COMBIDSC = COMBIDSC combination slot diffuser

02 - Model

2 = 2-slot (1 for supply air / 1 for return air)
4 = 4-slot (2 for supply air / 2 for return air)

03 - Air throw

ZA = supply air (with blades) / return air (without blades, with perforated plate)

04 - Frame profile

R0 = Frame profile STANDARD
S0 = Narrow frame profile
P0 = Special frame profile

05 - Frame surface

ELOX = Natural colour anodised aluminium (standard).
9006 = Aluminium painted to RAL colour 9006 (white aluminium).
9010 = Aluminium painted to RAL colour 9010 (white)
xxxx = Aluminium painted to another RAL colour, at an extra charge (freely selectable, always with 4 digits)

06 - Blade colour

L9005 = supply air with blades made of plastic material (hard PVC) similar to RAL 9005 (black) / return air with perforated plate painted to RAL 9005 (black).
L9006 = supply air with blades made of plastic material (hard PVC) similar to RAL 9006 (white aluminium) / return air with perforated plate painted to RAL 9006 (white aluminium).
L9010 = supply air with blades made of plastic material (hard PVC) similar to RAL 9010 (white) / return air with perforated plate painted to RAL 9010 (white).
Lxxxx = supply air with blades made of plastic material (hard PVC) painted to a freely selectable RAL colour / return air with perforated plate in the same colour

07 - Blade position for air jet

V = blades with vertical throw.
S = blades with horizontal one-way throw (standard).

08 - Single / band design

N = single design (length max. 1500 mm).
B = band design (available lengths according to SCHAKO standard for band design).

09 - Length

01000 = length 1000 mm.
01500 = length 1500 mm.
xxxxx = length in mm, can be freely selected (always with 5 digits).

10 - Mounting

FV = permanent connection to plenum box (only possible with plenum box) (standard).
VM = concealed mounting (only possible with plenum box, possible for the models COMBIDSC-...-R0 / -P0 and COMBIDSC-...-S0-...-Z2 (with additional profile)).
KB = mounting with clamp strap (only possible without plenum box, possible for the models COMBIDSC-...-R0 / -P0 and COMBIDSC-...-S0-...-Z2 (with additional profile)) (standard).
GT = mounting with counter pole brace (only possible without plenum box, possible for the models COMBIDSC-...-R0 / -P0 and COMBIDSC-...-S0-...-Z2 (with additional profile)).

11 - End piece

E0 = without end piece (standard).
ES = with end piece (pair, supplied loose).
EB = with end piece mounted ex works on both sides.
EL = with end piece mounted ex works on the left side.
ER = with end piece mounted ex works on the right side.

12 - Additional profile

Z0 = without additional profile (standard).
Z1 = with additional profile Z I.
Z2 = with additional profile Z II.
Z3 = with additional profile Z III.
Additional profiles are only available for frame profile COMBIDSC-...-S0.

13 - Dummy piece

BS0 = without dummy piece, only possible in connection with plenum box.
BS1 = with dummy piece made of sheet steel painted to RAL 9005 (black).
Dummy piece only possible without plenum box.
Mounting only possible with clamp strap (-KB, standard) or counter pole brace (-GT).

Depending on use, the combination slot diffuser COMBIDSC is only available with plenum box or dummy piece.

PLENUM BOX ORDER CODE

01	02	03	04	05	06	07	08
Type	Diffuser	Model	Single / Band design	Length	Mounting of box	Material	Damper
Example							
ASK	-26	-2	B	-11500	-FV	-SV	-DK1

09	10	11	12	13	14	15
Rubber lip seal	Insulation	Height of plenum box	Box neck	Spigot position	Spigot diameter	Suspension
-GD1	-I0	-KHS	-KVS	-S1	-SDS	-E0

Sample

ASK-26-2-B-01000-FV-SV-DK1-GD1-I0-KHS-KVS-S1-SDS-E0

Plenum box for slot diffuser | For COMBIDSC | 2-slot | Band design | Length 11,500 mm | Permanent connection | Galvanised steel sheet | With damper | With rubber lip seal | Without insulation | Standard height of box | Standard box neck | Lateral spigot | Standard spigot diameter | Without riveting nut

ORDER DETAILS

01 - Type

ASK = plenum box for slot diffuser

02 - Diffuser

26 = for COMBIDSC

03 - Model

2 = 2-slot (1 for supply air / 1 for return air)
4 = 4-slot (2 for supply air / 2 for return air)

04 - Single / band design

N = single design (length of box max. 1500 mm).
B = band design (available lengths according to SCHAKO standard for band design)

05 - Length

01000 = length 1000 mm
01500 = length 1500 mm
xxxxx = length in mm, can be freely selected (always with 5 digits, length min. 400 mm / max. 1500 mm)

06 - Mounting of box

FV = permanent connection (standard)
VM = concealed mounting (only possible for the modules COMBIDSC-R0 / COMBIDSC-P0 and COMBIDSC-S0 -Z2)

07 - Material

SV = galvanised sheet steel (standard)

08 - Damper

DK0 = without damper (standard)
DK1 = with damper (only with lateral spigot position (-S1 and S2), in the plenum box housing)
DK2 = With damper and cable-operated adjustment (SZV) (only with connection from above (-S0), in the connection spigot)

09 - Rubber lip seal

GD0 = without rubber lip seal (standard)
GD1 = with rubber lip seal

10 - Insulation

I0 = without insulation (standard)
Ia = with box insulation outside

11 - Height of plenum box

KHS = standard height of plenum box
xxx = height of box in mm, can be freely selected (minimum height = spigot diameter +47 mm, always with 3 digits)

12 - Box neck

KVS = Standard box neck
xxx = Box neck in mm, freely selectable (minimum height= 45-200 mm, always with 3 digits)
Can only be used with 2-slot models, 4-slot models don't have a box neck.

13 - Spigot position

S0 = spigot from above
S1 = lateral spigots on both sides (standard)
S2 = lateral spigot on one side

14 - Spigot diameter

SDS = standard spigot diameter
xxx = spigot diameter in mm, can be freely selected (always with 3 digits)

15 - Suspension

E0 = without riveting nut (standard)
EM = with riveting nut

ORDER CODE CORNER ANGLE

01	02	03	04	05
Type	Diffuser	Model	Frame profile	Frame surface
Example				
EW	-26	-2	-R0	-ELOX

06	07	08
Dummy profile colour	Angle between sides	Additional profile
-B9005	-090	-Z0

Sample

EW-26-2-R0-ELOX-B9005-090-Z0

Corner angle for slot diffuser | For COMBIDSC | 2-slot | STANDARD frame profile | Frame surface: natural colour anodised aluminium | Dummy plate colour: aluminium painted similar to RAL colour 9005 (black) | Angle between sides: 90° | Without additional profile

ORDER DETAILS

01 - Type

EW = corner angle for slot diffuser

02 - Diffuser

26 = for COMBIDSC

03 - Model

2 = 2-slot (1 for supply air / 1 for return air)

4 = 4-slot (2 for supply air / 2 for return air)

04 - Frame profile

R0 = Frame profile STANDARD

S0 = Narrow frame profile

P0 = Special frame profile

05 - Frame surface

ELOX = Natural colour anodised aluminium (standard)

9006 = Aluminium painted to RAL colour 9006 (white aluminium)

9010 = Aluminium painted to RAL colour 9010 (white)

xxxx = Aluminium painted to another RAL colour, at an extra charge (freely selectable, always with 4 digits)

06 - Dummy profile colour

B9005 = aluminium painted similar to RAL colour 9005 (black) (standard)

9006 = aluminium painted similar to RAL colour 9006 (white aluminium)

B9010 = aluminium painted similar to RAL colour 9010 (white)

Bxxxx = painted aluminium, RAL colour can be freely selected

07 - Angle between sides

090 = 90° (standard)

xxx = angle as required (a value between 90° [090] and 170° [170] is possible).

08 - Additional profile

Z0 = without additional profile (standard)

SPECIFICATION TEXT

Combination slot diffuser for supply and return air suitable for wall or ceiling mounting. Highly inductive slot diffuser on the supply air side, free cross-section, resistance and sound power level constant in all blade positions.

Supply air element with pivoting air deflection blades. Return air element without blades, with perforated plate made of sheet steel painted to RAL 9005 (black).

Product: SCHAKO type **COMBIDSC-...-ZA-...**

Model (number of slots):

- 2-slot (1 for supply air / 1 for return air) (-2)
- 4-slot (2 for supply air / 2 for return air) (-4)

Frame made of extruded aluminium profile, consisting of:

- **Frame profile:**
 - Standard frame profile (-R0)
 - Narrow frame profile (-S0)
 - Special frame profile (-P0)
- **Frame surface:**
 - Natural colour anodised (standard, -ELOX)
 - Painted to RAL 9006 (white aluminium, -9006)
 - Painted to RAL 9010 (white, -9010)
 - Painted to a different RAL colour (-xxxx)

Blade colour:

Supply air element with pivoting **air deflection blades** in support profile shape made of plastic material (hard PVC). Return air element with painted perforated plate:

- Blade colour similar to RAL 9005 (black) / perforated plate painted to RAL 9005 (black) (-L9005) (standard).
- Blade colour similar to RAL 9006 (white aluminium) / perforated plate painted to RAL 9006 (white aluminium) (-L9006).
- Blade colour similar to RAL 9010 (white) / perforated plate painted to RAL 9010 (white) (-L9010).
- Blade RAL colour can be freely selected / perforated plate in the same colour (-Lxxxx).

Blade position for air jet:

- Blades with vertical throw (-V).
- Blades with horizontal one-way throw (-S).

Length / Model:

Single design (-N)

- 1000 mm (length of box KL = 1040 mm) (-N-01000).
- 1500 mm (length of box KL = 1540 mm) (-N-01500).
- Length in mm, can be freely selected (-N-xxxxx, always with 5 digits).

Band design (-B)

- Length in mm, as band (-B-xxxxx).
Available lengths according to SCHAKO standard for band design. With connecting pins, supplied loose (2 for each connection)

Depending on use, the combination slot diffuser COMBIDSC is only available with plenum box or dummy piece.

Mounting:

- Permanent connection (-FV, standard).
 - Only possible with plenum box.
 - Standard for the models COMBIDSC-R0 / COMBIDSC-S0 and COMBIDSC-P0.
 - The slot diffuser is permanently connected to the plenum box.
- Concealed mounting (-VM)
 - Only possible with plenum box.
 - Possible for the models COMBIDSC-R0 / COMBIDSC-P0 and COMBIDSC-S0-Z2 (with additional profile).
 - Not possible for the models COMBIDSC-S0-Z0 / COMBIDSC-S0-Z1 / -Z3.
 - The slot diffuser is screwed to the pole brace in the plenum box housing with concealed screws.
- Clamp strap (-KB, standard)
 - **Only possible for the model with dummy piece (-BS1) and without plenum box.**
 - Screws and clamp straps are supplied loose.
 - Possible for the models COMBIDSC-R0 / COMBIDSC-P0 and COMBIDSC-S0-Z2 (with additional profile).
 - Not possible for the models COMBIDSC-S0-Z0 / COMBIDSC-S0-Z1 / -Z3.
- The slot diffuser is screwed to the clamp strap with concealed screws (included in delivery).
 - **For mounting, access on the rear is not required!**
- Mounting with counter pole brace (-GT)
 - **Only possible for the model with dummy piece (-BS1) and without plenum box.**
 - Screws and clamp straps are supplied loose.
 - Possible for the models COMBIDSC-R0 / COMBIDSC-P0 and COMBIDSC-S0-Z2 (with additional profile).
 - Not possible for the models COMBIDSC-S0-Z0 / COMBIDSC-S0-Z1 / -Z3.
 - The slot diffuser is screwed to the counter pole brace (pole brace strap) with concealed screws (included in delivery).
 - **For mounting, access on the rear is required!**

Accessories:

- End pieces made of aluminium (same colour as frame).
 - Supplied loose (-ES, pair) (standard).
 - Mounted ex works on both sides (-EB).
 - Mounted ex works on the left side (-EL).
 - Mounted ex works on the right side (-ER).
 - Without end piece (-E0).
- Additional profile made of aluminium (same colour as frame), only possible for COMBIDSC-S0:
 - Z I (-Z1): connection of ceiling panels.
 - Z II (-Z2): connection of panelled ceilings.
 - Z III (-Z3): connection of ceiling panels.
 - Without additional profile (-Z0).
- Dummy piece (only possible without plenum box), mounting only possible with (-KB, standard) or counter pole brace (-GT).
 - Made of sheet steel painted to RAL 9005 (black) (-BS1).
 - Without dummy piece (-BS0, only possible in connection with plenum box).

- Plenum box (-ASK-26), made of galvanised sheet steel (-SV), with fixing lugs, without riveting nut (-E0, standard) or with riveting nut (-EM).
 - Model (number of slots):
 - 2-slot (1 for supply air / 1 for return air) (-2)
 - 4-slot (2 for supply air / 2 for return air) (-4)
 - Single / band design:
 - Single length (-N, length of plenum box max. 1500 mm)
 - Band design (-B, available lengths according to SCHAKO standard for band design)
 - Length:
 - 1000 mm (-01000)
 - 1500 mm (-01500)
 - Length in mm, can be freely selected (-xxxxx, always with 5 digits)
 - Mounting of box:
 - Permanent connection (-FV) (standard).
 - Concealed mounting (-VM) (only possible for the models COMBIDSC-R0 and for COMBIDSC-P0 and COMBIDSC-S0-Z2).
 - Material:
 - Galvanised sheet steel (-SV) (standard).
 - Damper:
 - Without damper (-DK0) (standard).
 - With damper made of galvanised sheet steel, adjustable, for simple air volume regulation:
 - In the plenum box housing (with lateral spigot position S1 and S2) (-DK1).
 - In the connection spigot, with cable-operated adjustment (with spigot position from above S0) (-DK2).
 - Rubber lip seal:
 - Without rubber lip seal (-GD0)
 - With rubber lip seal (-GD1) made of special rubber, at the connection spigot.
 - Insulation:
 - Without insulation (-I0)
 - With box insulation inside (-Ii), thermal insulation at the inside of the plenum box.
 - With box insulation outside (-Ia), thermal insulation at the outside of the plenum box.
 - Height of plenum box:
 - Standard height of plenum box (-KHS)
 - Height of plenum box in mm, freely selectable (-xxx) (minimum height = spigot diameter + 47 mm, always with 3 digits)
 - Box neck:
 - Standard box neck (-KVS)
 - Box neck in mm, freely selectable (-xxx) (minimum height = 45 - 200 mm, always with 3 digits)
 - Spigot position:
 - Spigot from above (-S0).
 - Lateral spigots on both sides (-S1) (standard).
 - Lateral spigot on one side (-S2).
 - Spigot diameter:
 - Standard spigot diameter (-SDS).
 - Spigot diameter in mm, freely selectable (-xxx, always with 3 digits).
 - Suspension:
 - Without riveting nut (-E0).
 - With riveting nut (-EM), made of brass.
- Corner angles (-EW-26), frame and dummy profile made of extruded aluminium profile. With 4 fishplates (-VL, included in delivery) made of aluminium (same colour as frame), supplied loose.
 - Model (number of slots):
 - 2-slot (1 for supply air / 1 for return air) (-2)
 - 4-slot (2 for supply air / 2 for return air) (-4)
 - Frame profile:
 - Standard frame profile (-R0)
 - Narrow frame profile (-S0)
 - Special frame profile (-P0)
 - Frame surface:
 - Natural colour anodised aluminium (standard, -ELOX)
 - Aluminium painted to
 - RAL 9006 (white aluminium, -9006)
 - RAL 9010 (white, -9010)
 - Painted to a different RAL colour (-xxxx)
 - Dummy profile colour: made of painted aluminium
 - Similar to RAL 9005 (black) (-B9005) (standard).
 - Similar to RAL 9006 (white aluminium) (-B9005).
 - Similar to RAL 9010 (white) (-B9010).
 - RAL colour can be freely selected (Bxxxx).
 - Angle between sides:
 - 90° (-090).
 - Angle as required (-xxx), values between $\alpha = 90^\circ$ (-090, standard) and 170° (-170) are possible.
 - Left-side length (a):
 - Standard length L=250 for 2-slot models / L=400 for 4-slot models
 - Right-side length (b):
 - Standard length L=250 for 2-slot models / L=400 for 4-slot models
 - Additional profile:
 - Without additional profile (-Z0) (standard).