

BKA-EN

Fire damper

Fig.: BKA-EN with X14 actuator + accessories

USABILITY CERTIFICATES

- **Declaration of Performance**
DoP-BKA-EN-2021-06-01

PERFORMANCE DATA

- For automatic locking of fire lobbies

CLASSIFICATION AND STANDARDS

- **Classification**
according to EN 13501-3, depending on the mounting situation EI 90 ($v_e, h_o \leftrightarrow o$) S
- **Product standard**
EN 15650
- **Test standard**
EN 1366-2

SPECIAL FEATURES

- ATEX version (at an extra charge)
- Extensive uses and applications
- Large free cross-sections



TABLE OF CONTENTS

Table of Contents.....	2
General conditions.....	3
Description.....	4
Models and dimensions.....	5
Type plate	10
Order code.....	11
Certificate of conformity.....	13
Foreign branch offices	15
List of figures/tables	16

GENERAL CONDITIONS

GENERAL DESCRIPTION AND INSTRUCTIONS



These additional operating instructions must be observed prior to mounting and commissioning the device.

These additional operating instructions contain basic information regarding its use in areas subject to explosion hazards to be observed during assembly, operation and functional check.

Prior to mounting and commissioning and during functional check, the present additional operating instructions must be read by the installer and the responsible skilled person/system operator!

The non-observance of the proper assembly and safety instructions will result in the loss of any claims for damages!

PERSONNEL QUALIFICATION AND TRAINING

The personnel for assembly, inspection and functional check must have the relevant qualification for this work. The area of responsibility, competence and monitoring of the personnel must be exactly regulated by the system operator. If the personnel does not have the required knowledge, it must be trained and instructed. Moreover, the system operator must ensure that the contents of the additional operating instructions are completely understood and adhered to by the personnel.

SAFETY-CONSCIOUS WORK

The safety instructions given in these additional operating instructions, the existing national and international regulations on explosion protection, accident prevention and the system operator's internal work, operating and safety regulations must be observed.

DESIGNATED USE

The devices have been designed for use in ventilation systems in areas subject to explosion hazards according to the ATEX marking "Device group II, Zones 1, 2 and 21, 22.

These devices are not suitable for use in unreleased Ex zones.

The operating safety of the delivered devices is only guaranteed when used in accordance with their designated use. The fire damper shall only be used for media that do not exceed a temperature of 72°C.

DELIVERY AND STORAGE

Upon receipt, the devices must be checked for completeness and transport damage. If the device was delivered incompletely or damaged, the forwarding company and the SCHAKO KG have to be informed immediately.

The fire dampers must not be exposed directly to weather, solar radiation and moisture (see also "General information").

MOUNTING INFORMATION

Mounting, electrical connection work and commissioning must be carried out by skilled personnel only and in accordance with the recognised technical rules and the safety and accident prevention regulations. In order to avoid the risk of static charges, the fire damper must be connected to the on-site equipotential bonding on the grounding connection provided for this purpose.

FUNCTIONAL TEST

Only a device subjected to proper check and kept in perfect condition can guarantee safe and reliable operation.

When defective parts are replaced with spare parts, only SCHAKO KG original spare parts may be used. The SCHAKO KG cannot be held liable for any damage caused by using spare parts that are not original and will not give any warranty.

HAZARD CAUSED BY NON-OBSERVANCE OF THE SAFETY INSTRUCTIONS

Non-observance of the safety instructions can result both in putting persons and the environment and operating units at risk.

Likewise, non-observance of the safety instructions will result in the loss of any claims for damages.

DESCRIPTION

Fire dampers, installed in ventilation ducts (air conditioning systems), serve for the automatic locking of fire lobbies. The fire damper BKA-EN conforms to EN 15650, EN 13501-3 and EN 1366-2. The BKA-EN has been tested according to EN 1366-2 in compliance with Declaration of Performance No. DoP-BKA-EN-2021-06-01. Its classification according to EN 13501-3 is EI 30 (v_e, i↔o) S to EI 90 (v_e, h_o, i↔o) S.

According to Directive 2014/34/EU, EC Certificate of Conformity Number EPS 09 ATEX 2 153 X, its use in areas subject to explosion hazards is permitted, not only with spring return actuator ExMax-5.10-BF (X14/X15), including safety temperature limiter (ExPro-TT), but also with mechanical release via fusible link (manual actuation with or without ATEX limit switch ES-Ex). The fire damper is marked as follows according to ATEX:



II 2 G Ex h IIC T6 Gb
II 2 D Ex h IIIC T80°C Db
EPS 09 ATEX 2 153 X

The national standards and guidelines must be observed in connection with these additional operating instructions.

For functional test, service, retrofitting, etc., inspection openings must be provided on site in suspended ceilings, shaft walls, connected ventilation ducts etc., if necessary. They must be built in in sufficient numbers and sizes and must not impair the functioning of the fire dampers.

The fire dampers must be connected to the ventilation system by means of ventilation ducts either on one or on both sides. When connected on one side, security grille made of non-flammable building materials (EN13501-1) must be provided on the opposite side. The fire dampers can be connected to non-flammable and flammable ventilation ducts as well as to flexible spigots.

The fire damper complies with the regulations of the ATEX directives and may be used in supply and return air installations of ventilation systems in areas subject to explosion hazards.

The fire damper is certified for device group II, Zones 1, 2 and 21, 22.

Zones 1 and 2 represent the application range containing gases/vapours, while Zones 21 and 22 represent the application range containing dusts.

Classification by zone must be established by the system operator or planner in compliance with current standards.

Note:

In explosion-protected zones, only devices that have an ATEX approval for this use may be used.

SPECIAL CONDITIONS

The attached and installed electrical devices must have a suitable explosion-proof design.

It must be ensured that all metal components are properly and permanently connected to the ground potential.

TYPE OF IGNITION PROTECTION

The type of ignition protection of the fire dampers is guaranteed by their safe design.

QUALITY ASSURANCE

The SCHAKO production facilities are certified according to the QM procedure EN ISO 9001.

To ensure that the defined product features are adhered to during the production, a factory production control is carried out at regular intervals. In addition, a notified body carries out an external audit once a year.

MODELS AND DIMENSIONS

Dimensions

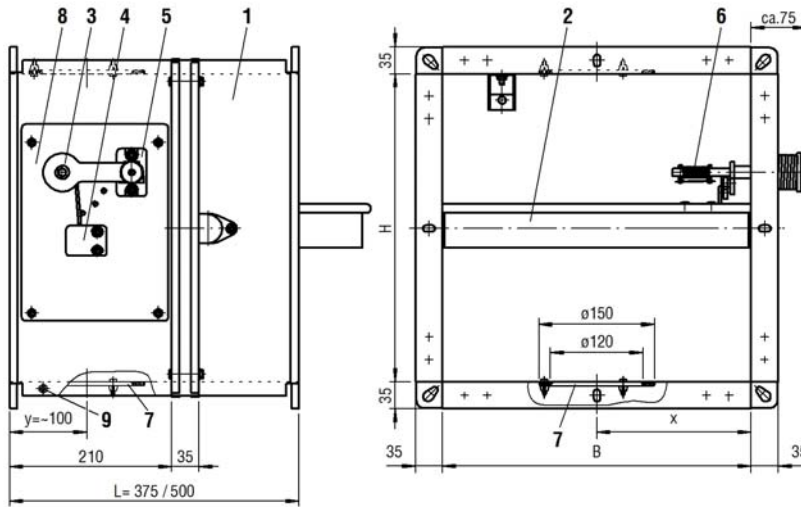


Figure 1: Dimensions BKA-EN

Available sizes [mm]

B	H
200	200
225	225
250	250
275	275
300	300
325	325
350	350
375	375
400	400
450	450
500	500
550	550
600	600
650	650
700	700
750	750
800	800
900	
1000	
1100	
1200	
1300	
1400	
1500	

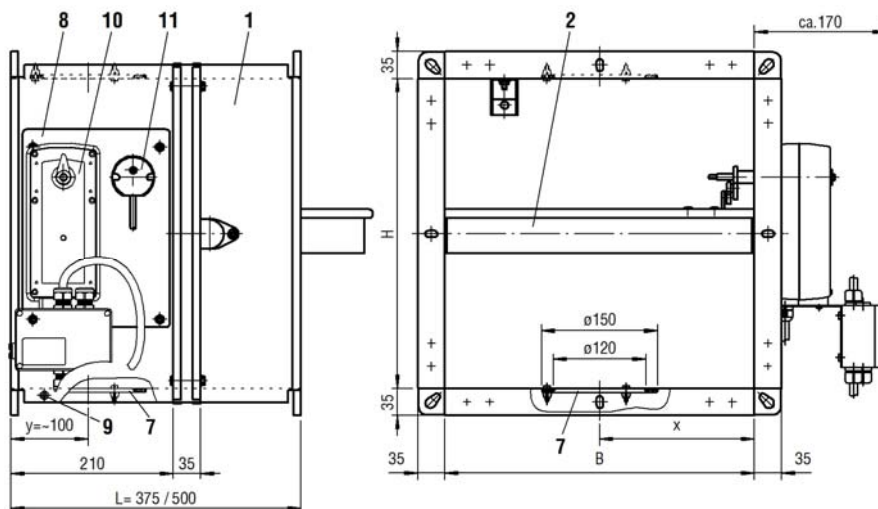


Figure 2: Dimensions of BKA-EN with actuator
 Ex-Max-5.10-BF (X14/X15)

- 1 Fire damper BKA-EN
- 2 Damper blade
- 3 Hand lever
- 4 Locking profile
- 5 Release device
- 6 Fusible link
- 7 Inspection openings on opposite sides
 - $B < 800 \rightarrow x = B/2$
 - $B \geq 800 \rightarrow x \sim 260\text{mm}$
 - $y \sim 100\text{mm}$ from the connection flange
- 8 Actuator unit
- 9 Earthing connection
- 10 Actuator ExMax-5.10-BF (X14/X15)
- 11 Safety temperature limiter

- Housing length $L = 375$ or **500** mm (standard).
- All width and height dimensions can be combined.
- Trigger device always on H side.
- Inspection openings always on B side.
- On request, the width and height dimensions (B, H) are available in steps of 10 mm.

Table 1: Available sizes [mm]

Weight table [kg]

BKA-EN with mechanical-thermal release
 (manual release)
 (added weight for actuator ExMax-5.10-BF (X14/X15) max.
 approx. 4.5 kg)

		Breite																							
		200	225	250	275	300	325	350	375	400	450	500	550	600	650	700	750	800	900	1000	1100	1200	1300	1400	1500
Höhe	200	10	11	11	12	12	12	13	13	14	15	16	17	18	19	20	21	22	24	26	28	29	31	33	35
	225	11	11	12	12	13	13	14	14	15	16	17	18	19	20	21	22	23	25	27	29	31	33	35	37
	250	11	12	12	13	13	14	14	15	15	16	17	18	20	21	22	23	24	26	28	30	32	35	37	39
	275	11	12	13	13	14	14	15	15	16	17	18	19	20	22	23	24	25	27	29	32	34	36	38	41
	300	12	13	13	14	14	15	15	16	17	18	19	20	21	23	24	25	26	28	31	33	35	38	40	42
	325	12	13	14	14	15	15	16	17	17	19	20	21	22	23	25	26	27	30	32	34	37	39	42	44
	350	13	14	14	15	15	16	17	17	18	19	21	22	23	24	26	27	28	31	33	36	38	41	43	46
	375	13	14	15	15	16	17	17	18	19	20	21	23	24	25	27	28	29	32	35	37	40	42	45	48
	400	14	14	15	16	17	17	18	19	19	21	22	24	25	26	28	29	30	33	36	39	41	44	47	50
	450	15	15	16	17	18	19	20	20	21	23	24	26	27	28	30	31	33	36	39	42	45	48	50	53
	500	16	16	17	19	19	20	21	22	22	24	26	27	29	30	32	33	35	38	41	44	48	51	54	57
	550	17	18	18	20	20	21	22	23	24	25	27	29	30	32	34	35	37	41	44	47	50	54	57	60
	600	18	19	19	21	22	23	23	24	25	27	29	30	32	34	36	38	39	43	46	50	53	57	61	64
	650	19	20	20	22	23	24	25	26	27	28	30	32	34	36	38	40	41	45	49	53	56	60	64	68
	700	20	21	21	23	24	25	26	27	28	29	31	33	35	38	40	42	44	48	51	55	59	63	67	71
	750	21	22	23	24	25	26	27	28	29	31	33	35	38	40	42	44	46	50	54	58	62	66	71	75
800	22	23	24	25	26	27	28	30	31	33	35	37	39	41	44	46	48	52	57	61	65	70	74	78	

Table 2: Weight table [kg] BKA-EN L=375

		Breite																							
		200	225	250	275	300	325	350	375	400	450	500	550	600	650	700	750	800	900	1000	1100	1200	1300	1400	1500
Höhe	200	12	13	14	14	15	15	16	16	17	18	19	20	21	23	24	25	26	28	31	33	35	37	40	42
	225	13	14	14	15	15	16	17	17	18	19	20	21	22	24	25	26	27	30	32	34	37	39	41	44
	250	14	14	15	15	16	17	17	18	18	20	21	22	23	25	26	27	28	31	33	36	38	41	43	46
	275	14	15	15	16	17	17	18	19	19	21	22	23	24	26	27	28	29	32	35	37	40	42	45	47
	300	15	15	16	17	17	18	19	19	20	21	23	24	25	27	28	29	31	33	36	39	41	44	47	49
	325	15	16	17	17	18	19	19	20	21	22	23	25	26	28	29	30	32	35	37	40	43	46	48	51
	350	16	16	17	18	19	19	20	21	21	23	24	26	27	29	30	32	33	36	39	42	44	47	50	53
	375	16	17	18	19	19	20	21	21	22	24	25	27	28	30	31	33	34	37	40	43	46	49	52	55
	400	17	17	18	19	20	21	21	22	23	25	26	28	29	31	32	34	35	38	41	44	48	51	54	57
	450	18	19	19	21	22	22	23	24	25	27	28	30	31	33	35	36	38	41	44	48	51	54	57	61
	500	19	20	21	22	23	24	25	25	26	28	30	32	33	35	37	38	40	44	47	51	54	58	61	64
	550	20	21	22	23	24	25	26	27	28	30	32	33	35	37	39	41	43	46	50	53	57	61	64	68
	600	21	22	23	25	26	26	27	28	29	31	33	35	37	39	41	43	45	49	53	56	60	64	68	72
	650	22	23	24	26	27	28	29	30	31	33	35	37	39	41	43	45	47	51	55	59	63	67	71	76
	700	23	24	25	27	28	29	30	31	32	35	37	39	41	43	45	47	49	54	58	62	66	71	75	79
	750	25	26	27	28	29	31	32	33	34	36	38	41	43	45	47	49	52	56	61	65	70	74	78	83
800	26	27	28	30	31	32	33	34	35	38	40	42	45	47	49	52	54	59	63	68	73	77	82	87	

Table 3: Weight table [kg] BKA-EN L=500

Electric spring return actuator ExMax-5.10-BF (X14/X15)

ExMax-5.10-BF (X14/X15)

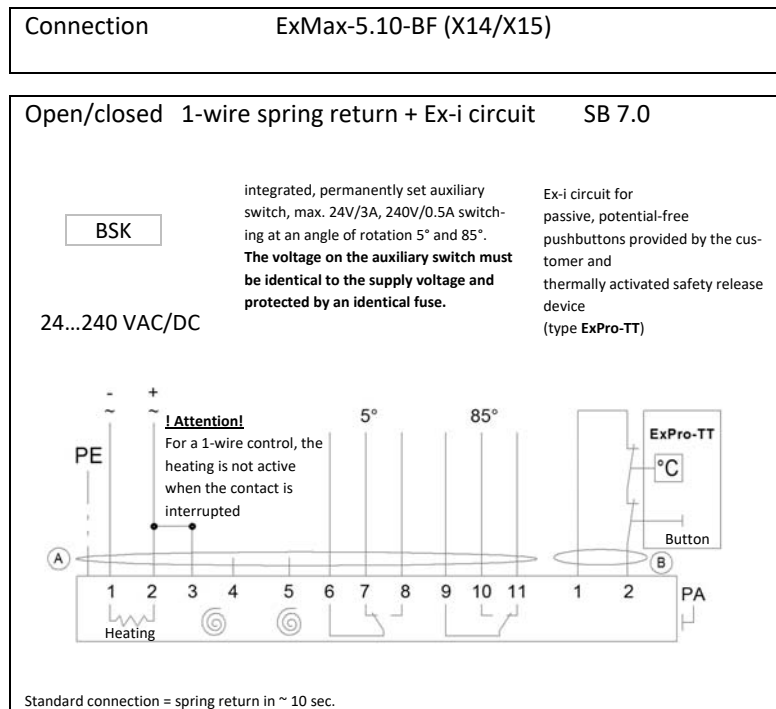


Figure 3: Circuit diagram actuator ExMax-5.10-BF (X14/X15)

Electric explosion-protected spring return actuators with safety temperature limiter (ExPro-TT).

- Release temperatures 72 °C.
- Operating position (damper "OPEN") and tensioning of the return spring by applying the supply voltage (universal power supply 24 - 240 VAC/DC)
- Safety position (damper "CLOSED") through spring force when supply voltage is interrupted or the temperature fuses (room temperature or internal duct temperature) respond. A response of the thermal fuses will interrupt the sensor circuit permanently and irrevocably.
- End position signalling by integrated auxiliary switches, switching at an angle of rotation of 5° and 85°.
- An on-site functional check is possible by means of the control key of of the safety temperature limiter

Attention!

Safety function is only guaranteed if the actuator has been connected to the supply voltage in accordance with regulations.


Technical data actuator ExMax-5.10-BF (X14/X15)

Power supply	24...240 V AC/DC, ± 10% each, self adaptable	
Frequency	50...60 Hz ± 20%	
Power consumption		
	Holding	max. 20 W
	Heating capacity	approx. 16 W
	Current on making	approx. 2.0 A at 24 V for approx. 1 sec.
Running time	Motor	30s
	Spring return	10s
Auxiliary switch	2 integrated, permanently set, potential-free auxiliary switches with changeover contact	
	Switching voltage	24 V DC / 230 V AC
	Switch voltage	0.5 mA - 3 A
	Switching points	Angles of rotation: 5° / 85°
Protection class	I (earthed)	
Protection type according to DIN 60529	IP66	
Tested according to EMC	2004/108/EC	
Safety tested	2006/95/EC	
Ambient temperature (operation)	-40 ... +40°C	
Ambient humidity	≤ 95%, non-condensing	

Table 4: Technical data actuator ExMax-5.10-BF (X14/X15)

Limit switch type ES-Ex

Limit switch for application in areas subject to explosion hazards

 II 2G Ex d IIC T6/T5 Gb,

 II 2D Ex tb IIIC T 80°C/ 95°C Db

IP65; 250V / 6A AC15; 230V / 0.25A DC13; $-20^{\circ}\text{C} \leq T_a \leq +65^{\circ}\text{C}$

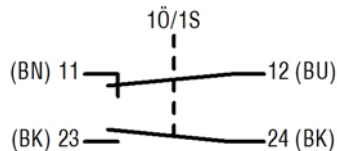


Figure 4: Circuit diagram limit switch type ES-Ex

Damper positions that can be displayed:

EXZ (type ES-Ex-Z: "CLOSED")

EXA (type ES-Ex-A: "OPEN")

EX2 (type ES-Ex-2: "OPEN" and "CLOSED")

General information

- During mounting or installation, there is a risk of injuries. To avoid any possible injuries, personal protective equipment (PPE) must be worn.
- Fire dampers must be installed such that external forces do not impair their permanent functioning.
- Ventilation ducts must not exert significant forces on walls, supports or ceilings and thus also on fire dampers as a result of thermal expansion (in case of fire). Appropriate compensation measures, such as the arrangement of flexible spigots (SCHAKO type FS) or a suitable duct routing (duct angles and distortions), must be taken as required. National regulations must be observed and implemented
- Prior to installing the fire damper, the possible connections of the ventilation ducts must be checked. Extension parts (on site or as accessories SCHAKO type VT) might be necessary, e.g. for large wall and ceiling thicknesses. When connecting duct components, a fastening type must be selected that causes no damage to the fire damper or its accessories.
- During mounting it may be required to provide reinforcements for the housing or the like.
- The requirement of statically load-bearing lintels may have to be taken into consideration.
- If a fire damper is not filled with mortar on all four sides, installation and mounting aids on site must be removed.
- Improper transport/handling may result in damage/functional impairment. In addition to that, the film of the transport packaging must be removed and the delivery inspected for completeness.
- In storage, fire dampers must be protected from dust, dirt, moisture and the effects of temperature (e.g. direct sunlight, heat-emitting light source, etc.). They must not be exposed to direct effects of the weather and must not be stored below -20°C or above 50°C .
- The fire damper must be protected from dirt and damage. After installation is complete, any dirt must be removed immediately.
- Enough space must be provided for installation, mortar lining, etc.
- Carry out a functional check of the fire damper before and after mounting and ensure ready access.
- Electrical installations or work on electrical components may only be carried out by skilled electricians. The supply voltage must be switched off when performing this work and secured against being switched on again.
- We would like to point out that only suitable cleaning materials may be used for cleaning fire dampers in stainless steel design!

Information regarding assembly and commissioning

Prior to being installed in the ventilation system, the fire damper must be checked for damage. Damaged fire dampers must not be installed.

The device may only be used in accordance with its designated use in air ventilation systems for supply air and return air.

Use only approved fastening material for mounting.

No additional parts may be fastened to the fire damper.

The fire damper must be connected to the ventilation duct network on both sides in electrically conducting fashion.

In order to avoid the risk of static charges, the fire damper must be connected to the on-site equipotential bonding on the grounding connection provided for this purpose.

Make sure that the ventilation systems are not subjected to any anomalous operating conditions, such as vibrations, pressure surges or high proportions of solids in the medium.

Information regarding functional check and inspection

Proper functional check increases operational safety and the service life of the device. This is why the devices should be subjected to regular inspection.

If inspection dates are prescribed by law, they must be complied with.

The operating personnel must be informed, prior to starting functional check and inspection work.

The personal safety measures must be looked up in the safety data sheet. Hazard caused by contact or inhaling hazardous substances must be excluded by taking appropriate safety measures.

Prior to functional check or inspection, all system components up- and downstream of the device must be switched off and secured against being switched on again.

The following inspection criteria must be observed:

- Visual inspection of the device
- Check the fastening of the device
- Check the electrical connections
- Check the grounding connection for tight fit and good contact
- Functional control
- For additional inspections, please refer to the technical documentation or additional instructions for functional check

Use and electrical connection of actuators in areas subject to explosion hazards

Only ATEX-approved electrical equipment according to ATEX Directive 2014/34/EU for the zones 1, 2, 21, 22, such as actuators, terminal boxes and thermocouples according to our specifications may be used for SCHAKO KG devices.

The connection lines must be installed for permanent use and in such a way that they are sufficiently protected from mechanical and thermal damage.

Devices with explosion-protected actuators and terminal boxes have to be attached over the external potential connecting terminal to the potential equalisation provided by the customer with at least 4 mm² copper solid-core.

The electrical connection lines of the actuators must be connected in a terminal box according to ATEX Directive 2014/34/EU for the zones 1, 2, 21, 22, if the electrical connection is made in an explosive area.

The dimensioning of the conductor cross-sections must be observed.

The actuators are maintenance-free with respect to their function, but the test specifications according to ATEX directives or factory regulations must be observed.

TYPE PLATE



Brandschutzklappe BKA-EN,

Baugröße

Baujahr

Auftragsnummer

Positionsnummer

Seriennummer

 II 2G Ex h IIC T6 Gb
II 2D Ex h IIIC T80°C Db

 EPS 09 ATEX 2 153X

Figure 5: BKA-EN type plate

ORDER CODE

01	02	03	04	05	06
Type	Width	Height	Length	Material (housing)	Coating (housing)
Example					
BKAEN	-1500	-800	-375	-V4	-1

07	08	09	10	11
Damper blade version	Release temperature	Actuator type	Accessories	Additional frame
-2	-72	-X15	-KK2	-R18

EXAMPLE

BKAEN-1500-800-375-V4-1-2-72-X15-KK2-R18

Type **BKAEN** = fire damper BKA-EN | Width = **1500** mm | Height = **800** mm | Length = **375** mm | Material (housing) **V4** = stainless steel material no. 1.4571 (V4A) | Coating (housing) **1** = DD coating inside | Damper blade version **2** = coated with DD paint | Release temperature **72** = 72 °C | Actuator type **X15** = type ExMax-5.10-BF (housing V4A) | Accessories **KK2** = terminal box (V4A) with mounting console | Additional frame **R18** = installation kit GDA (for solid wall; only for L=375)

ORDER DETAILS

01 - TYPE

BKAEN = BKA-EN

02 - WIDTH

0200 - 0225 - 0250 - 0275 - 0300 - 0325 - 0350 - 0375 - 0400 - 0450 - 0500 - 0550 - 0600 - 0650 - 0700 - 0750 - 0800 - 0900 - 1000 - 1100 - 1200 - 1300 - 1400 - 1500
 in mm - always four digits

03 - HEIGHT

200 - 225 - 250 - 275 - 300 - 325 - 350 - 375 - 400 - 450 - 500 - 550 - 600 - 650 - 700 - 750 - 800
 in mm - always three digits

04 - LENGTH

500 or 375
 in mm - always three digits

05 - MATERIAL (HOUSING)

SV = Galvanised sheet steel
 V2 = Stainless steel material no. 1.4301 (V2A)
 V4 = Stainless steel material no. 1.4571 (V4A)

06 - COATING (HOUSING)

0 = Without paint
 1 = DD coating, inside (RAL7035)
 3 = DD coating inside and outside (RAL7035)

07 - DAMPER BLADE VERSION

0 = Without coating
 2 = DD coating
 4 = covered with galvanised sheet steel
 6 = covered with galvanised sheet steel + DD coating

08 - RELEASE TEMPERATURE

72 = 72°C

09 - ACTUATOR TYPE

HAX = thermo-mechanical manual release *
 X14 = ExMax-5.10-BF + safety temp. limiter (ExPro-TT) 72 °C *
 X15 = ExMax-5.10-BF (housing made of stainless steel V4A) + safety temp. (ExPro-TT) 72 °C *

* suitable for all dimension combinations

10 - ACCESSORIES

Z00 = without accessories
 EXZ = ES-Ex-Z (limit switch Closed; suitable for HAX)
 EXA = ES-Ex-A (limit switch Open; suitable for HAX)
 EX2 = ES-Ex-2 (limit switch Open/Closed; suitable for HAX)
 KK1 = terminal box with mounting console;
 suitable for X14
 KK2 = terminal box with mounting console
 (housing made of stainless steel V4A); suitable for X15

11 – ADDITIONAL FRAME

R00 = without additional frame

R01 = mounting kit AS-E1 (only for L=375) ¹⁾

R08 = installation kit GDL (only for L=375; for metal post profiles CW50/UW50, single post structure) ¹⁾

R09 = installation kit GDL (only for L=375; for metal post profiles CW75/UW75, single post structure) ¹⁾

R10 = installation kit GDL (only for L=375; for metal post profiles CW100/UW100, single post structure) ¹⁾

R11 = installation kit GDL (only for L=375; for metal post profiles CW125/UW125, single post structure) ¹⁾

BKA-EN ex works rotated by 180°

R12 = installation kit GDL (only for L=375; for metal post profiles CW50/UW50, single post structure) ¹⁾

R13 = installation kit GDL (only for L=375; for metal post profiles CW75/UW75, single post structure) ¹⁾

R14 = installation kit GDL (only for L=375; for metal post profiles CW100/UW100, single post structure) ¹⁾

R15 = installation kit GDL (only for L=375; for metal post profiles CW125/UW125, single post structure) ¹⁾

R16 = installation frame ER-A1 ¹⁾

R17 = installation frame ER-A1 ¹⁾

R18 = GDA installation kit (only for L=375) ¹⁾

R51 = mounting kit AS-E1 (only for L=375) + DD coating ¹⁾

R58 = installation kit GDL (only for L=375; for metal post profiles CW50/UW50, single post structure) + DD coating ¹⁾

R59 = installation kit GDL (only for L=375; for metal post profiles CW75/UW75, single post structure) + DD coating ¹⁾

R60 = installation kit GDL (only for L=375; for metal post profiles CW100/UW100, single post structure) + DD coating ¹⁾

R61 = installation kit GDL (only for L=375; for metal post profiles CW125/UW125, single post structure) + DD coating ¹⁾

BKA-EN ex works rotated by 180°

R62 = installation kit GDL (only for L=375; for metal post profiles CW50/UW50, single post structure) + DD coating ¹⁾

R63 = installation kit GDL (only for L=375; for metal post profiles CW75/UW75, single post structure) + DD coating ¹⁾

R64 = installation kit GDL (only for L=375; for metal post profiles CW100/UW100, single post structure) + DD coating ¹⁾

R65 = installation kit GDL (only for L=375; for metal post profiles CW125/UW125, single post structure) + DD coating ¹⁾

R66 = installation frame ER-A1 + DD coating ¹⁾

R67 = installation frame ER-A1 + DD coating ¹⁾

R68 = GDA installation kit (only for L=375) + DD coating ¹⁾

¹⁾ Additional frame supplied loose

¹⁾ Additional frame mounted ex works

CERTIFICATE OF CONFORMITY





Konformitätsbescheinigung

- (1)
- (2) Geräte und Schutzsysteme zur bestimmungsgemäßen Verwendung in explosionsgefährdeten Bereichen –
 Richtlinie 2014/34/EU
- (3) Bescheinigungsnummer

EPS 09 ATEX 2 153 X **Revision 3**
- (4) Gerät: Brandschutzklappen BKA-EN, BSK-RPR
- (5) Hersteller: Schako KG
- (6) Anschrift: Steigstraße 25-27
 78600 Kolbingen
 Deutschland
- (7) Die Bauart dieses Gerätes sowie die verschiedenen zulässigen Ausführungen sind in der Anlage zu dieser Konformitätsbescheinigung festgelegt.
- (8) Bureau Veritas Consumer Products Services Germany GmbH bescheinigt aufgrund einer freiwilligen Prüfung auf Basis der Richtlinie 2014/34/EU des Europäischen Parlaments und des Rates vom 26. Februar 2014 die Erfüllung der grundlegenden Sicherheits- und Gesundheitsanforderungen für die Konzeption und den Bau von Geräten und Schutzsystemen zur bestimmungsgemäßen Verwendung in explosionsgefährdeten Bereichen gemäß Anhang II der Richtlinie. Die Ergebnisse der Prüfung sind in der vertraulichen Dokumentation unter der Referenznummer 09TH0026 festgelegt.
- (9) Die grundlegenden Sicherheits- und Gesundheitsanforderungen werden erfüllt durch Übereinstimmung mit:

EN ISO 80079-36:2016 **EN ISO 80079-37:2016**
- (10) Falls das Zeichen „X“ hinter der Bescheinigungsnummer steht, wird auf besondere Bedingungen für die sichere Anwendung des Gerätes in der Anlage zu dieser Bescheinigung hingewiesen.
- (11) Diese Konformitätsbescheinigung bezieht sich nur auf Konzeption und Prüfung des festgelegten Gerätes gemäß Richtlinie 2014/34/EU. Weitere Anforderungen dieser Richtlinie gelten für die Herstellung und das Inverkehrbringen dieses Gerätes. Diese Anforderungen werden nicht durch diese Bescheinigung abgedeckt.
- (12) Die Kennzeichnung des Gerätes muss die folgenden Angaben enthalten:

 II 2G Ex h IIC T6 Gb
 II 2D Ex h IIIC T80°C Db



Hamburg, 31.03.2020

Seite 1 von 2

Bescheinigungen ohne Unterschrift und Siegel haben keine Gültigkeit. Diese Bescheinigung darf nur unverändert weiterverbreitet werden. Auszüge oder Änderungen bedürfen der Genehmigung von Bureau Veritas Consumer Products Services Germany GmbH. EPS 09 ATEX 2 153 X, Revision 3.



(13) **Anlage**

(14) **Konformitätsbescheinigung EPS 09 ATEX 2 153 X**

Revision 3

(15) Beschreibung des Gerätes:

Die Brandschutzklappen Typ BKA-EN und BSK-RPR dienen zur Absperrung gegen Feuer und Rauch in einer Lüftungsanlage.

(16) Referenznummer: 09TH0026

(17) Besondere Bedingungen:

Die an- und eingebauten elektrischen Geräte müssen in geeigneter Weise explosionsgeschützt ausgeführt sein.

Es muss sichergestellt werden, dass alle metallischen Teile ordnungsgemäß und dauerhaft mit dem Erdpotential verbunden sind.

(18) Grundlegende Sicherheits- und Gesundheitsanforderungen:

Durch Übereinstimmung mit Normen abgedeckt.



Zertifizierungsstelle Explosionsschutz

H. Schaffer

Hamburg, 31.03.2020

Seite 2 von 2

Bescheinigungen ohne Unterschrift und Siegel haben keine Gültigkeit. Diese Bescheinigung darf nur unverändert weiterverbreitet werden. Auszüge oder Änderungen bedürfen der Genehmigung von Bureau Veritas Consumer Products Services Germany GmbH, EPS 09 ATEX 2 153 X, Revision 3.

FOREIGN BRANCH OFFICES

<p>Belgium SCHAKO S.A.R.L. 165, rue des Pommiers L-2343 Luxembourg Phone: +352 / 403 157 1 Fax: +352 / 403 157 66 info@schako.be www.schako.be</p>	<p>Denmark Venti AS Banevænget 3 8362 Hørning Phone: +45 / 86 92 22 66 Fax: +45 / 86 92 22 26 info@venti.dk www.venti.dk</p>	<p>England SCHAKO Ltd. Index House St Georges Lane, Ascot SL5 7EU Berkshire Phone: +44 / 13 44 63 63 89 Fax: +44 / 13 44 87 46 58 admin@schako.uk.com www.schako.co.uk</p>	<p>France SCHAKO s.a.r.l. 16 Boulevard de la Croix Rousse F-69001 Lyon Phone: +33 / 4 / 78 34 97 34 Fax: +33 / 4 / 78 34 97 31 contact@schako.fr www.schako.fr</p>
<p>Greece EUROPERSIS Odisea Androutsou 2 GR-56224 Evosmos/Tessaloniki Phone: +30 / 310 / 68 57 79 Fax: +30 / 310 / 75 76 13 info@europersis.gr www.europersis.gr</p>	<p>Israel Insupco Industrial Supply Ltd. 40 Hayarkon St. Yavne 811 00 Phone: +972 / 8 / 94 20 080 Fax: +972 / 8 / 94 20 311 insupco@netvision.net.il www.insupco.com</p>	<p>Italy SCHAKO Italia S.r.l. Via xxv Aprile, 17 20097 S.Donato Milanese-MI Phone: +39 / 02 / 51 64 02 01 Fax: +39 / 02 / 51 62 09 46 info@schako.it www.schako.it</p>	<p>Croatia Intel Trade Dr. Ante Mandica 10 HR-51410 Opatija Phone: +385 / 51 741 100 Fax: +385 / 51 701 470 ri@intel-trade.hr www.intel-trade.hr</p>
<p>Luxembourg SCHAKO S.A.R.L. 165, rue des Pommiers L-2343 Luxembourg Phone: +352 / 403 157 1 Fax: +352 / 403 157 66 info@schako.lu www.schako.lu</p>	<p>Netherlands SCHAKO S.A.R.L. 165, rue des Pommiers L-2343 Luxembourg Phone: +352 / 403 157 1 Fax: +352 / 403 157 66 Info@schako-nederland.nl www.schako-nederland.nl</p>	<p>Austria SCHAKO Vertriebs GmbH Mariahilfer Straße 103/1/TOP 12 A-1060 Wien Phone: +43 / 1 / 890 24 62 Fax: +43 / 1 / 890 24 62 50 info@schako.at www.schako.at</p>	<p>Poland SCHAKO Polska Sp. z o.o. ul. Pulawska 38 PL-05-500 Piaseczno Phone: +48 / 22 / 7263570 Fax: +48 / 22 / 7263571 info@schako.pl www.schako.pl</p>
<p>Romania SCHAKO Klima Luft SRL Str. Elena Caragiani nr.21 014212 Bucuresti, Phone: +40 / 0 / 21 / 232 13 75 Fax: +40 / 0 / 21 / 232 13 75 info@schakoromania.ro www.schako.ro</p>	<p>Sweden EXOTHERM AB Box 60036 21610 Limhamn Phone: +46 / 40 / 631 61 16 Fax: +46 / 40 / 15 60 95 info@exotherm.se www.exotherm.se</p>	<p>Switzerland SCHAKO Suisse SA Rue Jean-Prouvé 28 1762 Givisiez Phone: +41 / 26 / 460 88 00 Fax: +41 / 26 / 460 88 05 schako@schako.ch www.schako.ch</p>	<p>Serbia & Montenegro TERMOMEHANIKA d.o.o. Koste Glavinica 2 RS-11000 BEOGRAD Phone: +381 / 11 / 369 99 93 Fax: +381 / 11 / 369 09 93 termomehanika@sbb.rs www.termomehanika.rs</p>
<p>Slovakia SCHAKO SK s.r.o. Modrová 187 91635 Modrová Phone: +421 / 337 / 774 1843 Fax: +421 / 337 / 774 1843 schako@schako.sk www.schako.sk</p>	<p>Spain SCHAKO IBERIA S.L. Departamento de Ventas Pol. Ind. Río Gállego, Calle B, nave 3 50840 San Mateo de Gállego / Zaragoza Phone: +34 / 976 / 531 999 Fax: +34 / 976 / 690 709 ventas@schako.es www.schako.es</p>	<p>Czech Republic SCHAKO s.r.o. Pred Skalkami II. 184/5 CZ-10600 Praha 10-Zabehlice Phone: +42 / 02 / 727 680 43 Fax: +42 / 02 / 727 693 94 info@schako.cz www.schako.cz</p>	<p>Turkey EMO-SCHAKO Klima Havalandirma San. ve Tic. Ltd. Sti. Pursaklar Sanayi Sitesi, Karacaören Mah.1638.Cad. No:98 06145 Altindag - Ankara Phone: +90 / 312 527 16 05 Fax: +90 / 312 527 16 08 emo@emo-schako.com.tr www.emo-schako.com.tr</p>
<p>Hungary SCHAKO Kft. Tó Park 6 H-2045 Törökbálint Phone: +36 / 23 / 445670 Fax: +36 / 23 / 445679 e-mail@schako.hu www.schako.hu</p>			

LIST OF FIGURES/TABLES

List of figures

Figure 1: Dimensions BKA-EN	5
Figure 2: Dimensions of BKA-EN with actuator Ex-Max-5.10-BF (X14/X15).....	5
Figure 3: Circuit diagram actuator ExMax-5.10-BF (X14/X15)	7
Figure 4: Circuit diagram limit switch type ES-Ex	8
Figure 5: BKA-EN type plate.....	10

List of tables

Table 1: Available sizes [mm]	5
Table 2: Weight table [kg] BKA-EN L=375	6
Table 3: Weight table [kg] BKA-EN L=500	6
Table 4: Technical data actuator ExMax-5.10-BF (X14/X15)	7