



Assembly instruction

Audix[®]



Ferdinand Schad KG
Steigstraße 25-27
D-78600 Kolbingen
Phone +49 (0) 74 63 - 980 - 0
Fax +49 (0) 74 63 - 980 - 200
info@schako.de
www.schako.de

AUDIX® Assembly instruction

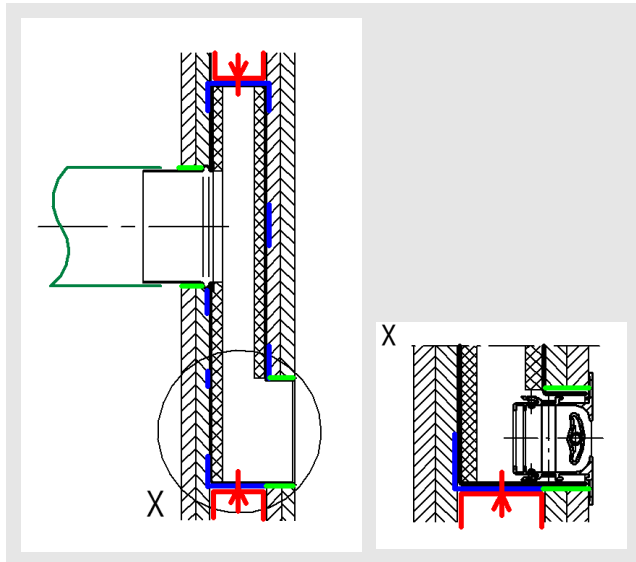
Description

When mounting cross-talk sound attenuators type AUDIX®, you have to make sure that no structure-borne sound is transmitted from the wall metal post construction or from the air duct connection.

- On-site mounting brackets and screws must be used for mounting to the wall C profiles (fixing lugs and mounting brackets upon request).
- The wall panelling may not be attached to the AUDIX®....
- After mounting, the upright section of the attenuator must not project from the panelling. To prevent secondary sound paths, the gap between the upright section of the attenuator and the panelling must be closed with a suitable permanently elastic material.
- Larger voids between the AUDIX®... and the wall C profiles must be filled with wall-insulating material.
- A cover (ÖA) prevents soiling of the AUDIX®... during interior reconstruction.
- Before the air diffuser is mounted, the AUDIX®... must be cleaned.
- The air diffuser, for example DSC, is mounted at the end.

Mounting examples

AUDIX®-R with DSC...



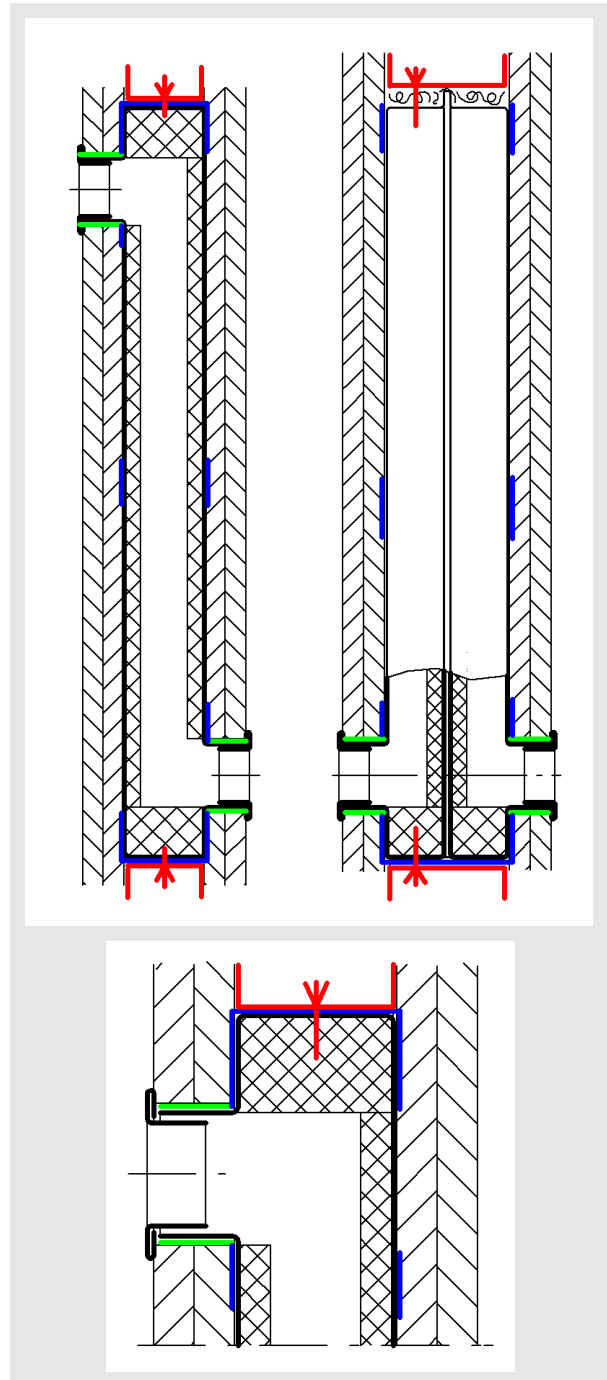
Flexible air duct connection

additional on-site sound-absorbing strips, if necessary

C wall profile

Gap between upright section of the attenuator and wall panelling must be closed with permanently elastic materials

AUDIX®-ÜSG...



Additional on-site sound-absorbing strips

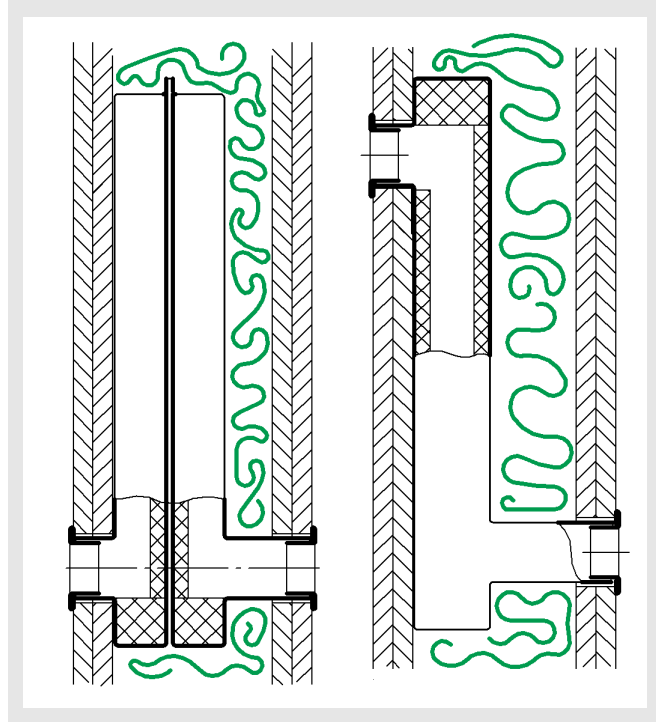
C wall profile

Gap between upright section of the attenuator and wall panelling must be closed with permanently elastic materials

AUDIX® Assembly instruction

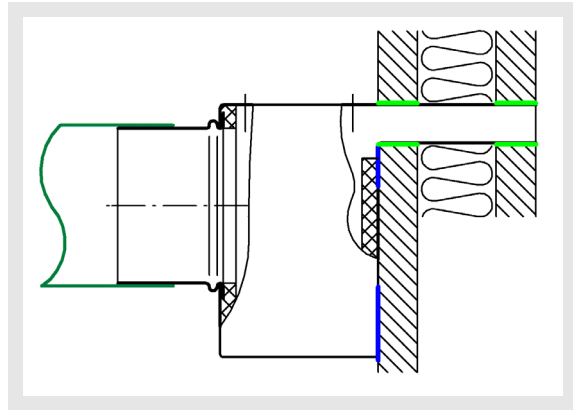
Box neck extension
AUDIX®-ÜSG-LG-KHV

AUDIX®-ÜSG-LV-KHV

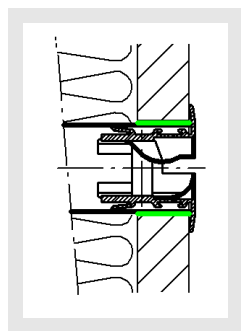


Fill voids with wall-insulating materials

AUDIX®-AW-R

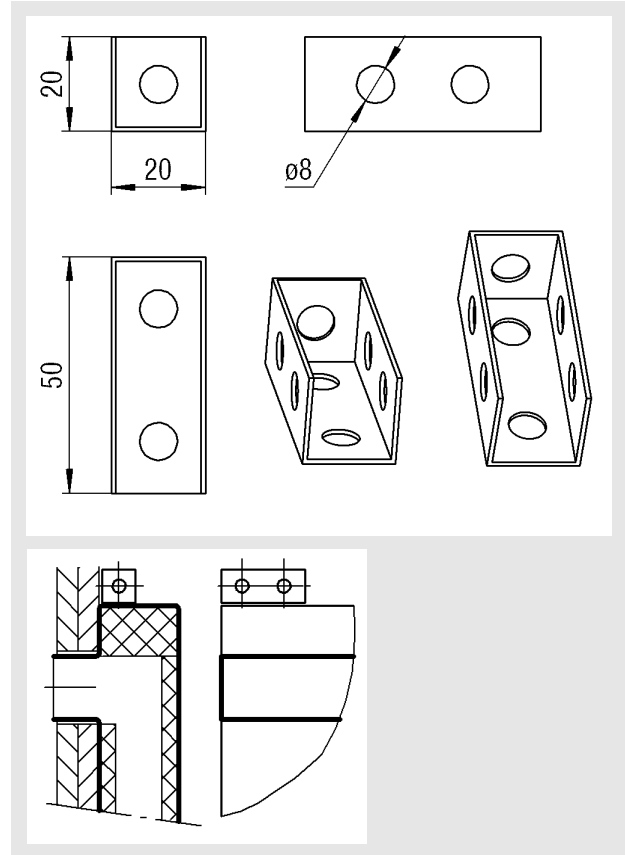


AUDIX®-AW-DSX-XXL-W-PB



Additional on-site sound-absorbing strips
Gap between upright section of the attenuator and wall panelling must be closed with permanently elastic materials

Mounting brackets and fixing lug upon request
Mounting bracket



Fixing lugs (-BL)

