



Weather Protection Grille

ALAS-F 125



Ferdinand Schad KG
Steigstraße 25-27
D-78600 Kolbingen
Telephone +49 (0) 74 63 - 980 - 0
Fax +49 (0) 74 63 - 980 - 200
info@schako.de
www.schako.de

Weather Protection Grille Model ALAS-F 125

Contents

Description	3
Construction	3
Accessories	3
Models and dimensions	3
Dimensions	3
Dimensions of accessories	5
Technical data	5
Pressure loss and noise level	5
Free cross-section in m ²	5
Legend	6
Ordering details	6
Specification texts	6

Weather Protection Grille Model ALAS-F 125

Description

The weather protection grille type ALAS-F 125 especially for facade installation, is used for covering large-area air intake or air outlet openings on exterior walls. Any number of parts can be mounted next to each other or above one another to give the optical impression of a circumferential band.

As standard the weather protection grille is supplied in single components. At an extra charge, the (individual) grille is also available mounted. Bands have to be joined on-site.

Special sizes optional.

The expansion joints must be allowed for on site when the grille is assembled. The blades are produced according to allowed production tolerances.

Construction

Blades

- Galvanised sheet steel
- Natural aluminium
- Aluminium natural colour anodised E6/EV1
- Stainless steel 1.4301 (V2A) painted in the colour sand silver

Wire mesh

- Galvanised sheet steel

Profiled mounting rails

- Galvanised sheet steel

Accessories

Cover plate (at an extra charge)

- Material same as the blades

Corner piece (-ES)

- Material same as the blades

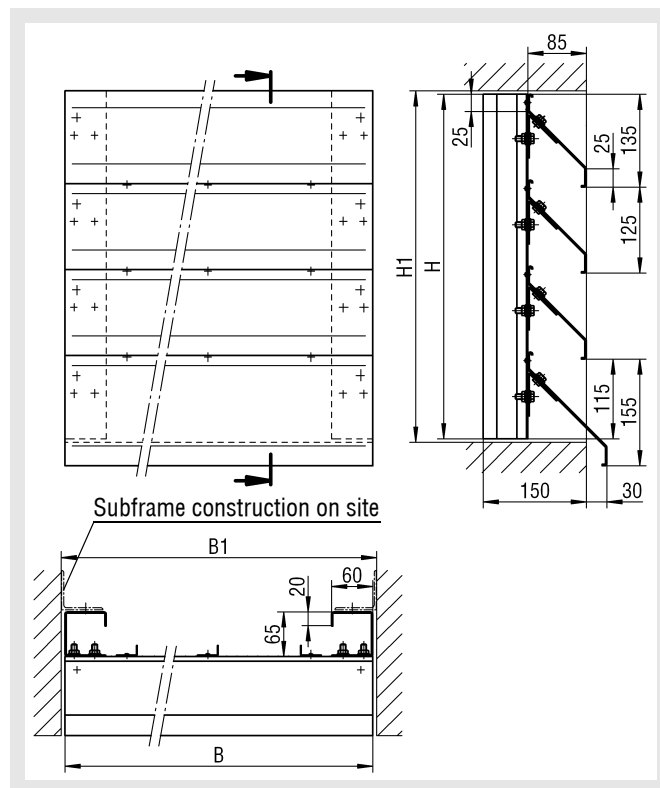
Attention!

We would like to point out that for cleaning stainless steel models, only suitable cleaning materials may be used!

Models and dimensions

Dimensions

ALAS-F 125



Available sizes

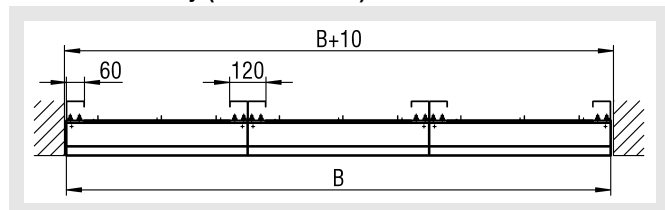
B	B1	H	H1	Number of blades
1000	1010	1000	1010	8
1200	1210	1250	1260	10
1400	1410	1500	1510	12
1600	1610	1750	1760	14
1800	1810	2000	2010	16
2000	2010			

All combined widths and heights available

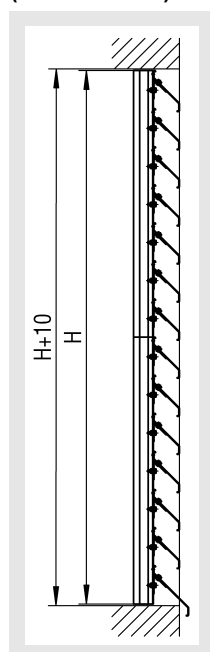
Weather Protection Grille Model ALAS-F 125

Band design

Divided vertically ($B > 2000$ mm)



Divided horizontally ($H > 2000$ mm)

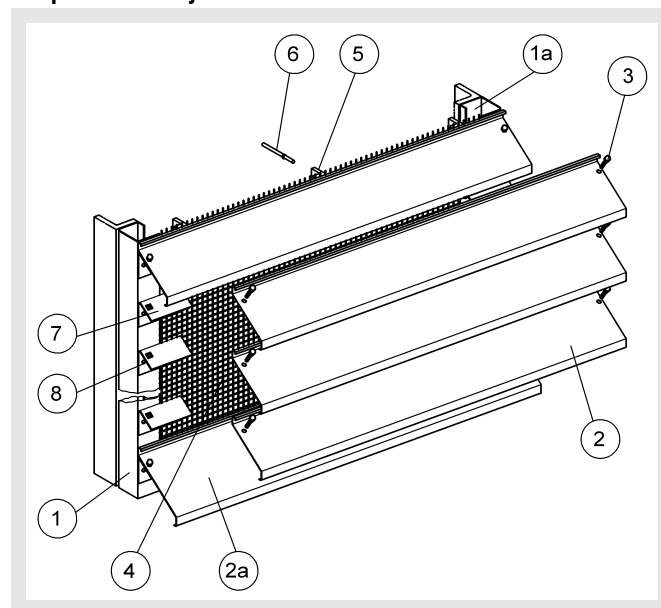


If weather protection grilles for facades are combined to form a band, allowance must be made for expansion joints during on-site assembly.

The weather protection grilles type ALAS-F 125 are constructed in one piece up to a width / height of 2000 mm and can be combined to form a band of any width / height.

With heights of over 1500 mm, wind stress must be taken into consideration with regard to the subframe construction. For special heights, the projection length of the end blade will change. It may be above the installation opening, requiring a cover plate (at an extra charge).

Scope of delivery



Parts marked with the above item numbers are included in the delivery:

- 1 Profiled mounting rails left, (sheet steel)
- 1a Support profile rail on the right, (sheet steel)
- 2 blade (sheet steel, aluminium or stainless steel)
- 2a End blade (sheet steel, aluminium or stainless steel)
- 3 M8 x 10 screws (galvanised steel)
- 4 Wire mesh (galvanized steel)
- 5 mounting angle for bird protection grille (sheet steel)
- 6 Pop rivets
- 7 Fixing angle (galvanised sheet steel)
- 8 M8 x 10 screws with nut

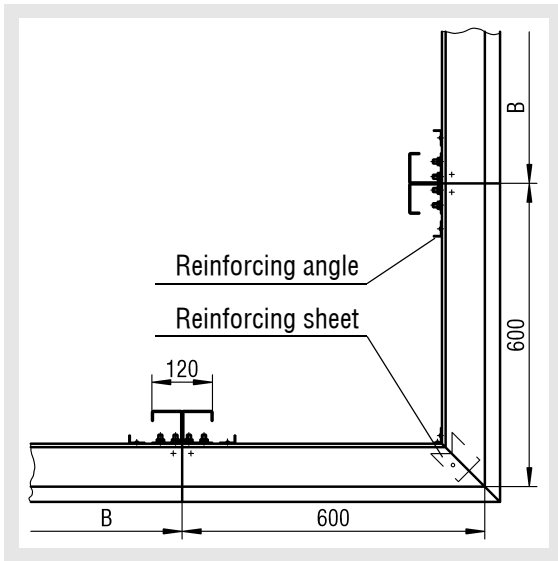
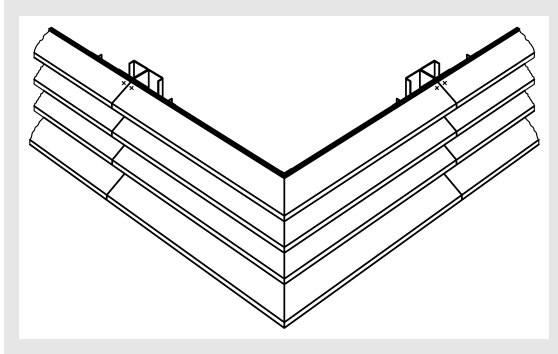
Mounting note:

The grille fastening points of the weather protection grilles type ALAS-F 125 pre-mounted in factory can be accessed through the inner wall opening.

Weather Protection Grille Model ALAS-F 125

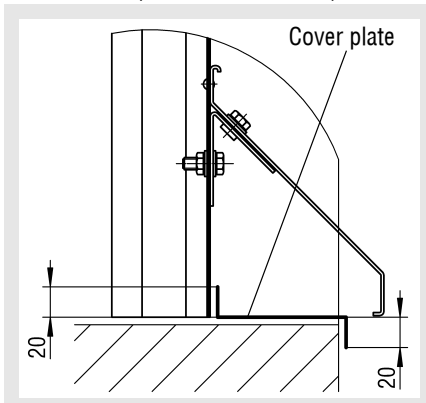
Dimensions of accessories

Corner connection



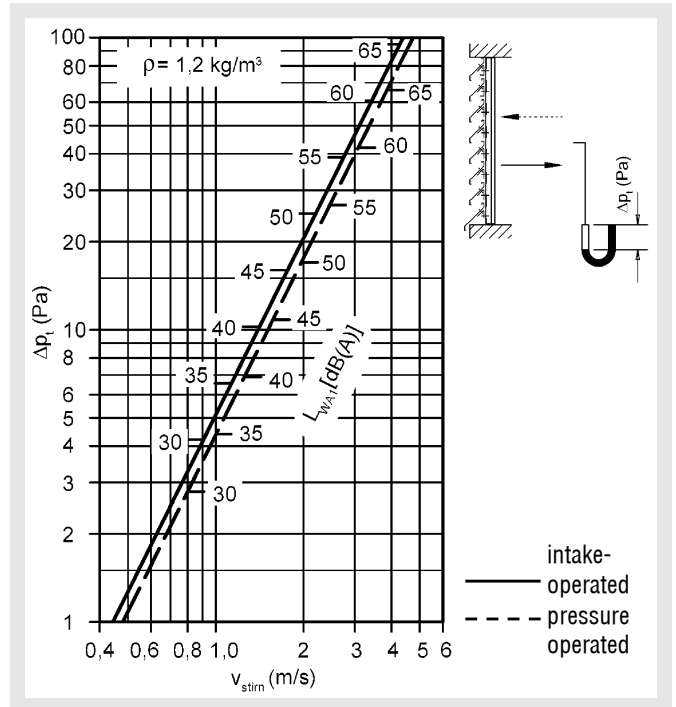
ALAS-F 125 corner pieces with a width of 600 / 600 mm and a height of up to 2000 mm are produced in one piece.

Cover plate (at an extra charge)



Technical data

Pressure loss and noise level



Free cross-section in m²

H	B					
	1000	1200	1400	1600	1800	2000
1000	0,4440	0,5328	0,6216	0,7104	0,7992	0,8880
1250	0,5680	0,6816	0,7952	0,9088	1,0224	1,1360
1500	0,6920	0,8304	0,9688	1,1072	1,2456	1,3840
1750	0,8160	0,9792	1,1424	1,3056	1,4688	1,6320
2000	0,9400	1,1280	1,3160	1,5040	1,6920	1,8800
FQ (m²)						

Correction factor

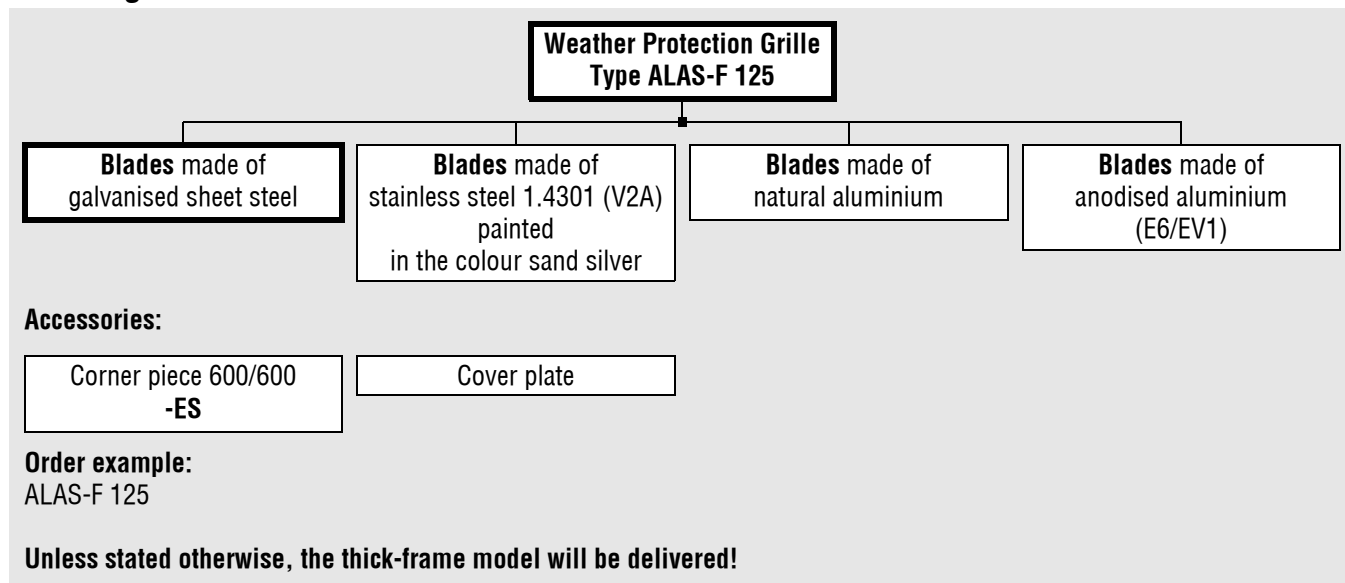
A _{stirn} (m ²)	0,5	1	2	3	4	5	6	7	8
KF (-)	-3	0	+3	+4,8	+6	+7	+7,8	+8,5	+9

Weather Protection Grille Model ALAS-F 125

Legend

Δp_t	(Pa)	= Pressure loss
KF	(-)	= Correction factor
L_{WA1}	[dB(A)]	= A-weighted sound power level, relative to 1 m ²
L_{WA}	[dB(A)]	= A-weighted sound power level [$L_{WA} = L_{WA1} + KF$]
A	(m ²)	= Inflow area
v_{stirn}	(m/s)	= Intake velocity, blower stream velocity, out-flow velocity, relative to (H - 135) x B
ρ	(kg/m ³)	= Density
FQ	(m ²)	= Free cross-section
H	(mm)	= Height
B	(mm)	= Width

Ordering details



Specification texts

Weather protection grilles type ALAS-F 125 especially for facade mounting with fixed rain-repellent blades and back-fitted wire mesh. Louvres made of galvanised sheet steel, aluminium without surface treatment, aluminium natural colour anodised (E6/EV1) or stainless steel 1.4301 (V2A), painted in the colour sand silver. With carrier profile and wire mesh of galvanised sheet steel.
Product: SCHAKO type **ALAS-F 125**

Accessories:

- Cover plate
- Corner piece (-ES), 600 / 600 mm