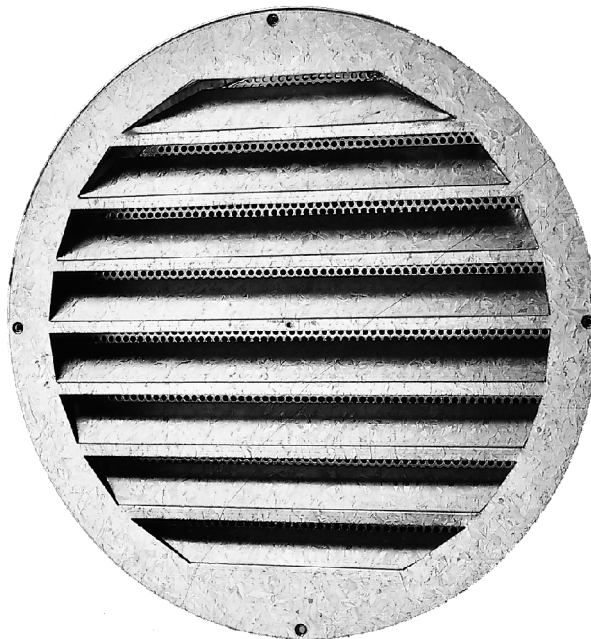




Weather protection grille

ALAR



SCHAKO KG
Steigstraße 25-27
D-78600 Kolbingen
Telephone +49 (0) 74 63 - 980 - 0
Fax +49 (0) 74 63 - 980 - 200
info@schako.de
schako.com

Weather protection grille ALAR

Contents

Description	3
Construction	3
Fastening	3
Models and dimensions	3
Dimensions	3
Technical data	4
Pressure loss and noise level	4
Face velocity	4
Legend	4
Order code	5
Specification texts	6

Weather protection grille ALAR

Description

Intake and exhaust openings of an air-conditioning and ventilation equipment must be protected against rain, snow or birds entering. To do this, weather resistant grilles are used. The weather protection grille type ALAR **in round design** offers the best possible protection because of its fixed, rain-repellent blades and a back-fitted bird protection grille made of a perforated plate.

Construction

Frame and blades

- Galvanised sheet steel (-SV, standard)
- without paint (-0000, not possible for -SB)
- Painted sheet steel (-SB)
- painted, RAL colour can be freely selected (-xxxx) (always with 4 digits) (not possible for -SV)
- Stainless steel 1.4301 (-V2)
- untreated, not painted (-0000, standard for -V2)
- painted, RAL colour can be freely selected (-xxxx) (always with 4 digits)
- painted in the colour sand silver (-SAND)

Stainless steel 1.4571 (-V4)

- untreated, not painted (-0000, standard for -V4)
- painted, RAL colour can be freely selected (-xxxx) (always with 4 digits)
- painted in the colour sand silver (-SAND)
- Aluminium (-AL)
- untreated, not painted (-0000, standard for -AL)
- painted to the colour RAL 9006, white aluminium (-9006 only possible for -AL)
- painted, RAL colour can be freely selected (-xxxx) (always with 4 digits)

Bird protection grille

- Perforated plate 8x8 mm, made of galvanised sheet steel

Fastening

screw mounting

- Frame part with screw holes (screws provided on site)

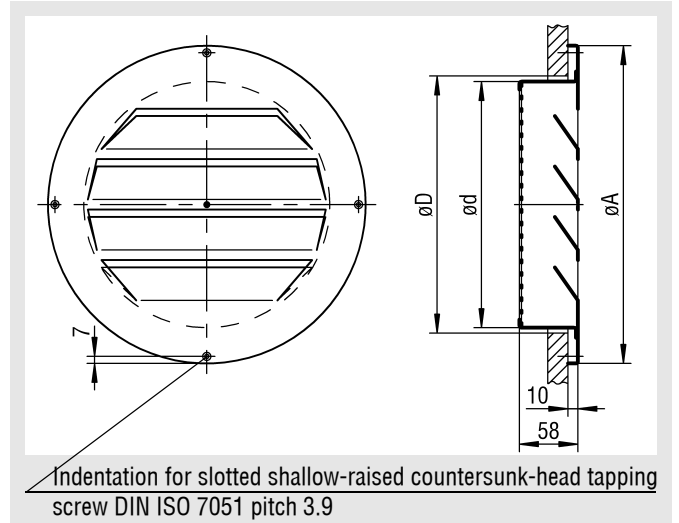
Attention!

We would like to point out that for cleaning stainless steel models, only suitable cleaning materials may be used!

Models and dimensions

Dimensions

Weather protection grille type ALAR-...



Available sizes ALAR-...

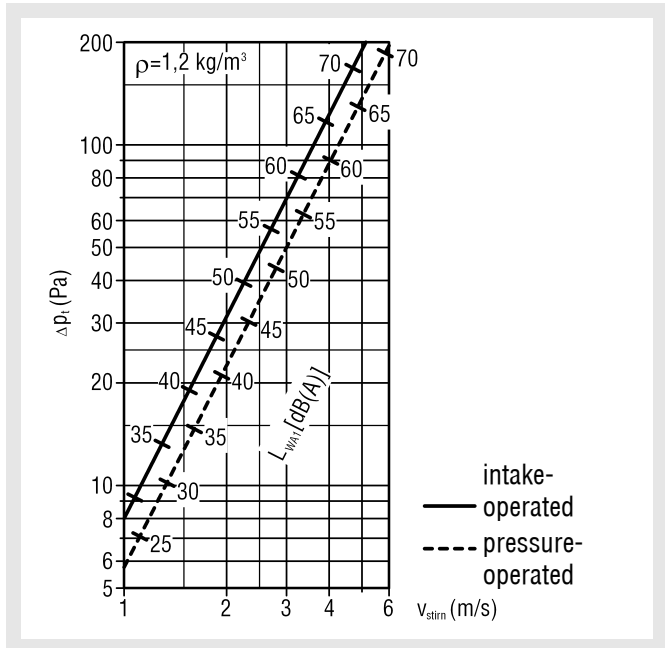
Nominal width	ød	øD	øA	Number of blades
200	198	210	270	4
224	222	235	294	4
250	248	260	320	4
280	278	290	350	6
315	313	325	385	6
355	353	365	425	6
400	398	410	470	8
450	448	460	520	8
500	498	510	570	10
560	558	570	630	10
630	625	640	700	12
710	708	720	780	14
800	798	810	870	16
900	898	910	970	18

No special sizes available!

Weather protection grille ALAR

Technical data

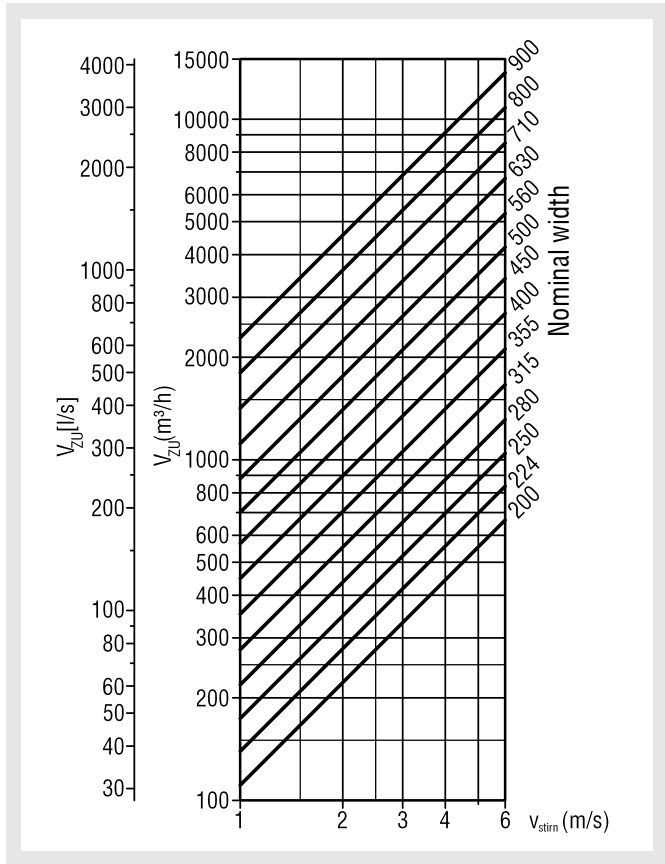
Pressure loss and noise level



Legend

- V_{ZU} (m^3/h) [l/s] = Supply air volume
- v_{stirn} (m/s) = Intake velocity, blower stream velocity, outflow velocity, relative to A_{stirn}
- ρ (kg/m^3) = Density
- Δp_t (Pa) = Pressure loss
- L_{WA} [dB(A)] = A-weighted sound power level ($L_{WA} = L_{WA1} + KF$)
- L_{WA1} [dB(A)] = A-weighted sound power level, relative to one parameter
- KF (-) = Correction factor
- NW (mm) = Nominal width

Face velocity



Correction factor (KF)

NW	200	224	250	280	315	355	400	450	500	560	630	710	800	900
KF	-12	-11	-10	-9	-8	-7	-6	-5	-4	-3	-2	-1	0	+1

$$L_{WA} = L_{WA1} + KF$$

Weather protection grille ALAR

Order code

01	02	03	04
ALAR	Nominal width	Material	Paint
Example			
ALAR	-250	-SV	-0000

All fields must be filled when ordering.

Sample

ALAR-250-SV-0000

Weather protection grille ALAR, round model | nominal width 250 mm | galvanised sheet steel | without paint

Order details

01 - Type

ALAR = Weather protection grille ALAR, round model

02 - Nominal width

200 = 200 mm
 224 = 224 mm
 250 = 250 mm
 280 = 280 mm
 315 = 315 mm
 355 = 355 mm
 400 = 400 mm
 450 = 450 mm
 500 = 500 mm
 560 = 560 mm
 630 = 630 mm
 710 = 710 mm
 800 = 800 mm
 900 = 900 mm

No special sizes available!

03 - Material

SV = Galvanised sheet steel (standard)
 SB = Painted sheet steel
 AL = Aluminium
 V2 = stainless steel 1.4301 (V2A)
 V4 = Stainless steel 1.4571 (V4A)

The bird protection grille is always made of galvanised sheet steel!

04 - Paint

0000 = without paint (standard) (not possible for -SB)
 9006 = painted to the colour RAL 9006 (white aluminium, only possible for -AL)
 SAND = powder-coated in the colour sand silver (only possible for -V2 and -V4)
 xxxx = painted to a freely selectable RAL colour (always with 3 digits) (not possible for -SV)

Weather protection grille ALAR

Specification texts

Weather protection grille type ALAR-... in round design consisting of L-formed profiled frame and horizontal, fixed, rain-repellent blades, distance 50 mm, with fastening holes and back-fitted bird protection grille made of 8x8 mm galvanised perforated plate.

Product: SCHAKO type ALAR-...

Dimensions:

- Nominal width (-xxx)
200 - 224 - 250 - 280 - 315 - 355 - 400 - 450 - 500 - 560 - 630 - 710 - 800 - 900 (in mm, always with 3 digits)
- No special sizes available!

Material (frame and blades) and paint

- made of galvanised sheet steel (-SV, standard)
 - without paint (-0000, not possible for -SB)
- made of painted sheet steel (-SB)
 - painted, RAL colour can be freely selected (-xxxx) (always with 4 digits) (not possible for -SV)
- made of stainless steel 1.4301 (-V2)
 - untreated, not painted (-0000, standard for -V2)
 - painted, RAL colour can be freely selected (-xxxx) (always with 4 digits)
 - painted in the colour sand silver (-SAND)
- made of stainless steel 1.4571 (-V4)
 - untreated, not painted (-0000, standard for -V4)
 - painted, RAL colour can be freely selected (-xxxx) (always with 4 digits)
 - painted in the colour sand silver (-SAND)
- made of aluminium (-AL)
 - untreated, not painted (-0000, standard for -AL)
 - painted to the colour RAL 9006, white aluminium (-9006 only possible for -AL)
 - painted, RAL colour can be freely selected (-xxxx) (always with 4 digits)

Bird protection grille

- Perforated plate 8x8 mm, made of galvanised sheet steel