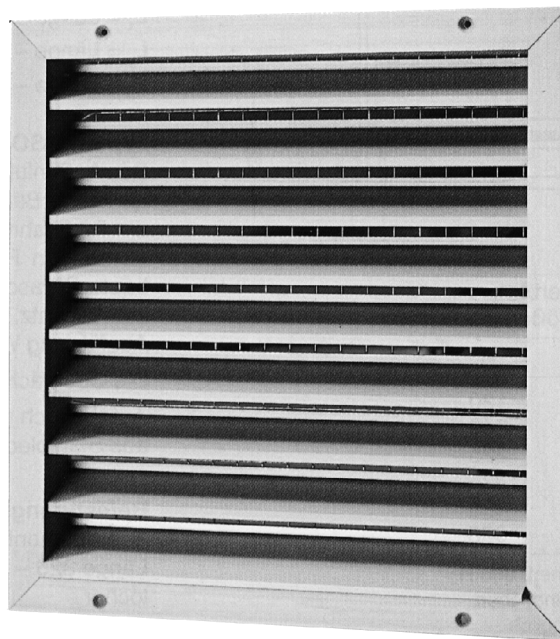




Weather Protection Grille

ALA-SO



Ferdinand Schad KG
Steigstraße 25-27
D-78600 Kolbingen
Telephone +49 (0) 74 63 - 980 - 0
Fax +49 (0) 74 63 - 980 - 200
info@schako.de
www.schako.de

Weather Protection Grille ALA-SO

Contents

Description	3
Construction	3
Accessories	3
Fastening	3
Models and dimensions	3
Dimensions	3
Dimensions of accessories	4
Technical Data	4
Pressure loss	4
Legend	4
Specification texts	4

Weather Protection Grille ALA-SO

Description

The external air intake grille type ALA-SO is particularly suitable for small construction sizes. With its aluminium profile frame and the fixed rain-repellent aluminium profile blades with back-fitted wire mesh made of galvanised sheet steel, it is used wherever an architectural design is important.

The surface is pickled and conserved natural coloured.

On request, a masonry frame made of galvanised sheet steel can be supplied at an extra charge.

Construction

Blades

- Anodised natural colour aluminium profile E6/EV1

Wire mesh grille

- Galvanised steel

Frame

- Anodised natural colour aluminium profile E6/EV1

Accessories

Mounting frame (-E1)

- Sheet steel electrolytically galvanised and perforated (un-perforated if pre-ordered)

Fastening

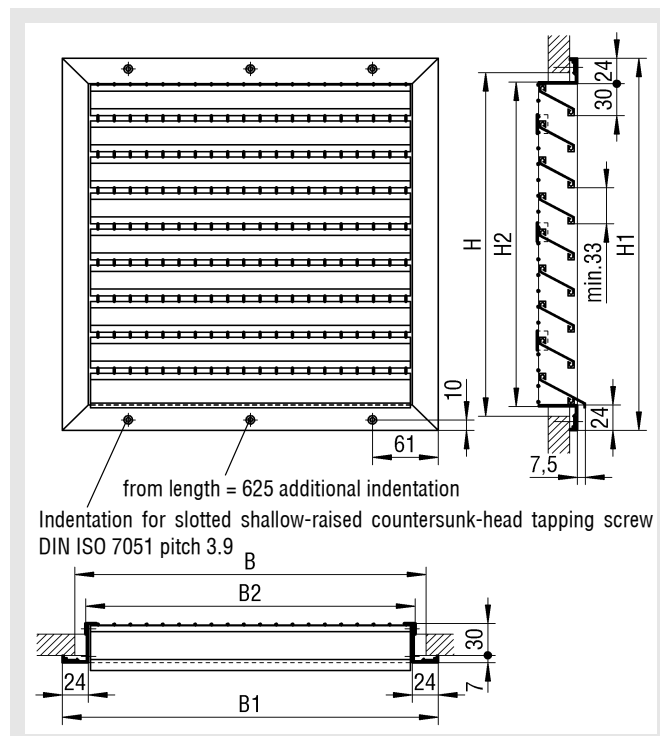
Screw mounting (-SM)

- with 4 or from L = 625 with 6 slotted shallow-raised countersunk-head tapping screws

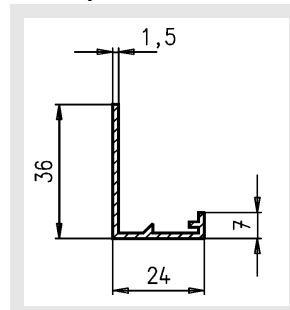
Models and dimensions

Dimensions

ALA-SO



Frame profile



Available sizes

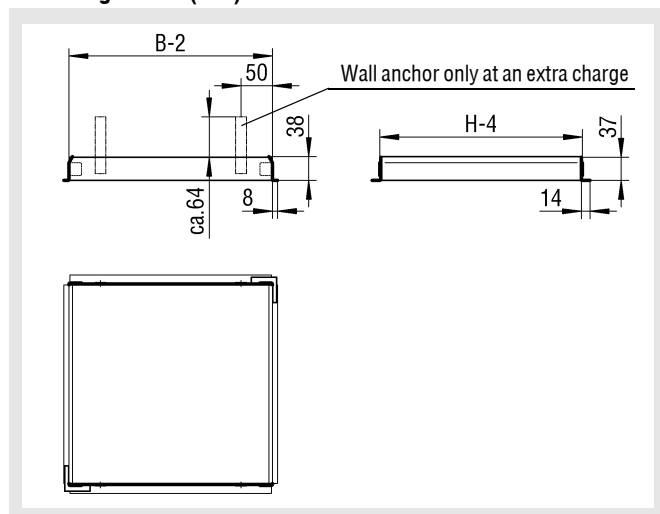
B	B1	B2	H	H1	H2
190	213	174	190	217	173
240	263	224	225	252	208
325	348	309	240	267	223
425	448	409	325	352	308
525	548	509	425	452	408
625	648	609	525	552	508

All combined lengths and heights available!
Special dimensions are not possible!

Weather Protection Grille ALA-SO

Dimensions of accessories

Mounting frame (-E1)



If the mounting frame is pre-delivered, it is only available unperforated.

Legend

Δp_t	(Pa)	= Pressure loss
v	(m/s)	= Inflow velocity
L	(mm)	= Length
H	(mm)	= Height

Specification texts

External air intake grille type ALA-SO especially designed for small construction sizes, with fixed rain-repellent blades and back-fitted wire mesh. Frame and blades made of anodised natural colour aluminium profiles (E6/EV1). Wire mesh grid made of galvanised sheet steel.

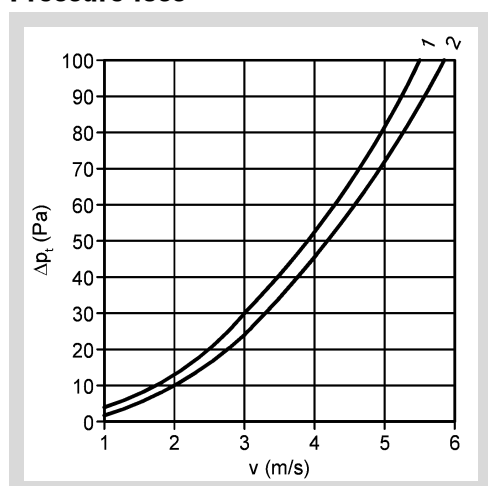
Product: SCHAKO type **ALA-SO**

Accessories:

- Mounting frame (-E1) made of electrolytically galvanised sheet steel, perforated (unperforated if pre-ordered)

Technical Data

Pressure loss



1 = intake operated
2 = pressure operated

The velocity v refers to the dimension (L - 25) × (H - 51mm)